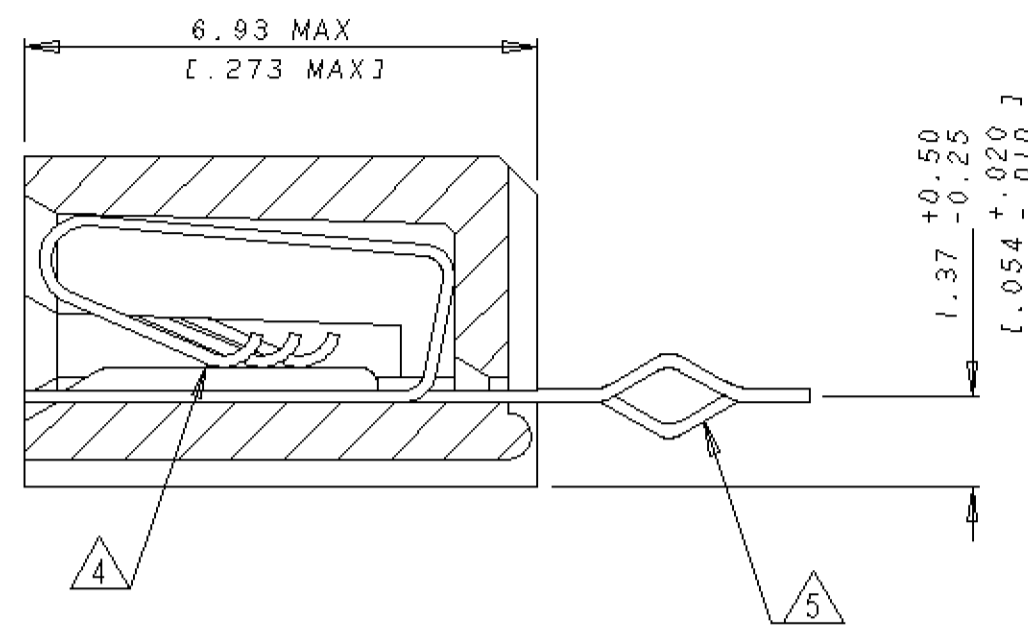
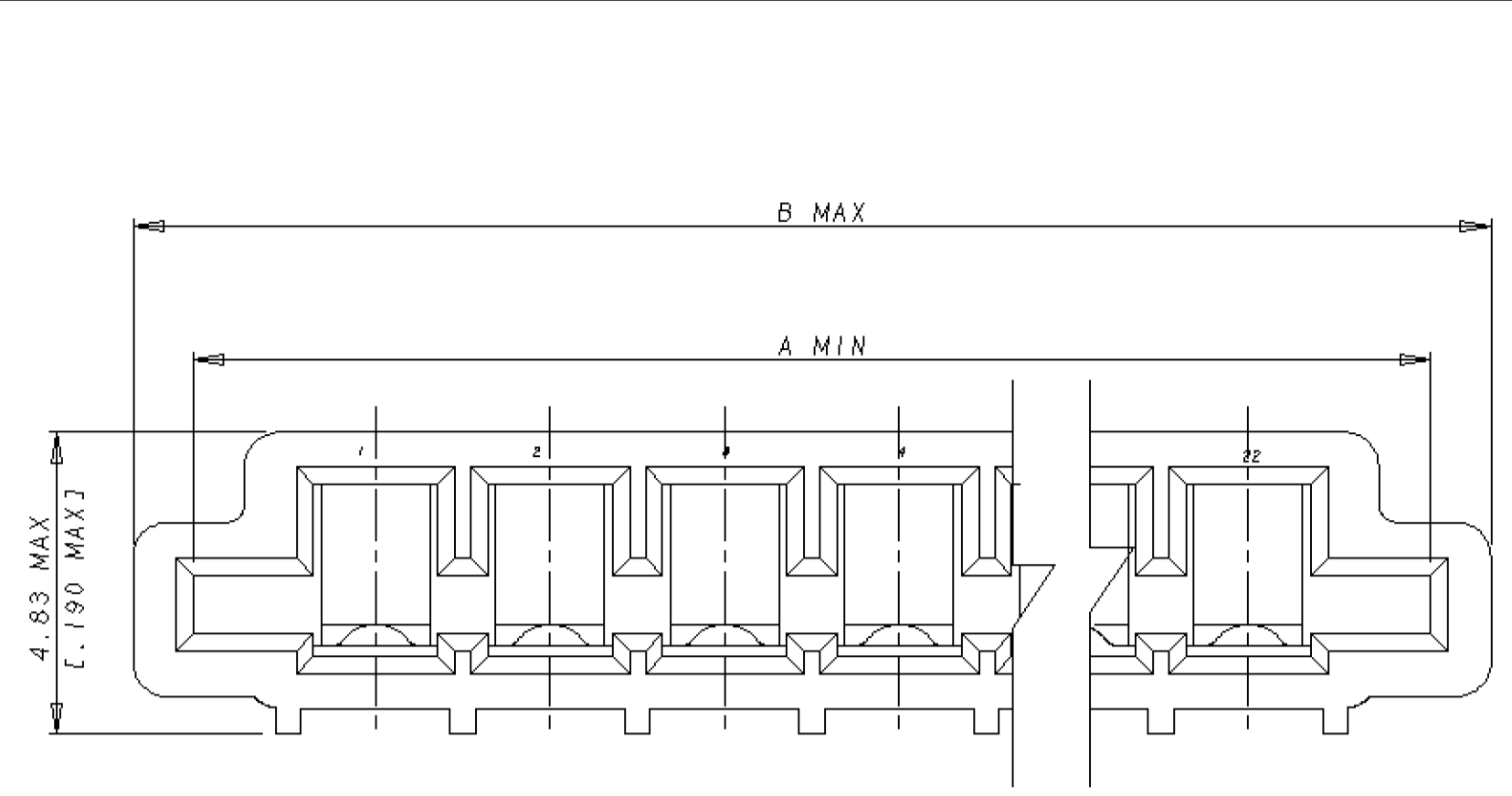
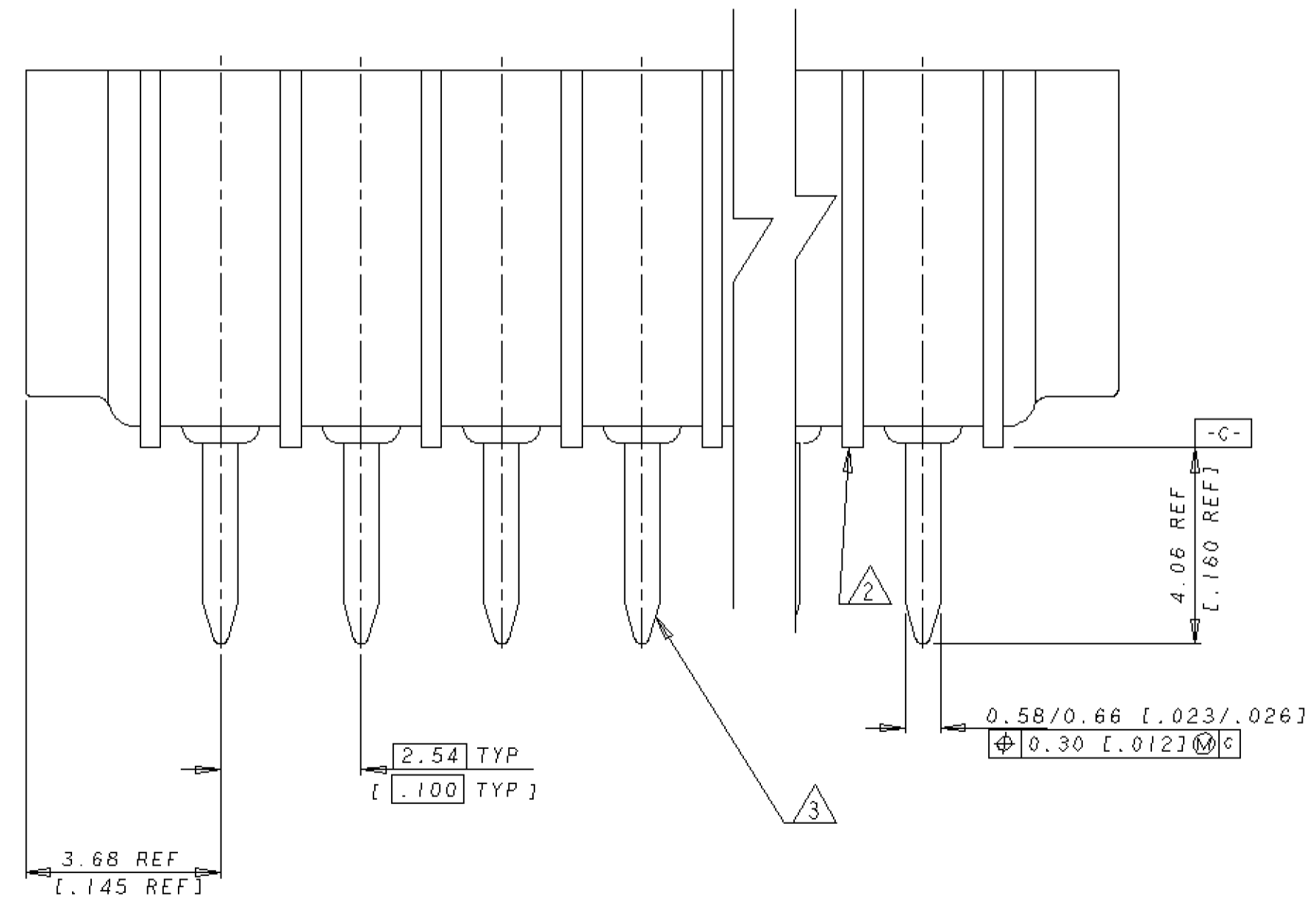


NUMBER 487509
METRIC
(3/4 ANGLE PROJECTION)



- NOTES
- CONNECTOR WILL ACCEPT FLEXIBLE PRINTED CIRCUIT OR FLAT FLEXIBLE CABLE ON 2.54 [1.00] CENTERS IN A THICKNESS RANGE OF 0.127 TO 0.381 [0.005 TO .015] IN CONTACT AREA
 - STAND-OFFS PREVENT SOLVENT ENTRAPMENT
 - LEAD-IN ON PINS FOR EASE OF INSERTION INTO BOARD
 - SEQUENTIAL CONTACTS REDUCE CABLE INSERTION FORCE
 - ALTERNATING CONTACT FORM RETAINS CONNECTOR IN P.C. BOARD DURING SOLDER OPERATION
 - ACCEPTS CABLE OR CIRCUITRY WITH EXPOSED CONDUCTORS FACING TOWARD OR AWAY FROM THE BOARD SURFACE
 - REFER TO APPLICATION SPEC 114-2062
 - MATERIAL
HOUSING : GLASS REINFORCED POLYESTER
THERMOPLASTIC UL 94 VO RATED, BLACK
CONTACT : PHOSPHOR BRONZE
 - CONNECTOR IS HIGH NORMAL PROCE
 - MATTE TIN 0.005 [0.002] MIN THK OVER COPPER 0.003 [0.0015] MIN THK ON ENTIRE CONTACT
 - OBSOLETE PARTS: OBSOLETE CIS STREAMLINING PER D.RENAUD/D.SINISI



LEAD FREE					SUPERSEDED	
	PART NO	B	A	POS	PART NO	
OBSOLETE	7- 487509-1	60.78 [2.393]	58.57 [2.306]	22	2-487509-1	
OBSOLETE	7- 487509-0	58.24 [2.293]	56.03 [2.206]	21	2-487509-0	
	6- 487509-9	55.70 [2.193]	53.49 [2.106]	20	1-487509-9	
	6- 487509-8	53.16 [2.093]	50.95 [2.006]	19	1-487509-8	
OBSOLETE	6- 487509-7	50.62 [1.993]	48.41 [1.906]	18	1-487509-7	
	6- 487509-6	48.08 [1.893]	45.87 [1.806]	17	1-487509-6	
OBSOLETE	6- 487509-5	45.54 [1.793]	43.33 [1.706]	16	1-487509-5	
OBSOLETE	6- 487509-4	43.00 [1.693]	40.79 [1.606]	15	1-487509-4	
	6- 487509-3	40.46 [1.593]	38.25 [1.506]	14	1-487509-3	
OBSOLETE	6- 487509-2	37.92 [1.493]	35.71 [1.406]	13	1-487509-2	
	6- 487509-1	35.38 [1.393]	33.17 [1.306]	12	1-487509-1	
	6- 487509-0	32.84 [1.293]	30.63 [1.206]	11	1-487509-0	
OBSOLETE	5- 487509-9	30.30 [1.193]	28.09 [1.106]	10	487509-9	
	5- 487509-8	27.76 [1.093]	25.55 [1.006]	9	487509-8	
	5- 487509-7	25.22 [.993]	23.01 [.906]	8	487509-7	
	5- 487509-6	22.68 [.893]	20.47 [.806]	7	487509-6	
	5- 487509-5	20.14 [.793]	17.93 [.706]	6	487509-5	
	5- 487509-4	17.60 [.693]	15.39 [.606]	5	487509-4	
	5- 487509-3	15.06 [.593]	12.85 [.506]	4	487509-3	
	5- 487509-2	12.52 [.493]	10.31 [.406]	3	487509-2	
	5- 487509-1	9.98 [.393]	7.77 [.306]	2	487509-1	

E3 ECR-10-022530		KK HMR	07/08/11	(WIRE RANGE)	(INSULATION DIA.)	(NAME)	TRIO-MATE
E2 REVISED PER ECO-09-026346		KK AEG	27/NOV/09	mm ² (AWG -)	- mm		VERTICAL CABLE ENTRY
E1 REVISED AS PER ECR-06-04332		PM KS	21/FEB/08	(MATERIAL)	(FINISH)		FOR 1.57 [0.062] THK P.C. BOARD
E REVISED FROM-0011-04		SD PCH	19/FEB/04			(GENERAL TOLERANCE)	SIZE LOC (No.)
D REVISED FP08-0003-01		LWY TAP	03/JAN/11	DR. WYLEE 30.7.93	DE. A.SOH	±0.38	A2 DY 487509
LTR (REVISION RECORD)		DR CHK DATE		CHK. SALLY 30.7.93	APP. RICHARD TAN	[±.015]	(SCALE) 10:1 REV. E3 SHEET 1 OF 1

PRINT DIST
DIMENSIONS IN MM [INCHES]. DO NOT SCALE PRINT

单击下面可查看定价，库存，交付和生命周期等信息

[>>TE Connectivity\(泰科\)](#)