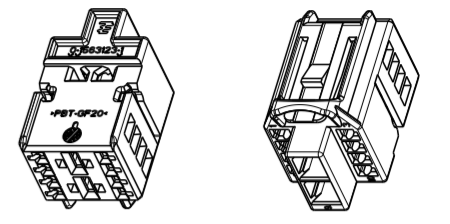
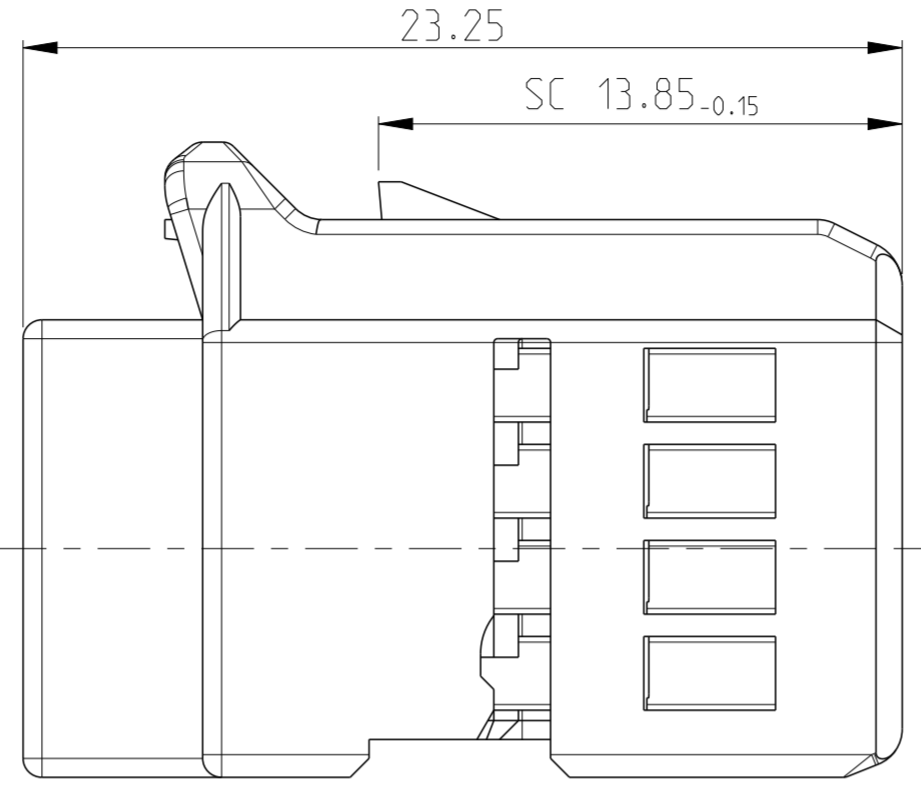
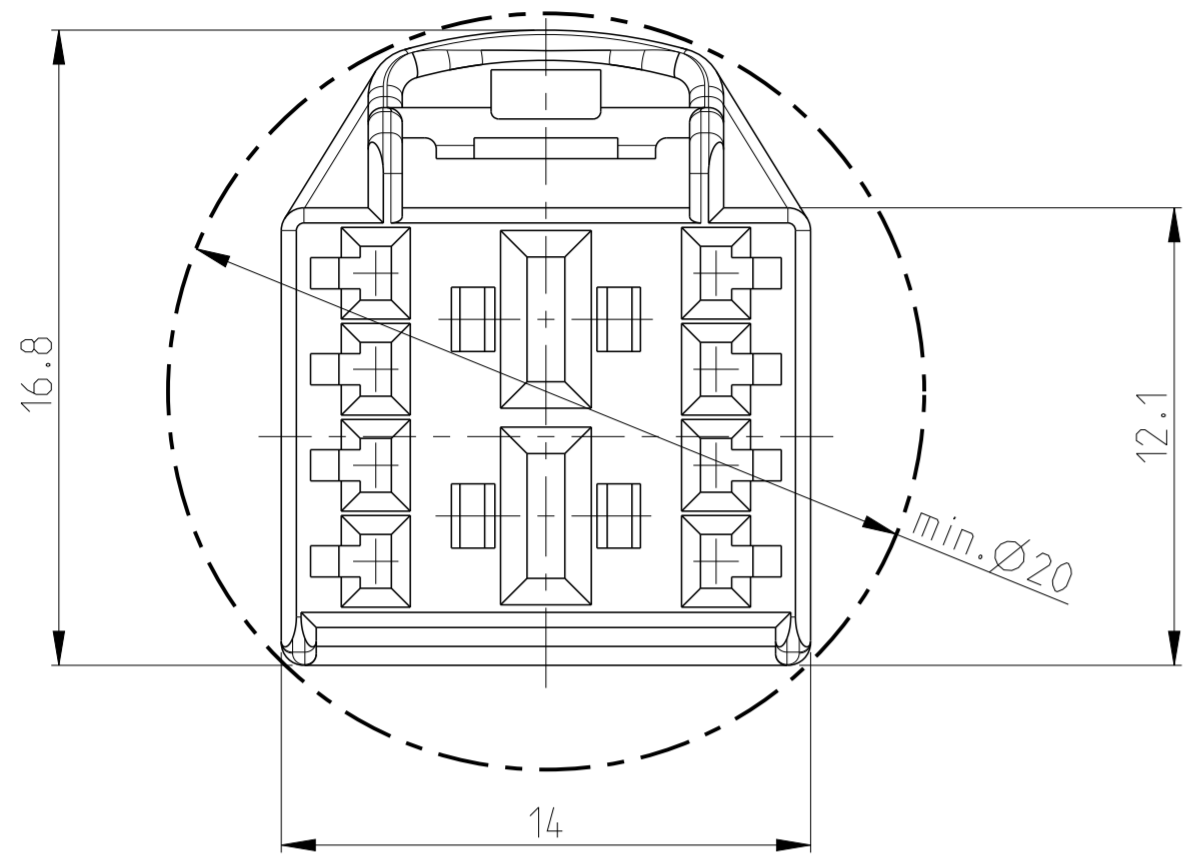
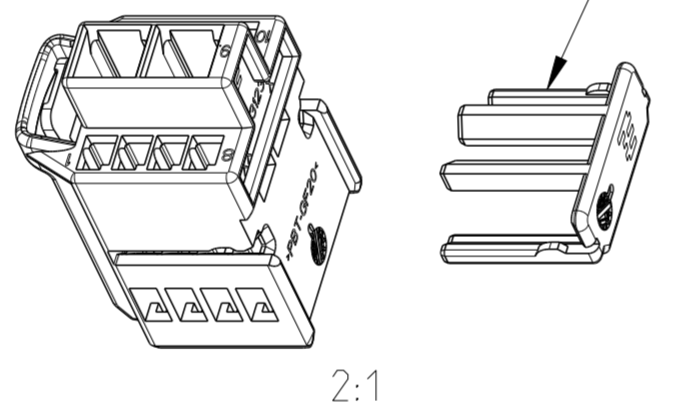
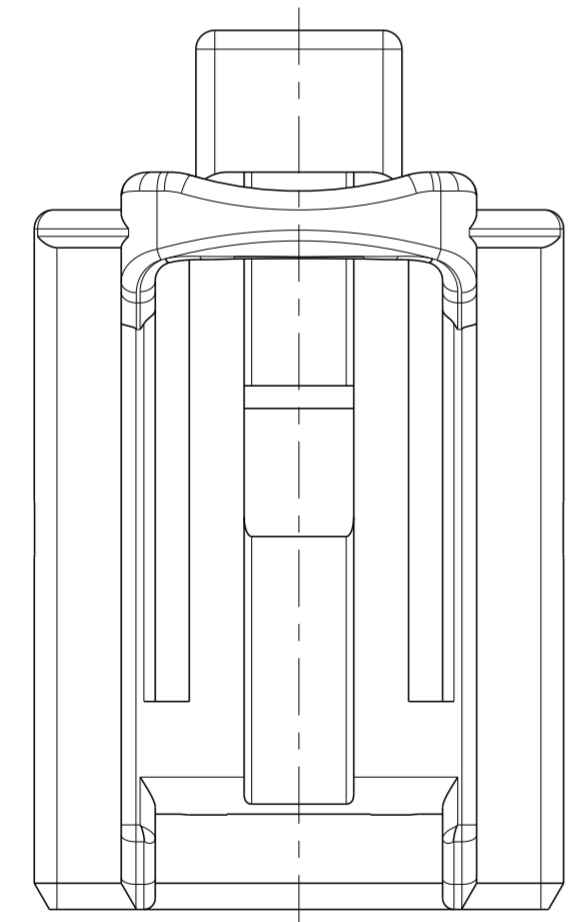


THIS DRAWING IS UNPUBLISHED. RELEASED FOR PUBLICATION 2007
 © COPYRIGHT 2007 BY TYCO ELECTRONICS CORPORATION. ALL RIGHTS RESERVED.

LOC	DIST	REVISIONS			
P	LTR	DESCRIPTION	DATE	DWN	APVD
A1		ECR-07-029993	12DEC2007	GP	GM
A2		ECR-09-023140	22OCT2009	GP	GM
A3		ECR-10-008573	21APR2010	GP	GM
A4		ECR-17-010498	19JUL2017	KC	PT



1:1



SECONDARY LOCK TO BE MOUNTED BY HARNESSMAKER AFTER CONTACT INSERTION:
 Zweite Kontaktsicherung wird nach Kontaktbestuekung durch den Kabelkonfektionaeer montiert:

0-1563124-1
 10POS MIXED SECONDARY LOCK

DELIVERY CONDITION:
PARTS UNMOUNTED EACH IN SEPERATE BOXES.
SECONDARY LOCK TO BE ORDERED SEPERATELY !

Anlieferungszustand:
Teile werden separat geliefert.
Zweite Kontaktsicherung muss separat bestellt werden !

NOTES:
 Bemerkungen:
 1 MATED WITH TE-PN: 0-1563125-1
 Verwendet mit TE-PN: 0-1563125-1
 SC SIGNIFICANT CHARACTERISTIC
 Significantes Merkmal

PART NO	DESCRIPTION	COLOUR	ITEM NO
0-1563123-2	10POS. MIXED RECEPTACLE HOUSING	NATURE	1
0-1563123-1	10POS. MIXED RECEPTACLE HOUSING	BLACK SIMILAR RAL9011	1

APPLICABLE TERMINALS verwendete Kontakte		
DESCRIPTION Beschreibung	FINISH Oberflaeche	TERMINALS TE-NO. Kontakte TE-Nr.
MCON 1.2 LL TERMINAL-FEMALE (0.25mm ² -0.35mm ²) WITH INS.Ø1.1-Ø1.75	TIN PLATE	0-1452653-1
MCON 1.2 LL TERMINAL-FEMALE (0.5mm ² -0.75mm ²) WITH INS.Ø1.4-Ø1.9	TIN PLATE	0-1452656-1
MCP2.8K TYPE A TERMINAL-FEMALE (0.2mm ² -0.35mm ²) WITH INS.Ø1.15-Ø1.4	TIN PLATE	0-1241386-1
MCP2.8K TYPE A TERMINAL-FEMALE (0.5mm ² -1.0mm ²) WITH INS.Ø1.4-Ø2.1	TIN PLATE	0-1241388-1
MCP2.8K TYPE A TERMINAL-FEMALE (>1.0mm ² -2.5mm ²) WITH INS.Ø2.2-Ø3.0	TIN PLATE	0-1241390-1

THIS DRAWING IS A CONTROLLED DOCUMENT FOR TYCO ELECTRONICS CORPORATION IT IS SUBJECT TO CHANGE AND THE CONTROLLING ENGINEERING ORGANIZATION SHOULD BE CONTACTED FOR THE LATEST REVISION.

DWN: G.PUCKEL 27AUG2007
 CHK: K.ROTH 27AUG2007
 APVD: G.MUMPER 27AUG2007

Tyco Electronics AMP GmbH
 64625 Bensheim (Germany)

NAME: 10POS MIXED RECEPTACLE HOUSING
 8 x MCON1.2 AND 2 x MCP2.8

SIZE: A2 CAGE CODE: 00779 DRAWING NO: 114-18923 (A4) RESTRICTED TO: -

SCALE: 5:1 SHEET: 1 OF 1 REV: A4

单击下面可查看定价，库存，交付和生命周期等信息

[>>TE Connectivity\(泰科\)](#)