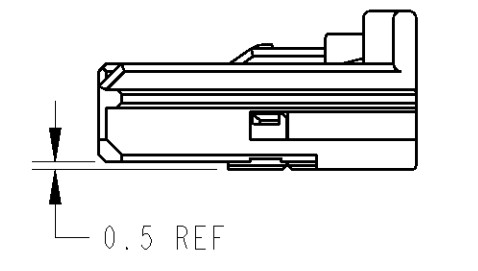
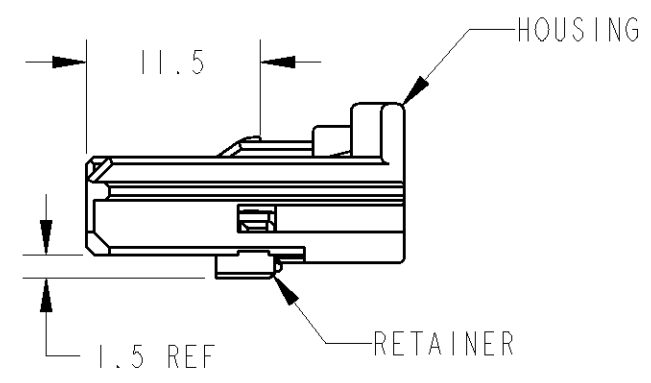
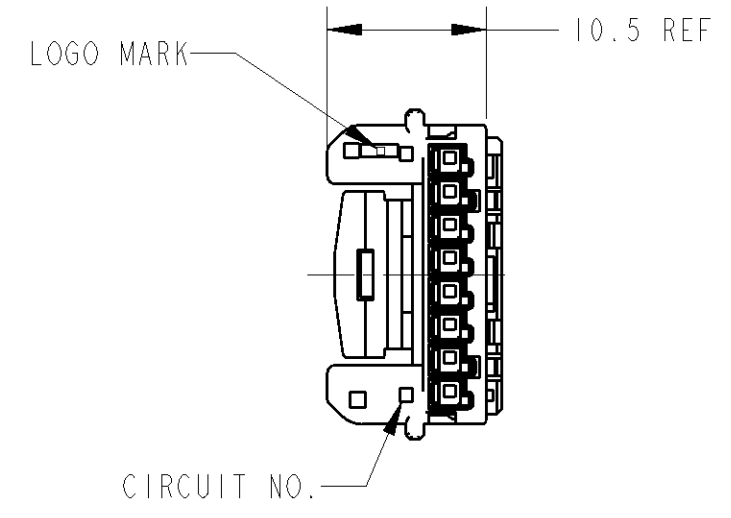
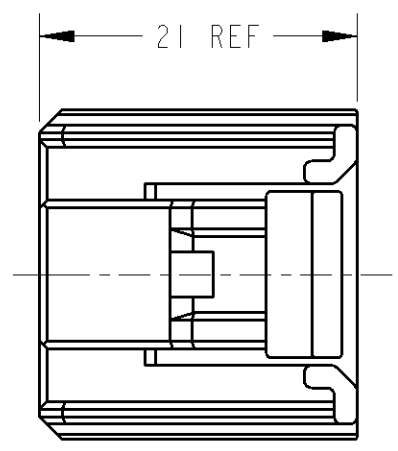
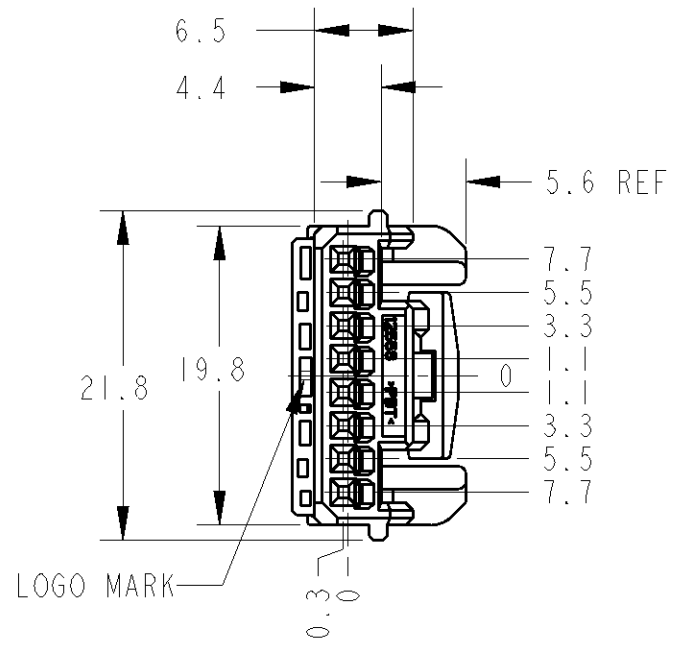


THIS DRAWING IS UNPUBLISHED. RELEASED FOR PUBLICATION 20
 © COPYRIGHT 20 BY TYCO ELECTRONICS CORPORATION. ALL RIGHTS RESERVED.

LOC	DIST	REVISIONS						
		P	LTR	DESCRIPTION	ECN	DATE	DWN	APVD
J	-		0	RELEASED	FJA0-0387-04	13AUG04	YM	HY
			01	REVISED	FJA0-0014-05	7JAN05	YM	HY
			A	REVISED	ECR-10-007503	10MAY10	TS	KB



1. RETAINER SHOULD BE PRE-ASSEMBLED CONDITION TO HOUSING.
2. INSTRUCTION SHEET NO. 411-78080.
3. PART NUMBER OF CAP HOUSING TO BE MATED : SEE TABLE-1
4. APPLIED TERMINALS : SEE TABLE-2

1. プラグハウジングにリテーナを仮係止して出荷される
2. 取扱説明書NO. 411-78080
3. 嵌合相手型番 : TABLE-1参照
4. 適用端子 : TABLE-2参照

PRE-ASSEMBLED CONDITION
仮係止状態

FINAL LOCK CONDITION
本係止状態

TABLE-1

POS 極数	CAP ASSEMBLY PART NO. キャップ番号
8	1376366 1747285

TABLE-2

		TERMINAL NO. 端子型番	APPLICABLE WIRE RANGE 適用電線
SIGNAL 0.64111	TIN	1674311-1	AVSS/CAVS/CAVUS/AVSSH-f 0.3~0.5mm ²
	SELECTIVE GOLD	1674311-2	

PAPER BOX タンボール	PLASTIC BAG ビニール袋	BLACK	1746875-2
		NATURAL	1746875-1
OUTER 外装	INNER 内装	COLOR	PART NUMBER
PACKING STYLE 梱包形態			

THIS DRAWING IS A CONTROLLED DOCUMENT FOR TYCO ELECTRONICS CORPORATION. IT IS SUBJECT TO CHANGE AND THE CONTROLLING ENGINEERING ORGANIZATION SHOULD BE CONTACTED FOR THE LATEST REVISION.

DIMENSIONS: 単位: 概 mm	TOLERANCES UNLESS OTHERWISE SPECIFIED: 一般公差 ±0.3 0-PLC ± 1-PLC ±0.1 2-PLC ±0.01 3-PLC ±0.001 4-PLC ±0.0001 ANGLES ±3'00"	DWN Y. MITO 13AUG04 CHK H. YAMAGAMI 13AUG04 APVD S. ISOHATA 13AUG04	Tyco Electronics Corporation Kawasaki, Japan	
	MATERIAL PBT	PRODUCT SPEC 108-5931	NAME 0.64111 CONNECTOR 1ROW	
		APPLICATION SPEC 114-5329	8 POSITION PLUG ASSEMBLY	
FINISH 仕上	SEE TABLE	WEIGHT 2.27 g	SIZE A3	RESTRICTED TO -
CUSTOMER DRAWING		CAGE CODE 00779	DRAWING NO. 1746875	SHEET 1 OF 1

SCALE 2:1 REV A

单击下面可查看定价，库存，交付和生命周期等信息

[>>TE Connectivity\(泰科\)](#)