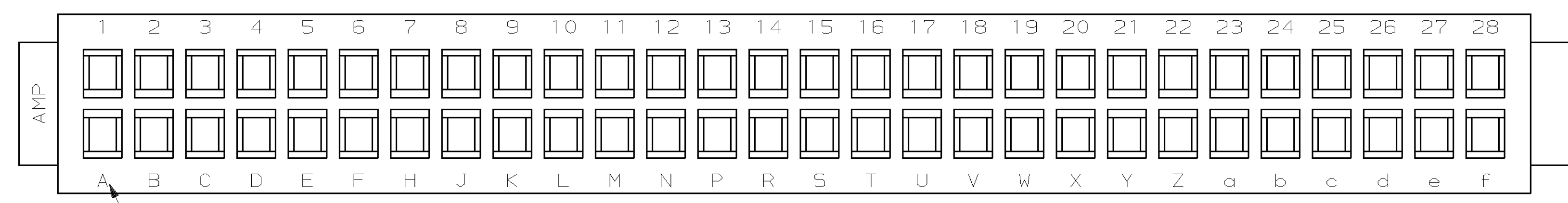
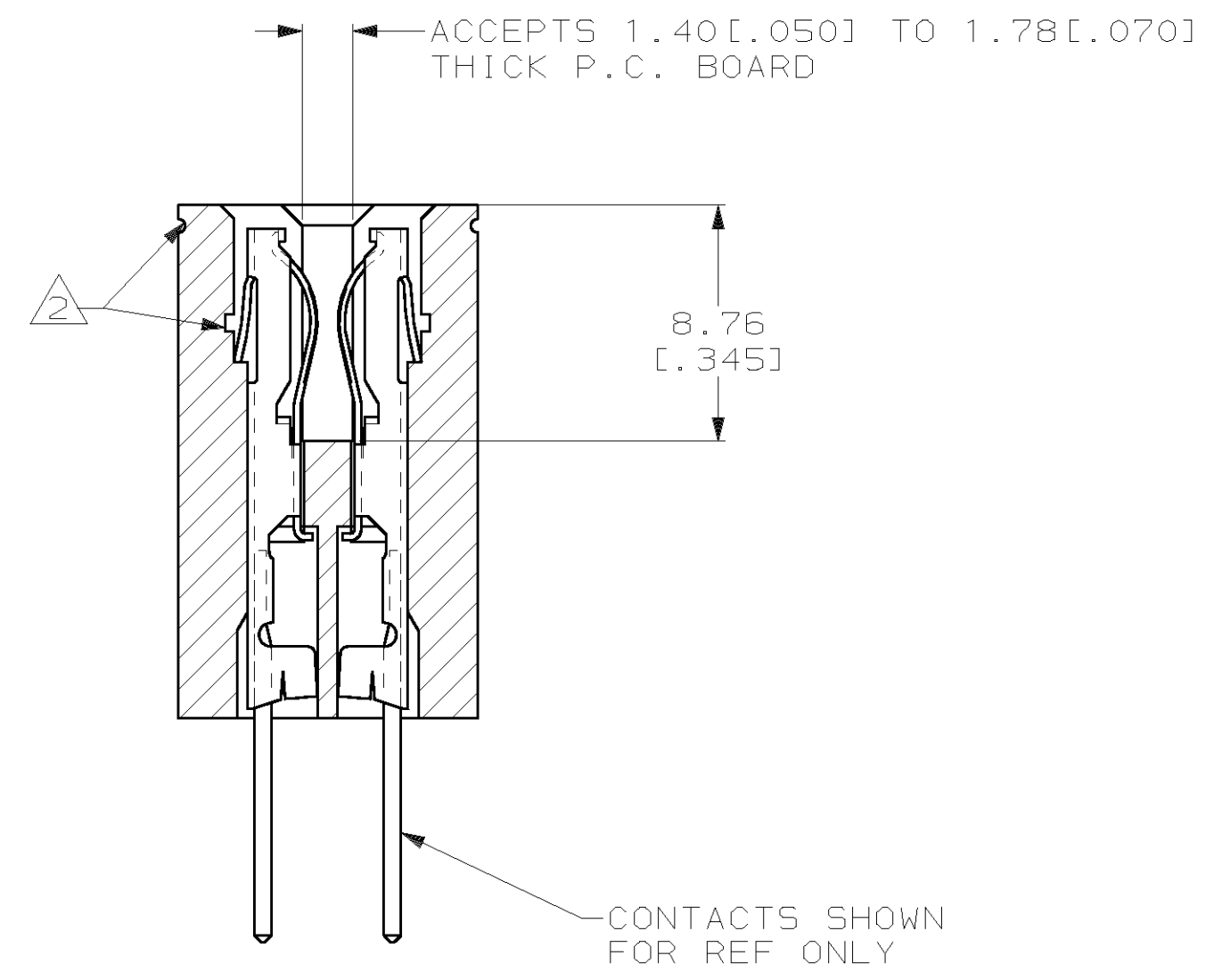
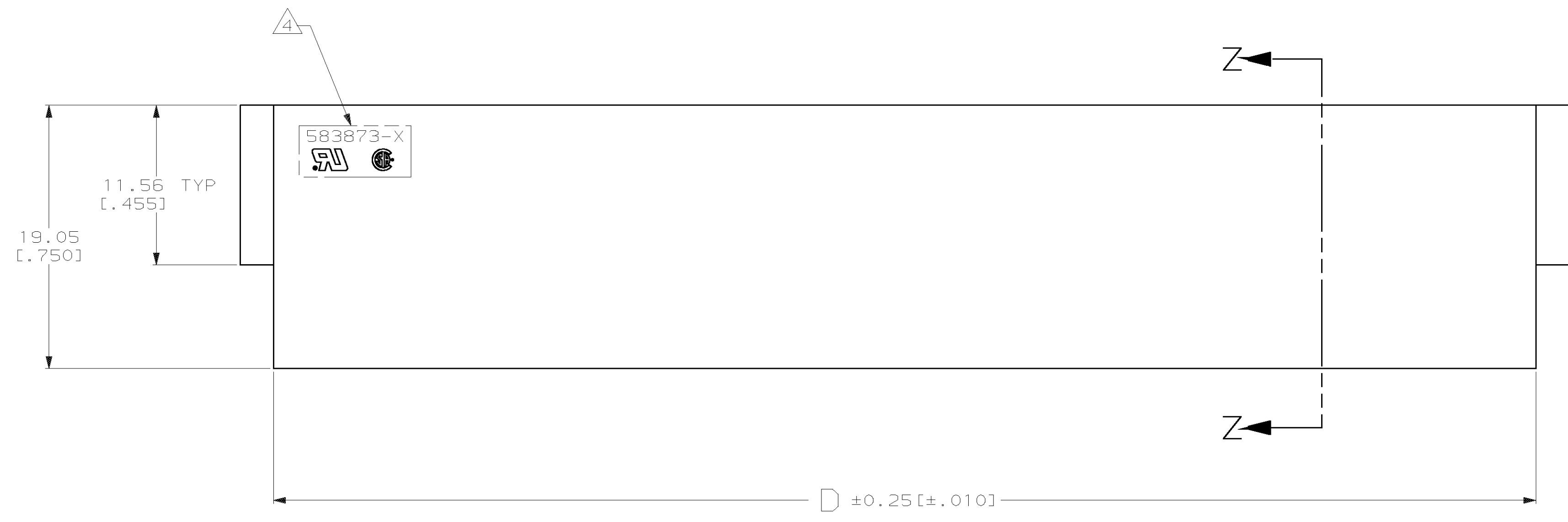
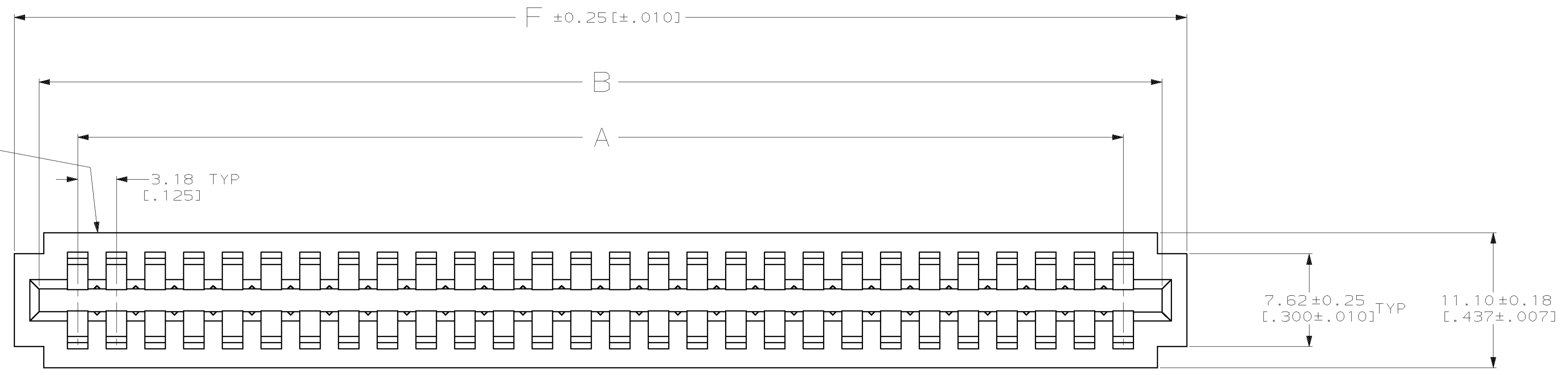


LOC	DIST	P	F	ZONE	LTR	DESCRIPTION	DATE	APPD
AD	00							
					N	REDRAWN PER 0010-0052-94	3/4/94	HR
					P	REVISED PER 0010-0683-94	9/20/94	HR
					R	REVISED RER 0010-0812-95	9-22-95	PEB
					S	REVISED RER 0010-0862-95	9/27/95	RB HR
					T	REVISED PER 0010-0818-95	1-4-95	PB HR
					U	REV PER EC 0320-349-97	31 OCT 97	NS
					V	REV PER EC 0652-84-98	09 SEP 98	HR
					W	REV PER EC 0652-0008-99	03/08/99	CB



THIS DRAWING IS A CONTROLLED DOCUMENT FOR AMP INCORPORATED. IT IS SUBJECT TO CHANGE AND THE CONTROLLING ENGINEERING ORGANIZATION SHOULD BE CONTACTED FOR THE LATEST REVISION.

DO NOT SCALE PRINT. UNLESS SPECIFIED DIMENSIONS IN mm [INCHES] TOLERANCES - ON : 2 PLC DEC ± - 3 PLC DEC ± 0.13[.005] ANGLES ± -		DR 12-9-92 J GALLUCCI BG	PART NO		
MATERIAL GLASS FILLED POLYESTER COLOR: BLACK	APPD 3/4/94 H ROSE	APPD 3/4/94 M THUMMA	AMP AMP Incorporated Harrisburg, PA 17105-3508		
FINISH -	APPLICATION SPEC -	PRODUCT SPEC -	NAME HOUSING, CRIMP SNAP TWIN LEAF, .125¢ WITHOUT MOUNTING EARS		
	WEIGHT -	SCALE 4:1	SIZE D	CAGE CODE 00779	DRAWING NO C-583873
				SHEET 1 OF 2	

LOC		DIST		REVISEMENTS		DATE	APPD
AD	00	P	F	ZONE	LTR	DESCRIPTION	
				W		SEE SHEET 1	-

- ① FIRST 22 POSITIONS MARKED WITH UPPER CASE LETTERS, FOLLOWED BY LOWER CASE LETTERS, FOLLOWED BY UPPERCASE AA, AB, AC ETC. CHARACTERS G, I, O AND Q ARE OMITTED.
- ② PULL GROOVES OPTIONAL THESE LOCATIONS REF ONLY.
- ③ HOUSING PART NUMBER, UL & CSA LOGO'S TO BE MOLDED IN THIS AREA. UL LOGO PER 1-18838-3, CSA LOGO PER 1-18839-3.
- ④ SPECIAL MARKING STAMPED BOTH SIDES FOR 2-583873-3
- ⑤ DATE CODE TO BE MOLDED IN THIS AREA



2-583783-3 ④

OBSOLETE	④	96.14	91.31	92.08	85.73	28	2-583783-3
		[3.785]	[3.595]	[3.625]	[3.375]		
OBSOLETE		102.49	97.66	98.43	92.08	30	2-583783-1
		[4.035]	[3.845]	[3.875]	[3.625]		
		146.94	142.11	142.88	136.53	44	1-583783-9
		[5.785]	[5.595]	[5.625]	[5.375]		
OBSOLETE		134.24	129.41	130.18	123.83	40	1-583783-7
		[5.285]	[5.095]	[5.125]	[4.875]		
OBSOLETE		105.66	100.84	101.60	95.25	31	1-583783-5
		[4.160]	[3.970]	[4.000]	[3.750]		
OBSOLETE		96.14	91.31	92.08	85.73	28	1-583783-3
		[3.785]	[3.595]	[3.625]	[3.375]		
OBSOLETE		86.61	81.79	82.55	76.20	25	1-583783-1
		[3.410]	[3.220]	[3.250]	[3.000]		
		77.09	72.26	73.03	66.68	22	583783-9
		[3.035]	[2.845]	[2.875]	[2.625]		
OBSOLETE		64.39	59.56	65.41	53.98	18	583783-7
		[2.535]	[2.345]	[2.575]	[2.125]		
		54.86	50.04	50.80	44.45	15	583783-5
		[2.160]	[1.970]	[2.000]	[1.750]		
OBSOLETE		38.99	34.16	34.93	28.58	10	583783-3
		[1.535]	[1.345]	[1.375]	[1.125]		
		26.29	21.46	22.23	15.88	6	583783-1
		[1.035]	[.845]	[.875]	[.625]		
		F	D	B	A	POSN	PART NUMBER

DO NOT SCALE PRINT. UNLESS SPECIFIED DIMENSIONS IN mm [INCHES]		DR 12-9-92 J GALLUCCI B6		AMP AMP Incorporated Harrisburg, PA 17105-3508	
TOLERANCES ON:	CHK 3/4/94 H ROSE	NAME			
2 PLC DEC ± -	APPD 3/4/94 H ROSE	HOUSING, CRIMP SNAP TWIN LEAF, .125¢ WITHOUT MOUNTING EARS			
3 PLC DEC ± -	APPD 3/4/94 M THUMMA	SIZE	CAGE CODE	DRAWING NO	
ANGLES ± -	PRODUCT SPEC	D	00779	C-583873	
		WEIGHT	SCALE	SHEET	
		-	4:1	2 OF 2	

THIS DRAWING IS A CONTROLLED DOCUMENT FOR AMP INCORPORATED. IT IS SUBJECT TO CHANGE AND THE CONTROLLING ENGINEERING ORGANIZATION SHOULD BE CONTACTED FOR THE LATEST REVISION.

单击下面可查看定价，库存，交付和生命周期等信息

[>>TE Connectivity\(泰科\)](#)