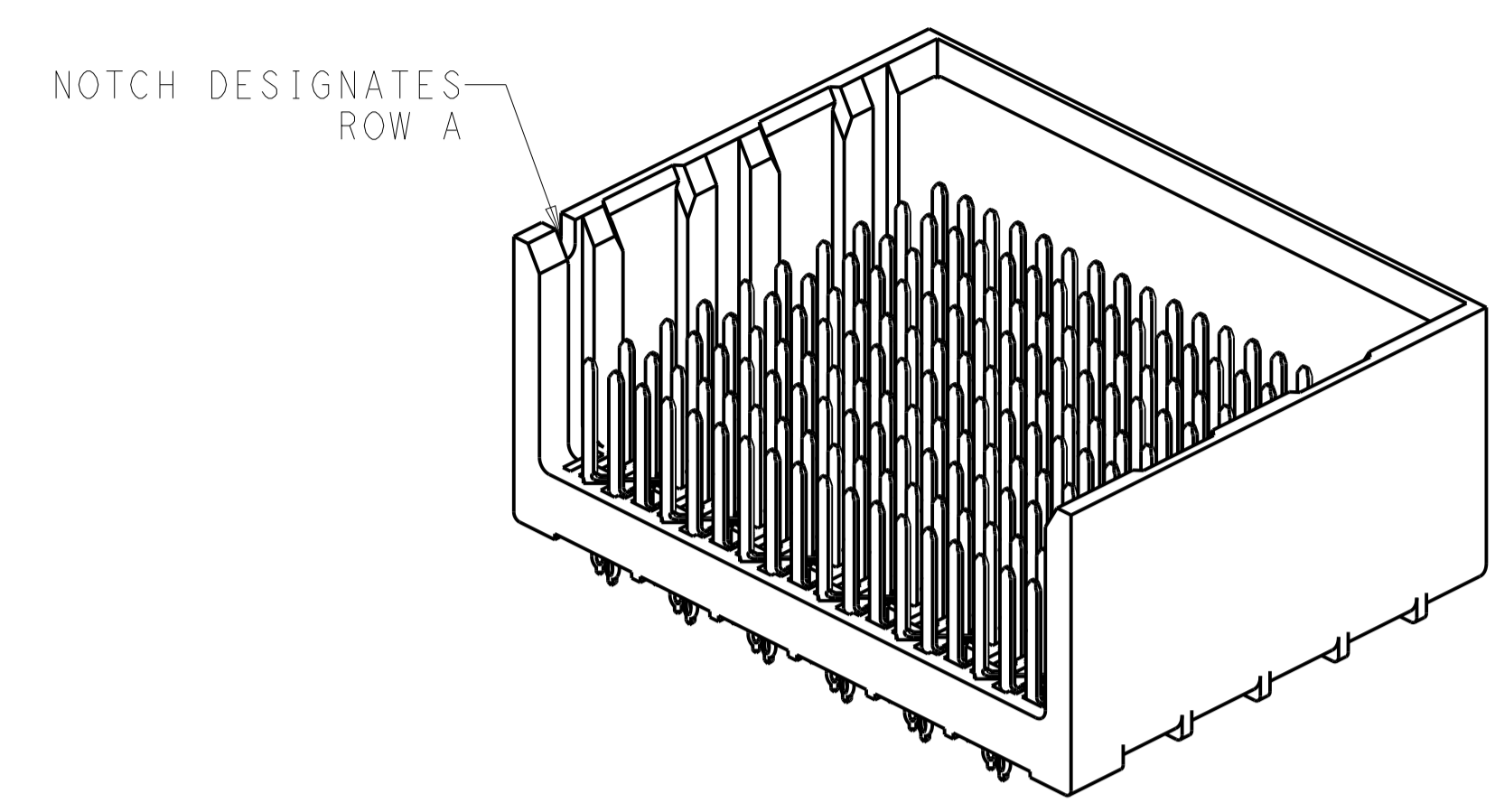
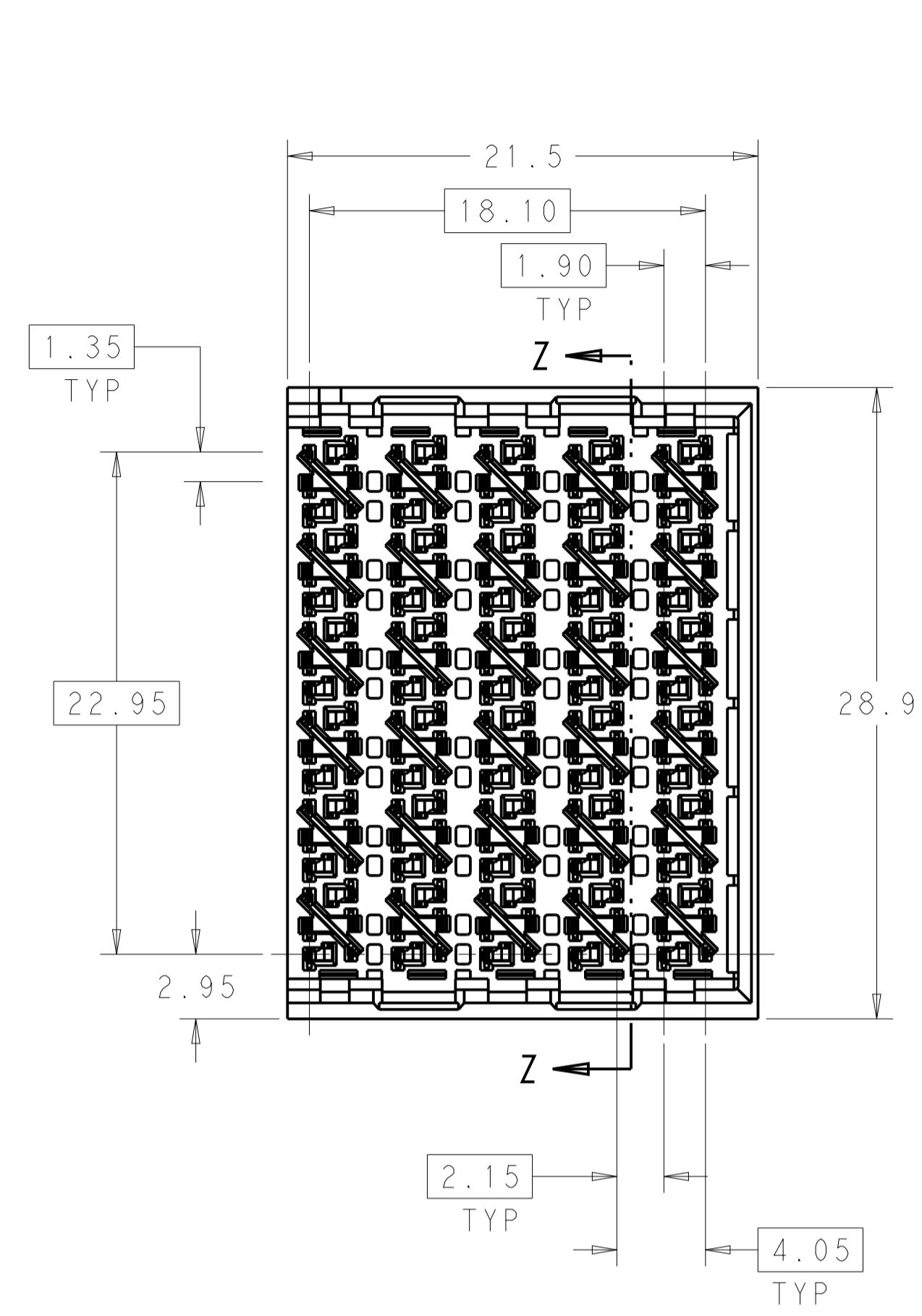
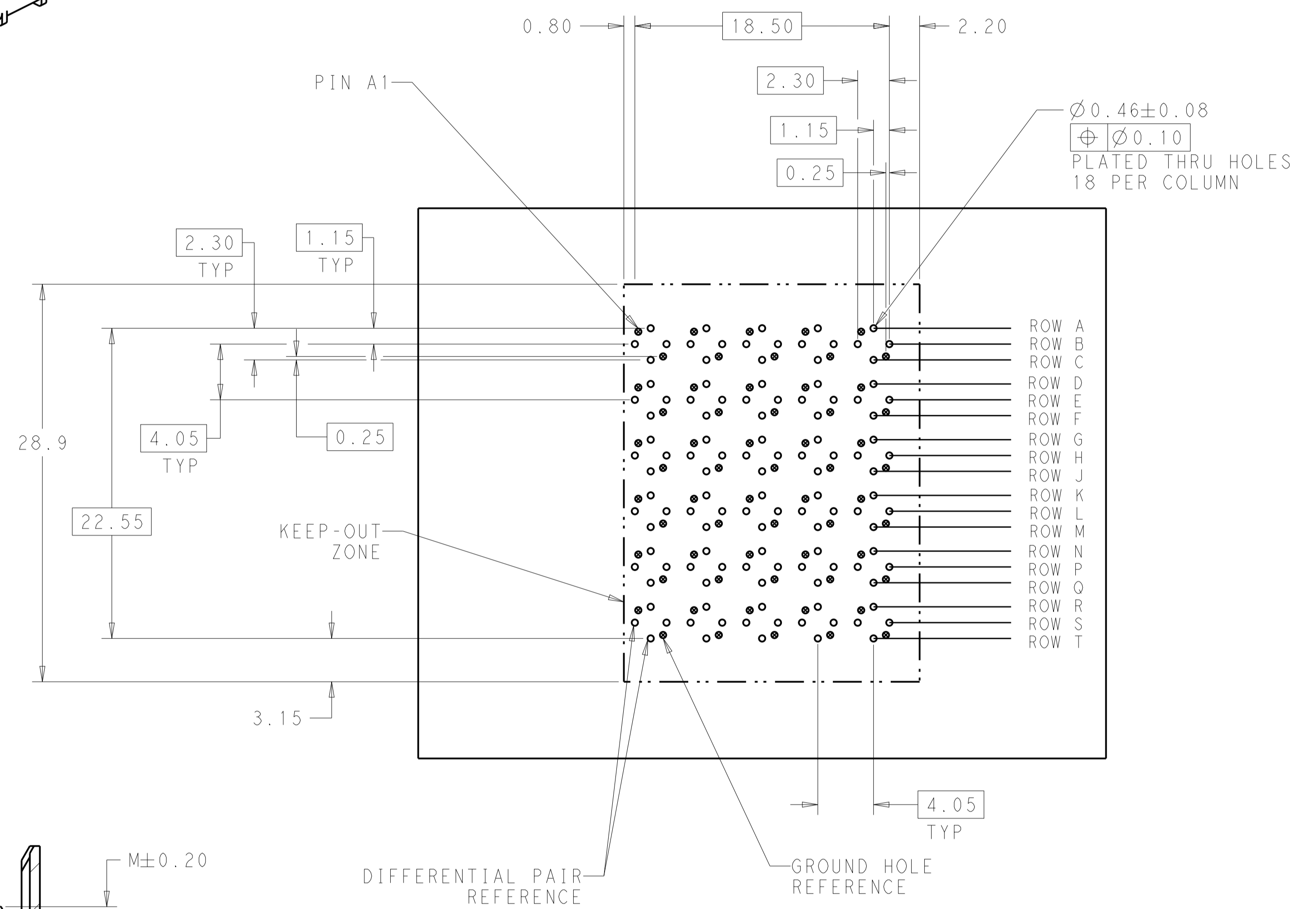


REVISIONS				
P.	LTN.	DESCRIPTION	DATE	APVD.
C		REVISED PER ECO-14-013273	31OCT2014	AP DD

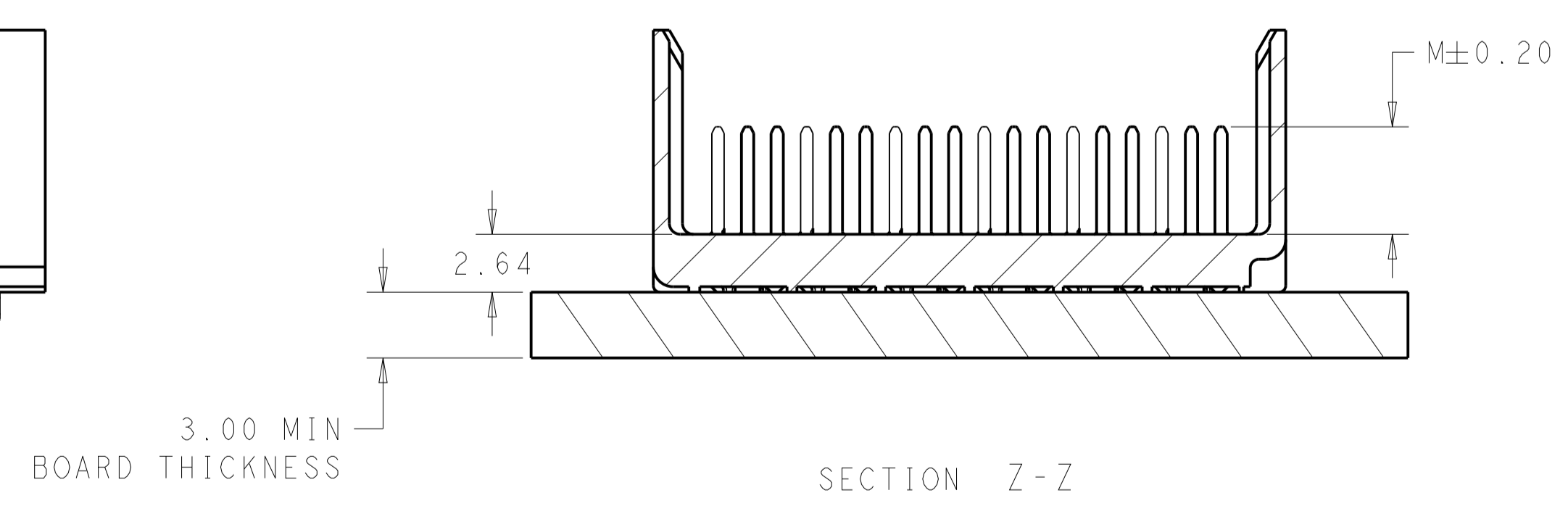
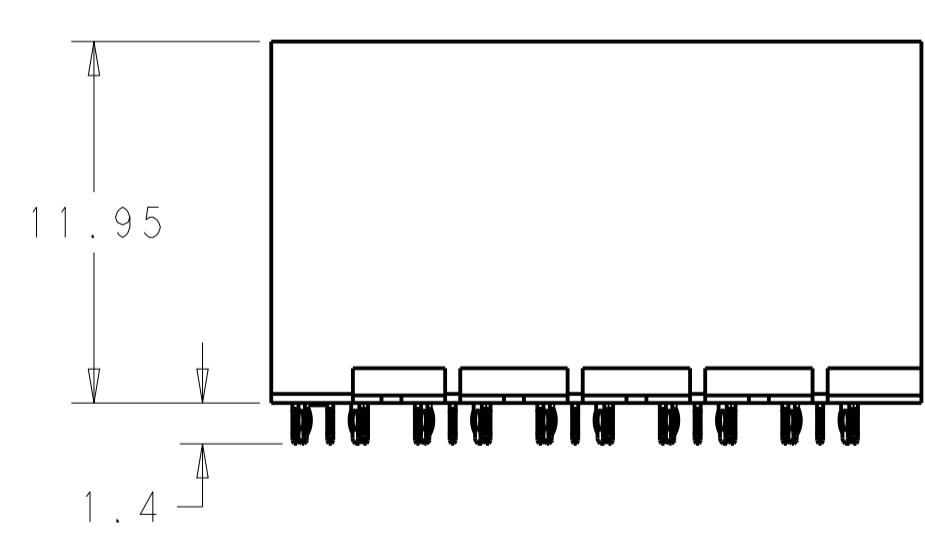


⚠ MATERIAL:
 HOUSING: LCP GLASS FILLED UL94V-0
 TERMINALS: HIGH PERFORMANCE COPPER ALLOY

⚠ FINISH:
 30μ" MIN GOLD IN CONTACT AREA
 SELECTIVE TIN ON PCB TAILS.
 NICKEL OVERALL.



LEFT GUIDED
 BACKPLANE HOLE PATTERN
 (CONNECTOR SIDE)
 SCALE 4:1



2	5.5	2143264-2
2	4.9	2143264-1
FINISH	DIM M	PART NUMBER

THIS DRAWING IS A CONTROLLED DOCUMENT.		DWN J.K. SHOBER 03JAN2011	TE Connectivity NAME: IMPACT, 6 PAIR, 10 COLUMN, UNGUIDED RIGHT END WALL ASSEMBLY, ORTHOGONAL, 0.46 PTH SIZE: A1 CAGE CODE: 00779 DRAWING NO: C=2143264 RESTRICTED TO: - SCALE: 4:1 SHEET 1 OF 1 REV C
DIMENSIONS: mm		CHK J.EARY 03JAN2011	
TOLERANCES UNLESS OTHERWISE SPECIFIED:		APVD J.EARY 03JAN2011	
0 PLC ± 1 PLC ±0.25 2 PLC ±0.13 3 PLC ± 4 PLC ± ANGLES ±0		PRODUCT SPEC APPLICATION SPEC WEIGHT Customer Drawing	

单击下面可查看定价，库存，交付和生命周期等信息

[>>TE Connectivity\(泰科\)](#)