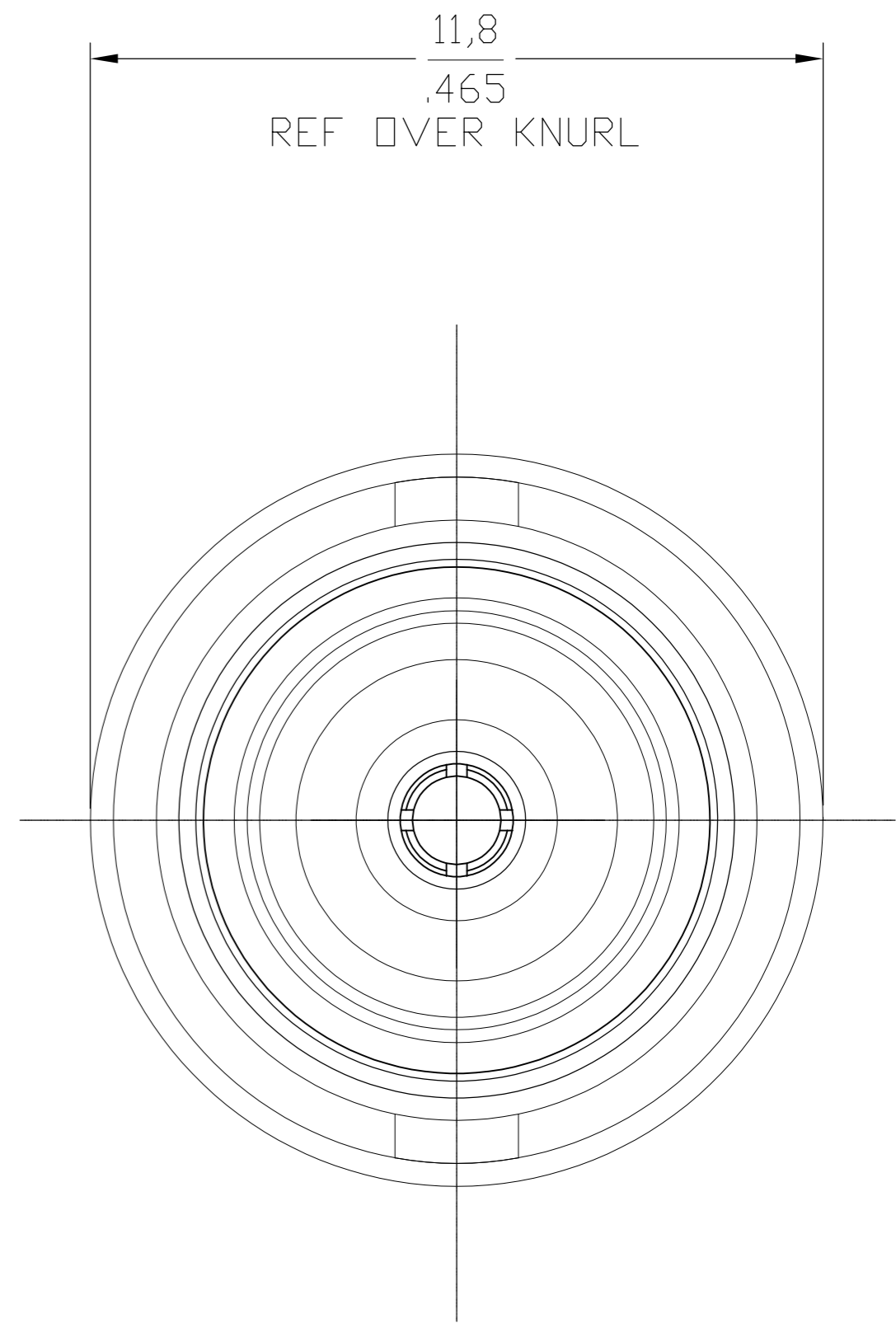
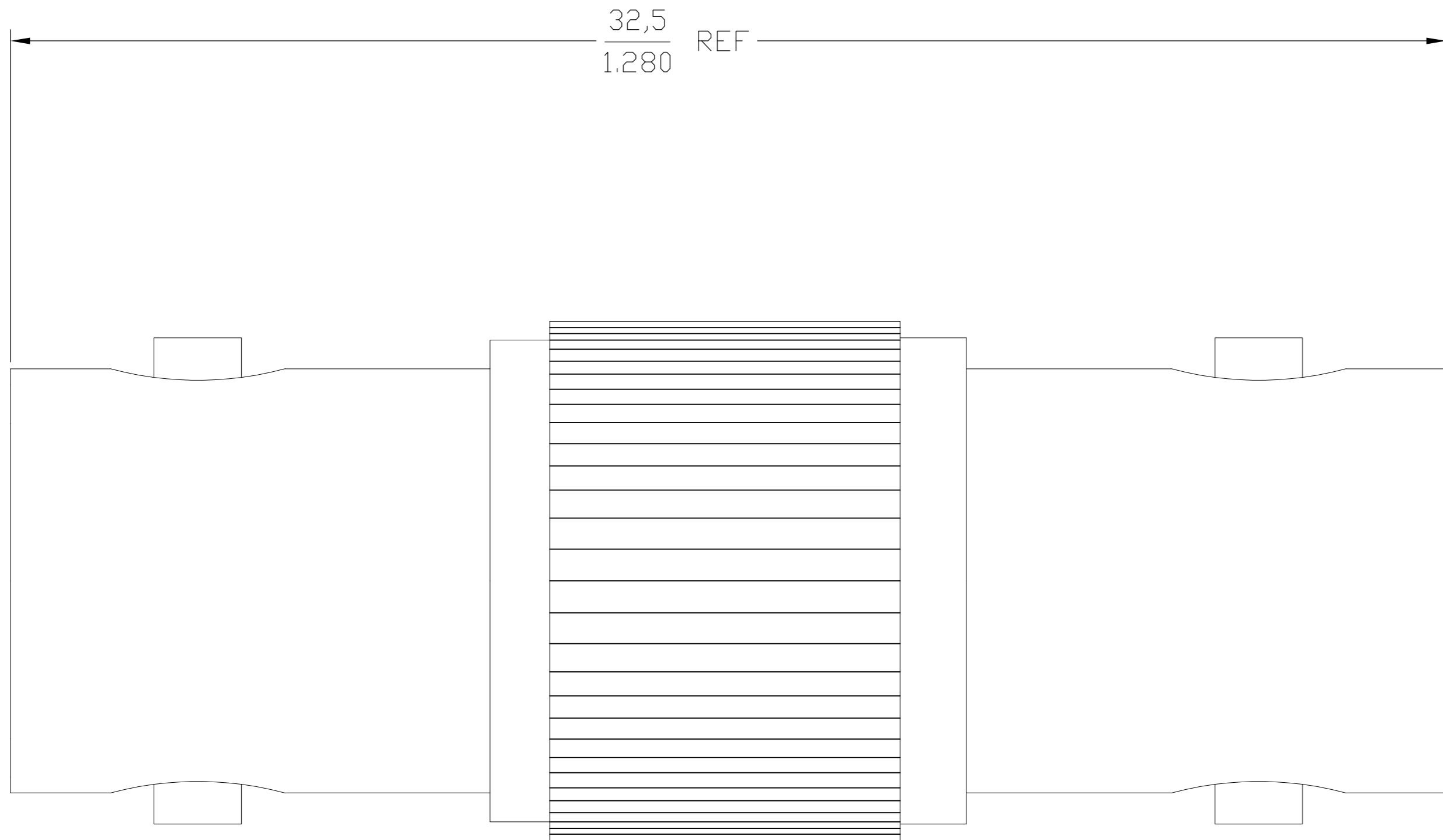


THIS DRAWING IS UNPUBLISHED. RELEASED FOR PUBLICATION
 © COPYRIGHT - By - ALL RIGHTS RESERVED.

LOC	DIST	REVISIONS			
P	LTR	DESCRIPTION	DATE	DWN	APVD
HC	00	A	ECR-12-005726	27MAR12	RK MY



JACK HOUSING BUSHING	BRASS PER ASTM-B-16	SILVER PLATE PER QQ-S-365
FEMALE CONTACT	BERYLLIUM COPPER PER ASTM-B-196 OR ASTM-B-197	
DIELECTRICS COMPONENT	PTFE PER ASTM-D-1710	N/A
	MATERIAL	FINISH

1310808-1
 PART #

THIS DRAWING IS A CONTROLLED DOCUMENT.		DWN APS 03/18/80	STE TE Connectivity	
DIMENSIONS: mm [INCHES]		CHK APS 03/18/80		
TOLERANCES UNLESS OTHERWISE SPECIFIED:		APVD APS 03/18/80	NAME	
±.127 MM ±.005 IN		PRODUCT SPEC	BNC STRAIGHT ADAPTOR (B37P34E999X)	
ANGLES ± 1°		APPLICATION SPEC	SIZE	CAGE CODE
FINISH		WEIGHT	A2	26805
MATERIAL		CUSTOMER DRAWING	DRAWING NO	RESTRICTED TO
		SCALE 10:1	1310808	-
		SHEET 1 of 1	REV A	

单击下面可查看定价，库存，交付和生命周期等信息

[>>TE Connectivity\(泰科\)](#)