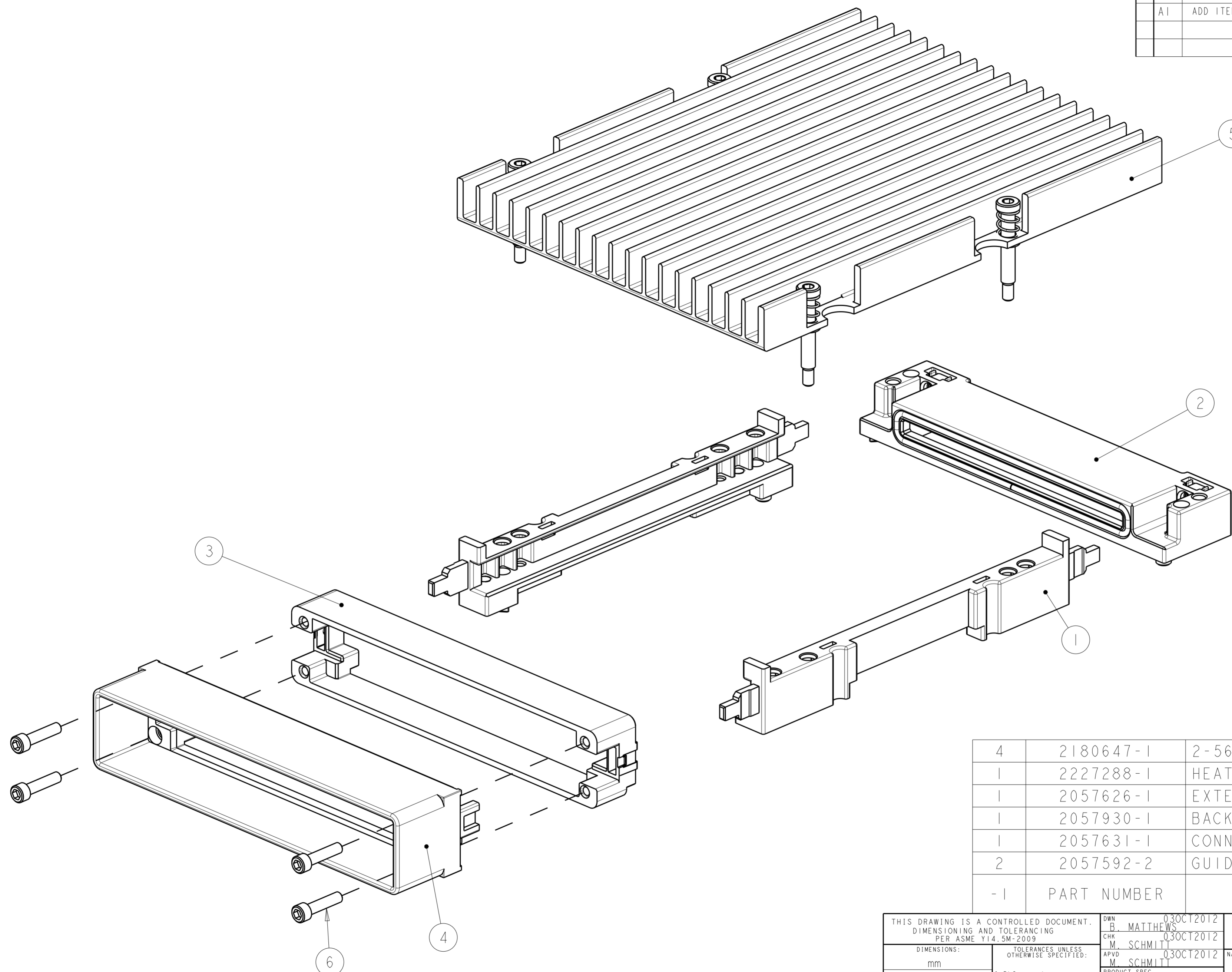


THIS DRAWING IS UNPUBLISHED. RELEASED FOR PUBLICATION 20
 © COPYRIGHT 20 BY - ALL RIGHTS RESERVED.

| LOC | DIST | REVISIONS | | | | | |
|-----|------|-----------|-----|----------------------------|-----------|-----|------|
| GP | 00 | P | LTR | DESCRIPTION | DATE | DWN | APVD |
| | | A | | RELEASED PER ECO-13-005370 | 01APR2013 | CJV | MRS |
| | | AI | | ADD ITEM 6 SCREW IN BOM | 16JAN2019 | IT | SH |



| | | | |
|----|-------------|----------------------------|---------|
| 4 | 2180647-1 | 2-56 UNC SOCKET HEAD SCREW | 6 |
| 1 | 2227288-1 | HEATSINK ASSEMBLY | 5 |
| 1 | 2057626-1 | EXTERNAL BRACKET ASSEMBLY | 4 |
| 1 | 2057930-1 | BACKER PLATE ASSEMBLY | 3 |
| 1 | 2057631-1 | CONNECTOR COVER ASSEMBLY | 2 |
| 2 | 2057592-2 | GUIDE RAIL | 1 |
| -1 | PART NUMBER | DESCRIPTION | ITEM NO |

THIS DRAWING IS A CONTROLLED DOCUMENT. DIMENSIONING AND TOLERANCING PER ASME Y14.5M-2009

DWN: B. MATTHEWS 03OCT2012
 CHK: M. SCHMITT 03OCT2012
 APVD: M. SCHMITT 03OCT2012

STE TE Connectivity

NAME: CFP HARDWARE KIT
 PRODUCT SPEC: 108-2399
 APPLICATION SPEC: 114-13263

SIZE: A2 CAGE CODE: 00779 DRAWING NO: C-2227326 RESTRICTED TO: -

MATERIAL: - FINISH: - WEIGHT: -

Customer Drawing SCALE: 2:1 SHEET 1 OF 1 REV: AI

单击下面可查看定价，库存，交付和生命周期等信息

[>>TE Connectivity\(泰科\)](#)