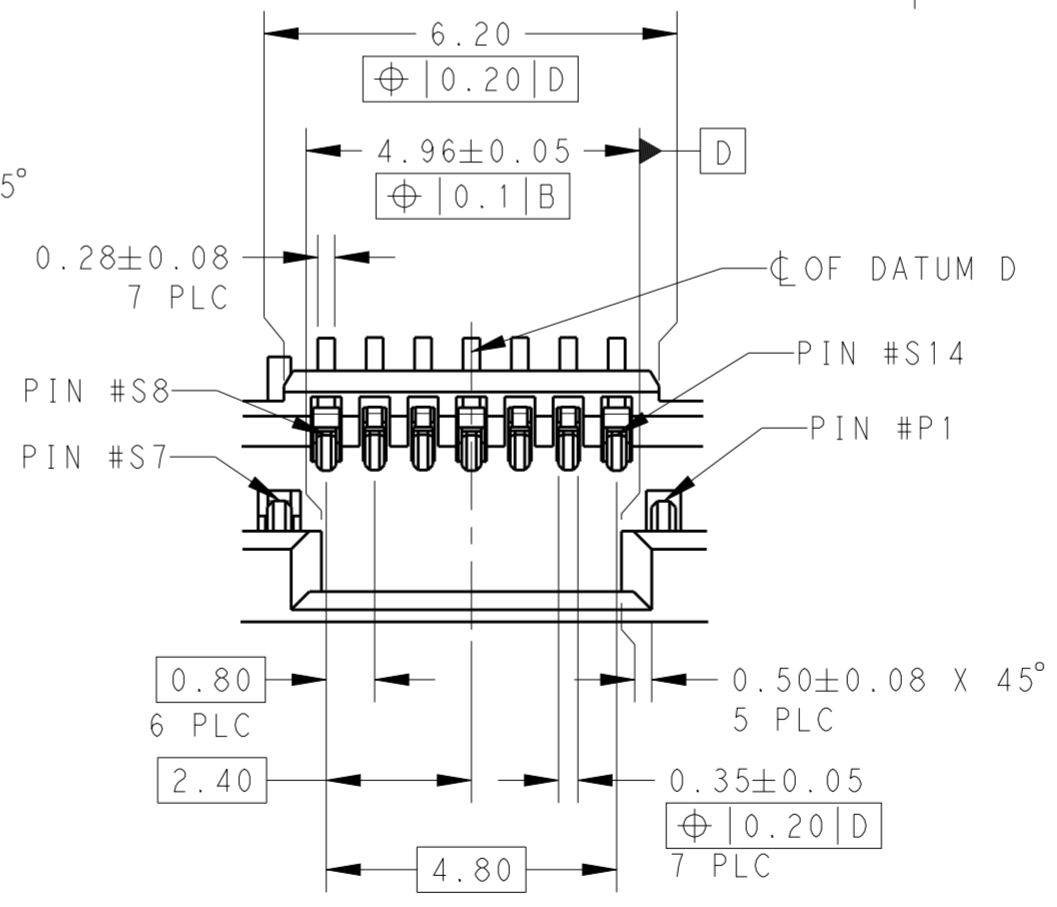
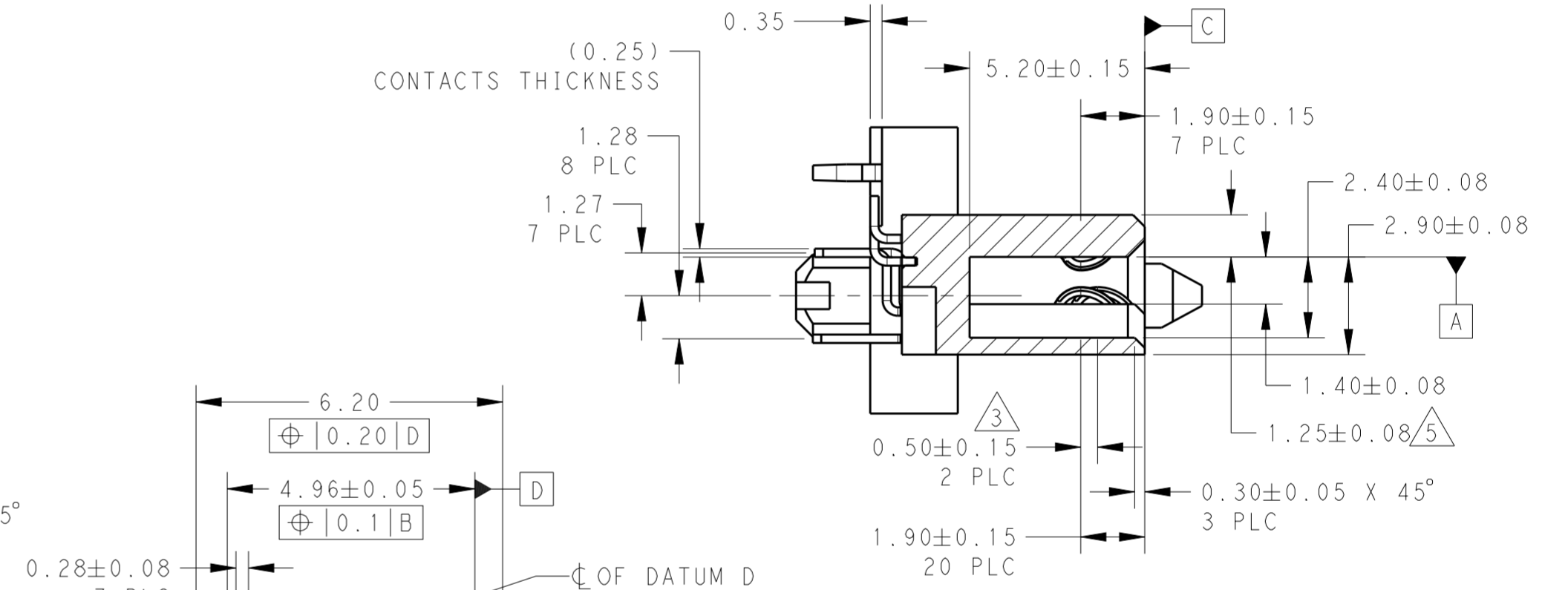
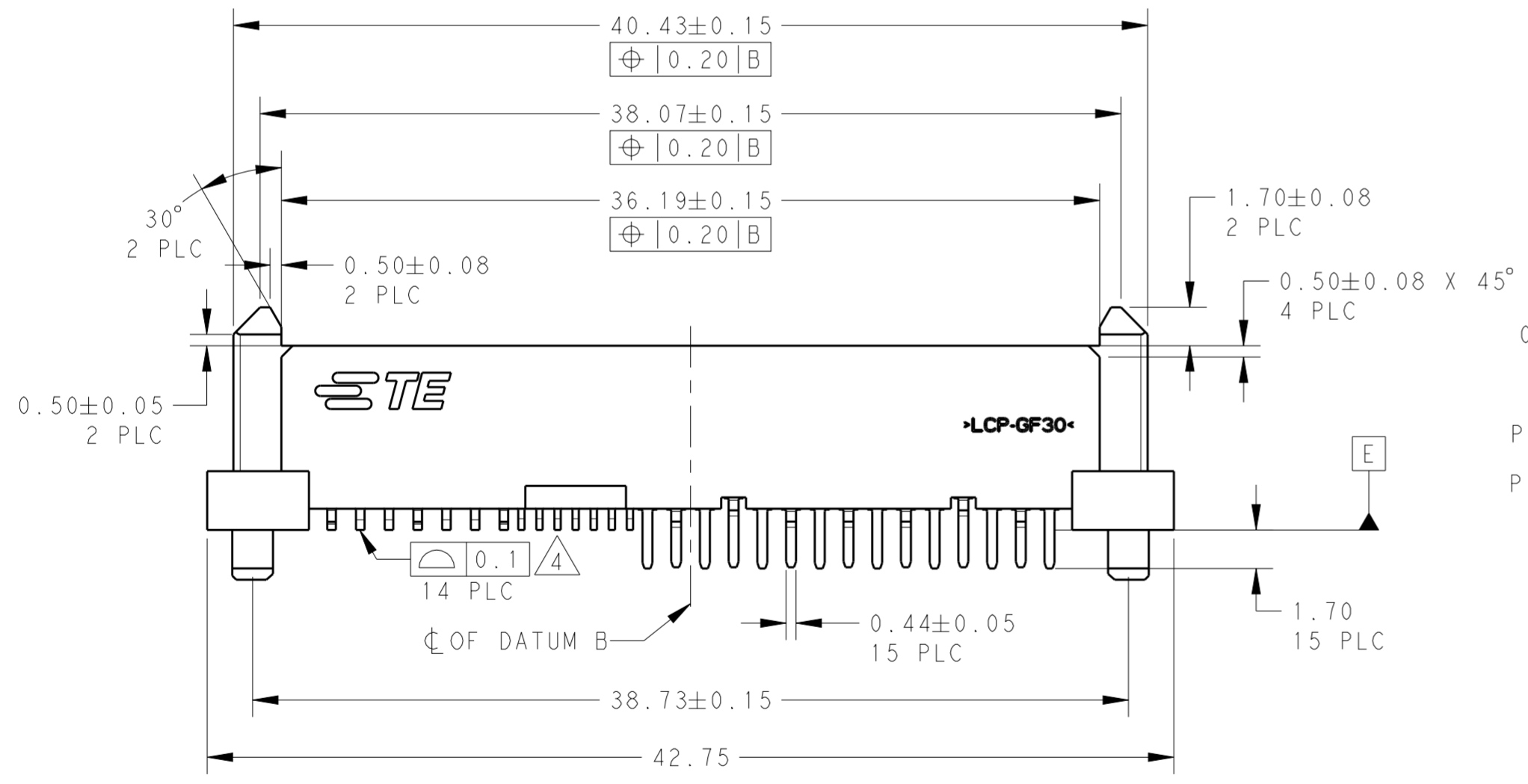
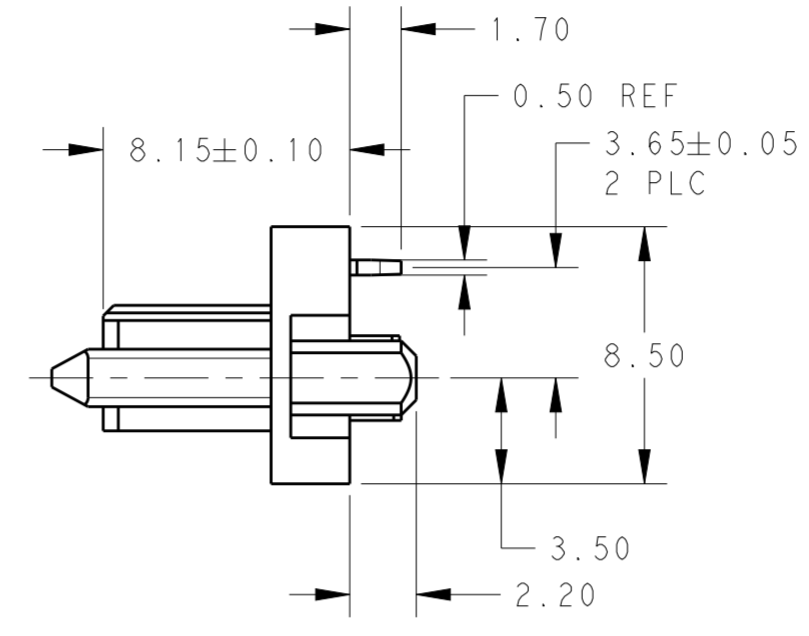
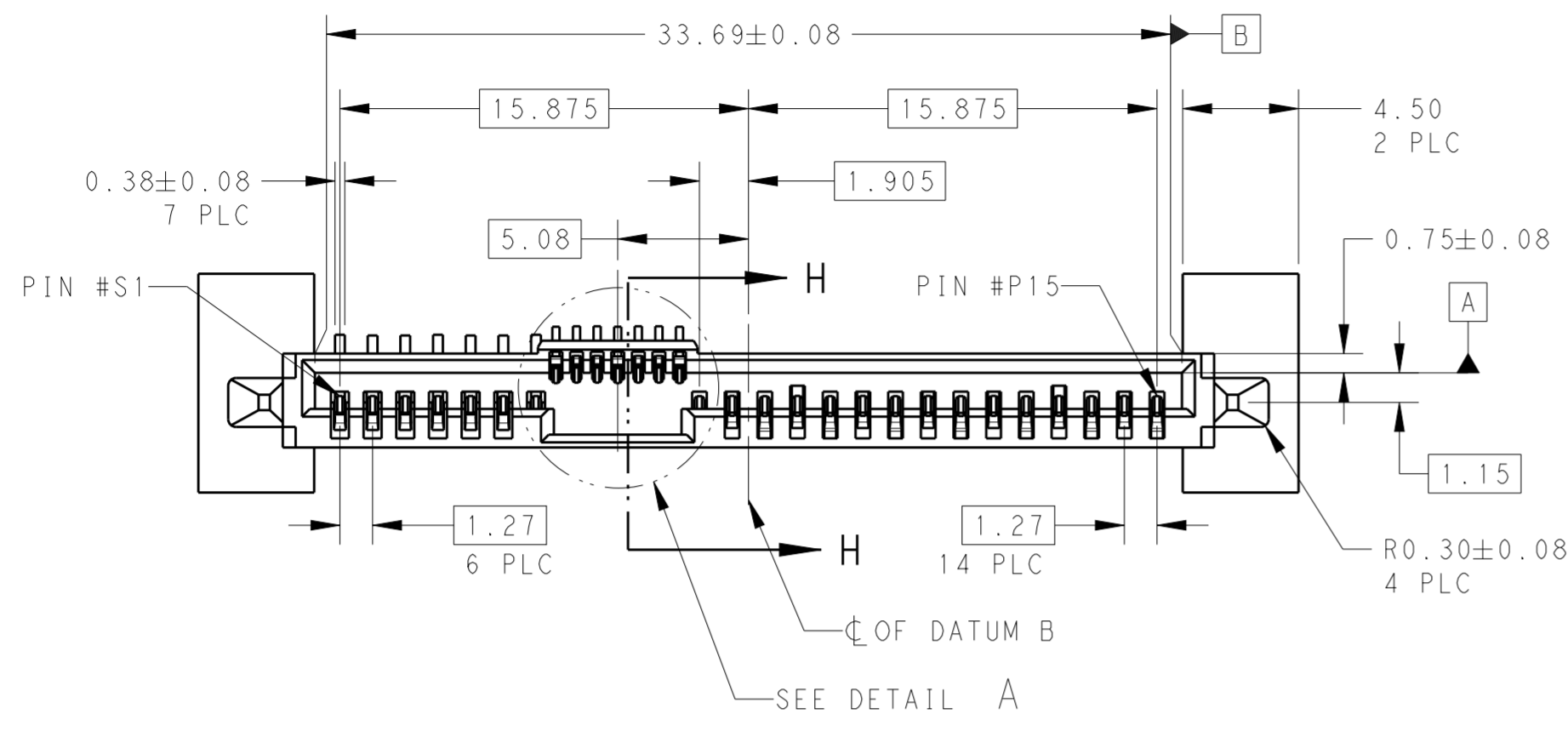


THIS DRAWING IS UNPUBLISHED. RELEASED FOR PUBLICATION
 © COPYRIGHT ALL RIGHTS RESERVED.

LOC		DIST		REVISIONS			
P	LTR	DESCRIPTION	DATE	DWN	APVD		
	A	RELEASED FOR PRODUCTION	07MAR2016	TX	SH		
			10OCT2013	TX	AC		

NOTES:

- 1 MATERIAL:
HOUSING: HIGH TEMP THERMOPLASTIC, UL94V-0,
COLOR: BLACK
CONTACT: COPPER ALLOY
BOARDLOCK: COPPER ALLOY
- 2 FINISH:
CONTACT AREA: MIN 0.76µm GOLD PLATING
SOLDERTAIL: MIN 2.54µm MATTE TIN PLATING
UNDERPLATE: MIN 1.27µm NICKEL PLATING
- 3 PIN #P4 AND PIN #P12 ONLY
- 4 SOLDERTAIL TO BE WITHIN 0.05MAX ABOVE AND 0.10MAX BELOW DATUM E
- 5 1.33 MAX MEASURED AT DATUM C



DETAIL A
SCALE 8:1

TAPE & REEL WITH PICKUP CAP	2170506-1
PACKAGING	PART NUMBER

THIS DRAWING IS A CONTROLLED DOCUMENT.		DWN	TIM XUE	13MAR2013	TE Connectivity	NAME SAS-3 (12Gbps)SFF-8680 RECEPTACLE DUAL PORT, WITH METAL RETENTION BLADE HYBRID (TH/SMT) FOOTPRINT, 15P+7P+7P					
DIMENSIONS:		CHK	ALEX CAI	13MAR2013							
mm		APVD	ALEX CAI	13MAR2013							
TOLERANCES UNLESS OTHERWISE SPECIFIED:		PRODUCT SPEC	108-51109	APPLICATION SPEC							
0 PLC ±0.2		114-60017	SIZE	CAGE CODE	DRAWING NO	RESTRICTED TO					
1 PLC ±0.2		WEIGHT	-	A200779	C-2170506	-					
2 PLC ±0.2		CUSTOMER DRAWING		SCALE	4:1	SHEET	1	OF	2	REV	A
3 PLC ±0.2											
4 PLC ±0.2											
ANGLES ±3°											
FINISH											

4

3

2

1

THIS DRAWING IS UNPUBLISHED. RELEASED FOR PUBLICATION
 © COPYRIGHT ALL RIGHTS RESERVED.

LOC	DIST	REVISIONS			
P	LTR	DESCRIPTION	DATE	DWN	APVD
-	-	SEE SHEET 1	-	-	-

CONNECTOR OUTLINE

RECOMMENDED RECEPTACLE BOARD LAYOUT
SCALE 8:1

Dimensions and Tolerances:

- 18.73
- 11.89
- 2.01 2 PLC
- 3.49
- 0.80 6 PLC
- 0.45±0.05 $\oplus 0.1 | X-Y | X$ 7 PLC
- Ø 0.75±0.03 $\oplus \text{Ø} 0.1 | X-Y | X$ 15 PLC
- 4.50 2 PLC
- 2.46±0.10 $\oplus 0.20 | X-Y | X$ 2 PLC
- 0.81±0.10 $\oplus 0.20 | X-Y | X$ 2 PLC
- 1.27
- 1.15 REF CONNECTOR DATUM A
- 8.50 2 PLC
- 3.50 2 PLC
- 1.27
- Ø 2.50±0.05 2 PLC
- 1.27 6 PLC
- 0.60±0.05 $\oplus 0.1 | X-Y | X$ 7 PLC
- 1.27 14 PLC
- Ø 2.50 REF $\oplus \text{Ø} 0.15 | X$
- 17.46
- 17.78
- 38.73
- 3.40 7 PLC
- 3.65
- 3.00 7 PLC
- 0.52 3 PLC
- 1.22 4 PLC

STE

LCP-0F30+

P/N: 2170506-1 WITH CAP AS SHOWN

THIS DRAWING IS A CONTROLLED DOCUMENT.

DWN	TIM XUE	13MAR2013
CHK	ALEX CAI	13MAR2013
APVD	ALEX CAI	13MAR2013
PRODUCT SPEC	108-51109	
APPLICATION SPEC	114-60017	
MATERIAL	-	
WEIGHT	-	

TE Connectivity

NAME: SAS-3 (12Gbps)SFF-8680 RECEPTACLE DUAL PORT, WITH METAL RETENTION BLADE HYBRID (TH/SMT) FOOTPRINT, 15P+7P+7P

SIZE: A2 CAGE CODE: 00779 DRAWING NO: C-2170506 RESTRICTED TO: -

CUSTOMER DRAWING SCALE: 2:1 SHEET: 2 OF 2 REV: A

1471-9 (3/11)

Downloaded From Onevac.com

单击下面可查看定价，库存，交付和生命周期等信息

[>>TE Connectivity\(泰科\)](#)