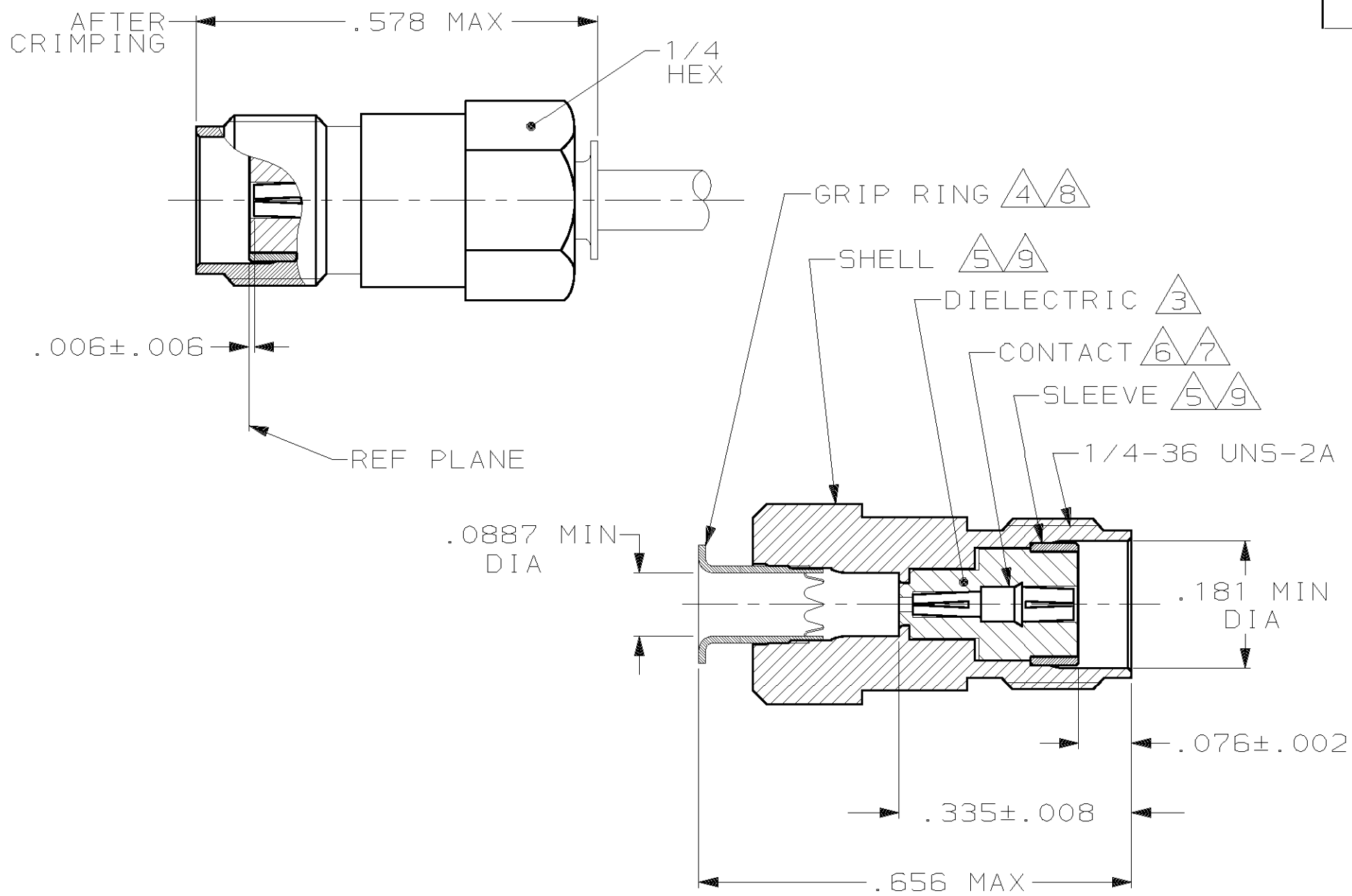
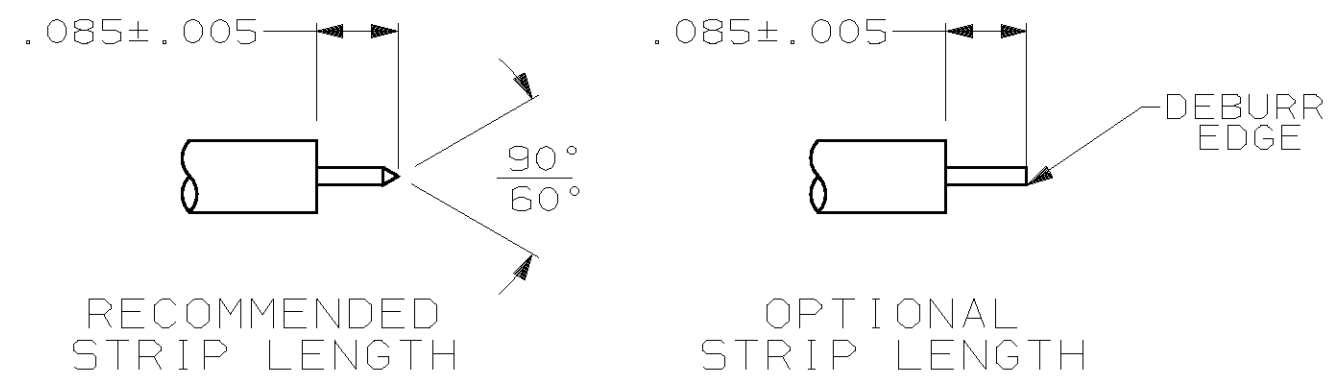


THIS DRAWING IS UNPUBLISHED. RELEASED FOR PUBLICATION ,19 .
 © COPYRIGHT 19 BY AMP INCORPORATED, HARRISBURG, PA. ALL INTERNATIONAL RIGHTS RESERVED. AMP PRODUCTS MAY BE COVERED BY U.S. AND FOREIGN PATENTS AND/OR PATENTS PENDING.

| | | | | | | | | |
|-----|------|-----------|---|------|-----|----------------------|---------|----------|
| LOC | DIST | REVISIONS | | | | | | |
| AJ | 16 | P | F | ZONE | LTR | DESCRIPTION | DATE | APPROVED |
| | | | | | D | REV PER 0U20-0173-00 | 07JUN00 | MO |



1. FOR USE WITH: RG-405/U, .086 SEMI-RIGID CABLE
2. SEE I.S. 6788
3. PTFE PER MIL-P-19468
4. BRASS PER MIL-C-50
5. STAINLESS STEEL PER ASTM-A-582
6. BERYLLIUM COPPER PER QQ-C-530
7. GOLD PL PER MIL-G-45204
8. NICKEL PL PER QQ-N-290
9. PASSIVATION PER QQ-P-35
10. .500 MIN LENGTH OF STRAIGHT CABLE REQUIRED TO APPLY THE CONNECTOR



| | | | |
|--|----------|---|---------------------|
| | | 228640-1 | |
| | | PART NO | |
| UNLESS OTHERWISE SPECIFIED DIMENSIONS ARE IN INCHES TOLERANCES ON: | | DR | M. SNEED 3-17-87 |
| 2 PL DEC ± _____ | | CHK | D. HEIDE 3-17-87 |
| 3 PL DEC ± _____ | | APPD | M. WALMSLEY 3-17-87 |
| ANGLES ± _____ | | APPD | M. SNEED 3-17-87 |
| MATERIAL | 3 THRU 6 | PRODUCT SPEC | 108-12055 |
| FINISH | 7 THRU 9 | APPLICATION SPEC | |
| | | WEIGHT | |
| | | AMP INCORPORATED Harrisburg, Pa. 17105 | |
| | | NAME | |
| | | JACK, SERIES SMA | |
| SIZE | B | FSCM NO | 00779 |
| DRAWING NO | 228640-1 | | |
| SCALE | 5:1 | SHEET | 1 OF 1 |

单击下面可查看定价，库存，交付和生命周期等信息

[>>TE Connectivity\(泰科\)](#)