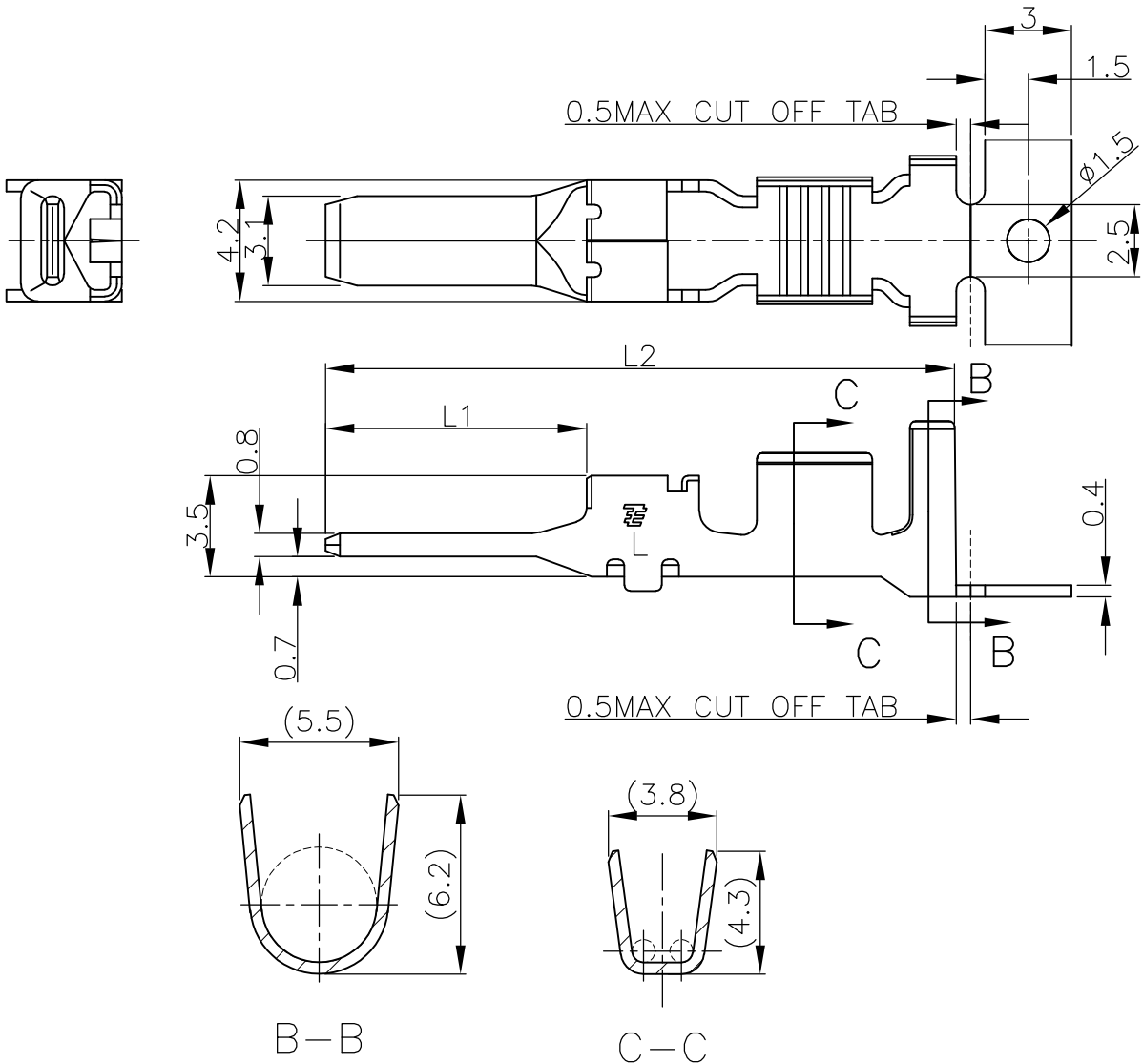


LOC J	DIST F	REVISIONS ???			DATE	DWN	APVD
P	LTR	DESCRIPTION			10AUG2010	T.T	T.M
	A	REVISED ECR-10-016584					



L SIZE

1. 一般公差: ±0.25
2. 材料: 2材料: 銅合金全面Niめっき1.3μm以上
接点部金めっき0.38μm以上めっき
3. 適用電線: AWG#14-#12(被覆外径 φ2.9~φ4.1)

1. GENERAL TOLERANCE: ±0.25
2. MATERIAL: COPPER ALLOY, FINISH: OVER NI PLATING 1.3um MIN.
(CONTACT AREA) 0.38um MIN GOLD PLATING
3. APPLICABLE WIRE: AWG#14-#12 (INS DIAφ2.9~φ4.1)

25.5	12.75	1-1747416-2
21.8	9.05	1747416-2
L2	L1	PART NUMBER

THIS DRAWING IS UNPUBLISHED. AUG, 2004.

ALL INTERNATIONAL RIGHTS RESERVED.

© COPYRIGHT 2004 BY TYCO ELECTRONICS CORPORATION.

DIMENSIONS: ??? ? mm	DWN T.KUDO	26AUG2004	MATERIAL ??	COPPER ALLOY	FINISH ??		
	CHK D.MITSUGI	26AUG2004	Tyco Electronics Corporation Kawasaki, Japan				
TOLERANCES UNLESS OTHERWISE SPECIFIED: ????	APVD D.MITSUGI	26AUG2004					NAME ??
0 PLC ± -	PRODUCT SPEC ????	108-78182		SIZE	CAGE CODE	DRAWING NO	RESTRICTED TO
1 PLC ± -	APPLICATION SPEC ??????	114-5369		A4	00779	1747416	
2 PLC ± -	WEIGHT			SCALE ?? 4:1			SHEET 1 OF 1
3 PLC ± -				REV A			
4 PLC ± -				CUSTOMER DRAWING			
ANGLES ± -							

单击下面可查看定价，库存，交付和生命周期等信息

[>>TE Connectivity\(泰科\)](#)