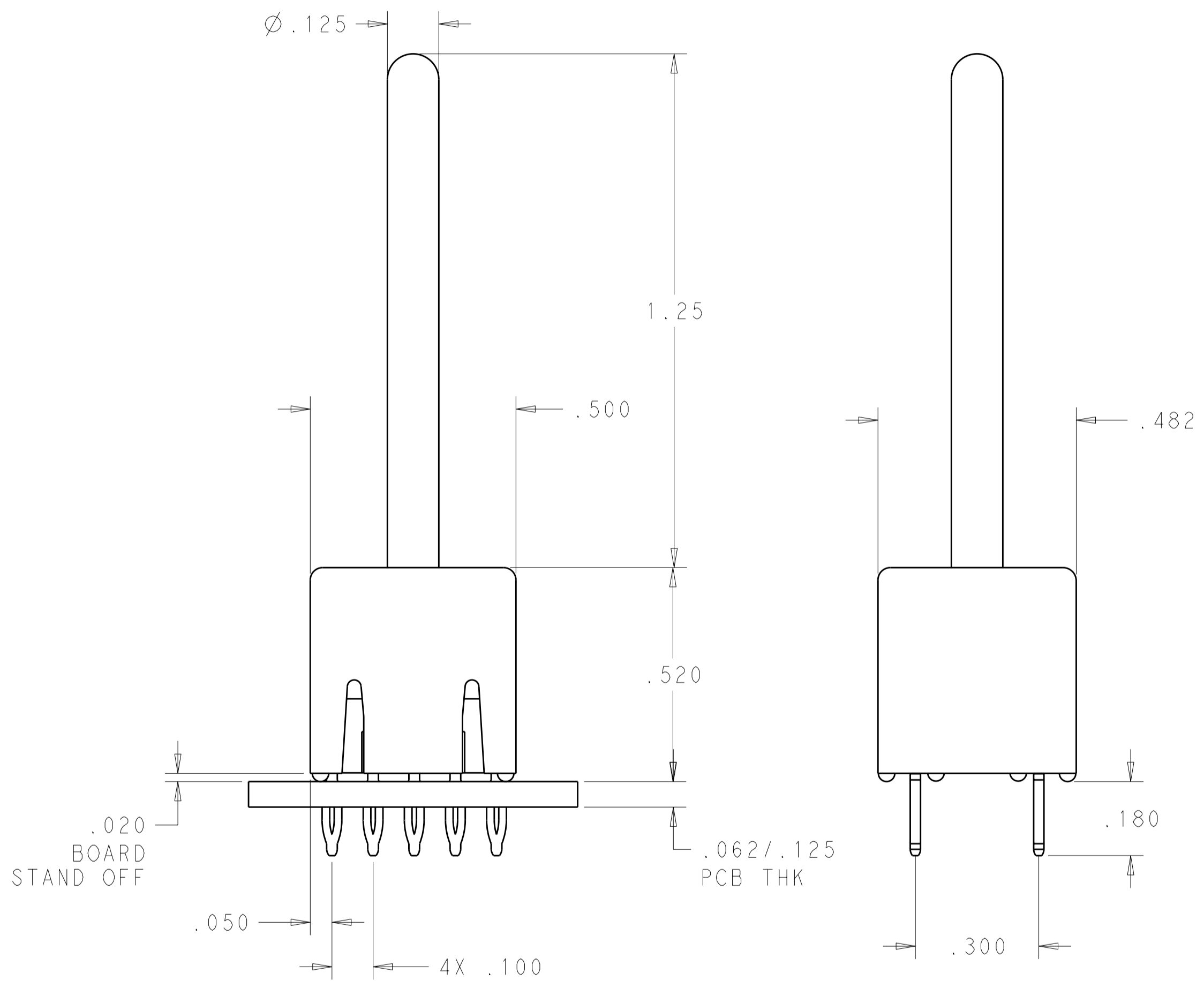
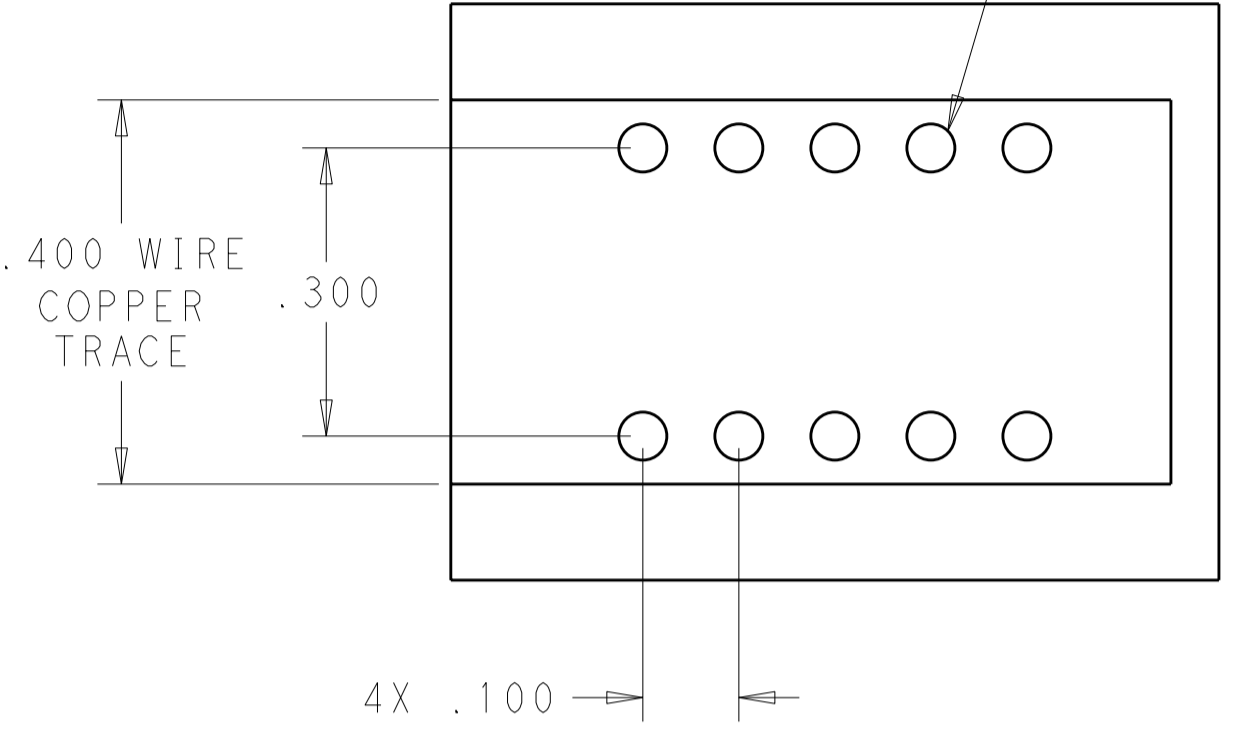


THIS DRAWING IS UNPUBLISHED. RELEASED FOR PUBLICATION 20
 © COPYRIGHT 20 BY TYCO ELECTRONICS CORPORATION. ALL INTERNATIONAL RIGHTS RESERVED.

REVISIONS					
P	LTR	DESCRIPTION	DATE	DWN	APVD
A		RELEASED	07OCT2010	RG	DO
B		REV PER ECO-10-022009	06DEC2010	RG	NE

RECOMMENDED PRINTED CIRCUIT HOLE
 COMPLIANT PRESS FIT
 DRILLED HOLE: $\varnothing .0453 \pm .0005$
 COPPER PLATE: .0010 - .0020 (PER SURFACE)
 TIN PLATE: .00002 MIN. (PER SURFACE)
 10X



1. ITEMS PROVIDED TO THIS SPECIFICATION SHALL BE IDENTIFIED ON THE CONTAINER WITH THE FOLLOWING INFORMATION:
 PART NUMBER AND DATE CODE OF MANUFACTURING.

2 MATERIAL:
 INSULATOR: POLYESTER, GLASS FILLED, COLOR BLACK
 94V-0 RATED
 SOCKET BODY: ZINC METAL CASTING
 CROWN BAND: BERYLLIUM COPPER
 PIN CONTACT: BRASS ALLOY
 COMPLIANT PIN: PHOSPHOR BRONZE

3 FINISH:
 CROWN BAND: GOLD PLATE .000030 MIN THK. OVER
 NICKEL .000040 MIN THK.
 COMPLIANT TAIL: SILVER PLATE .000200 MIN THK. OVER
 NICKEL .000040 MIN THK.
 SOCKET BODY: SILVER PLATE .000200 MIN THK. OVER
 NICKEL .000040 MIN THK.

4. FOR APPLICATIONS UTILIZING AN IMMERSION SILVER PLATED PCB, CONSULT TYCO ELECTRONICS ENGINEERING

2085595-1
 PART NUMBER

THIS DRAWING IS A CONTROLLED DOCUMENT FOR TYCO ELECTRONICS CORPORATION. IT IS SUBJECT TO CHANGE AND THE CONTROLLING ENGINEERING ORGANIZATION SHOULD BE CONTACTED FOR THE LATEST REVISION.		DWN R. GRZYBOWSKI 30SEP2010	Tyco Electronics Corporation Harrisburg, PA 17105-3608	
DIMENSIONS: INCHES		CHK D. ORRIS 30SEP2010	NAME ICCON, PIN, SIZE 8, PERPENDICULAR COMPLIANT TAIL, 10 PIN FOOT PRINT NON LOCKING STYLE, 1.250 PIN EXT.	
TOLERANCES UNLESS OTHERWISE SPECIFIED: 0 PLC ± 1 PLC ±.02 2 PLC ±.010 3 PLC ± 4 PLC ANGLES ±3 FINISH		APVD D. ORRIS 30SEP2010	SIZE A200779	CAGE CODE C-2085595
MATERIAL		PRODUCT SPEC -	DRAWING NO 2085595	RESTRICTED TO -
2		APPLICATION SPEC -	SCALE 4:1	SHEET 1 OF 1
3		WEIGHT -	REV B	
CUSTOMER DRAWING				

单击下面可查看定价，库存，交付和生命周期等信息

[>>TE Connectivity\(泰科\)](#)