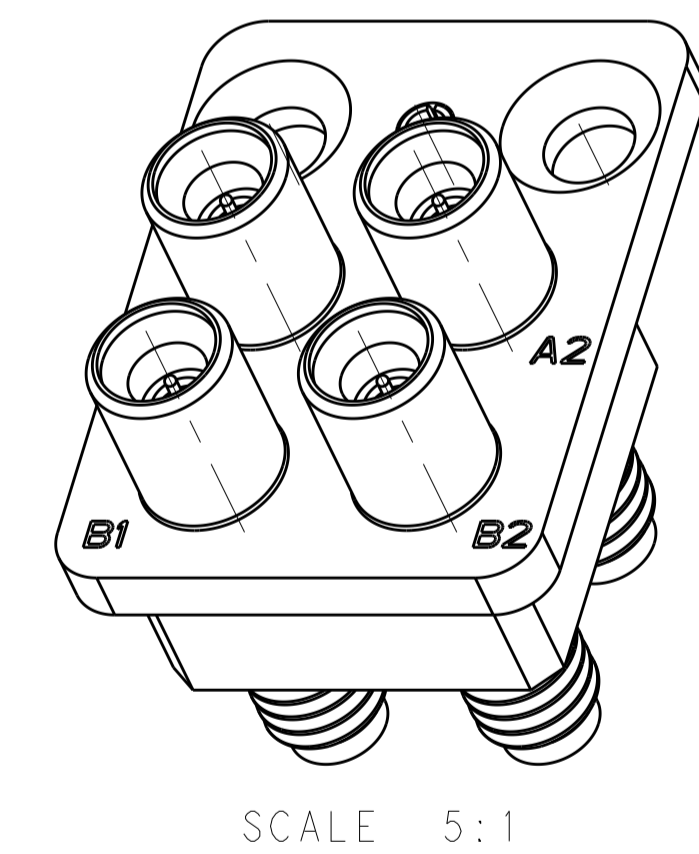
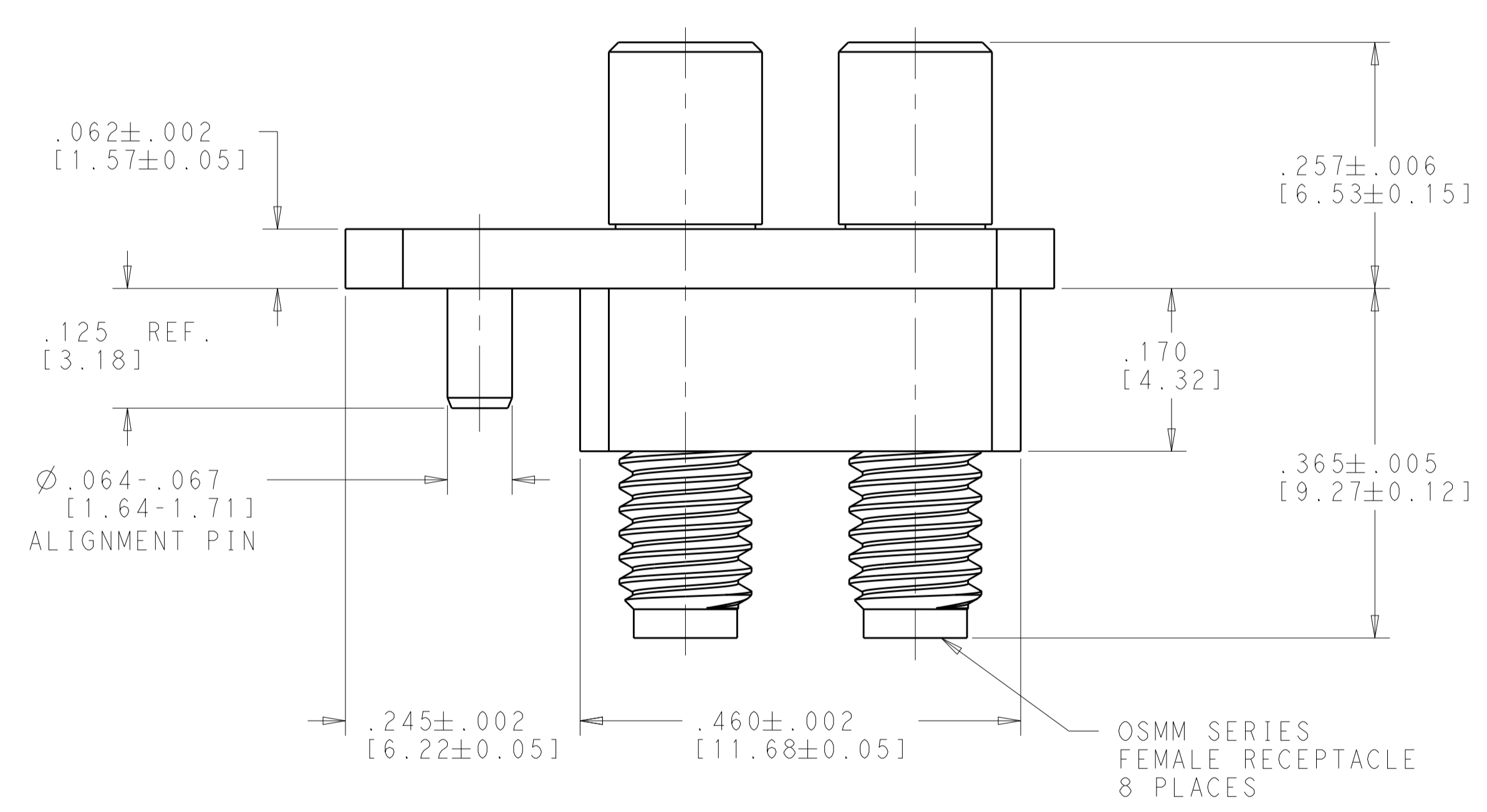
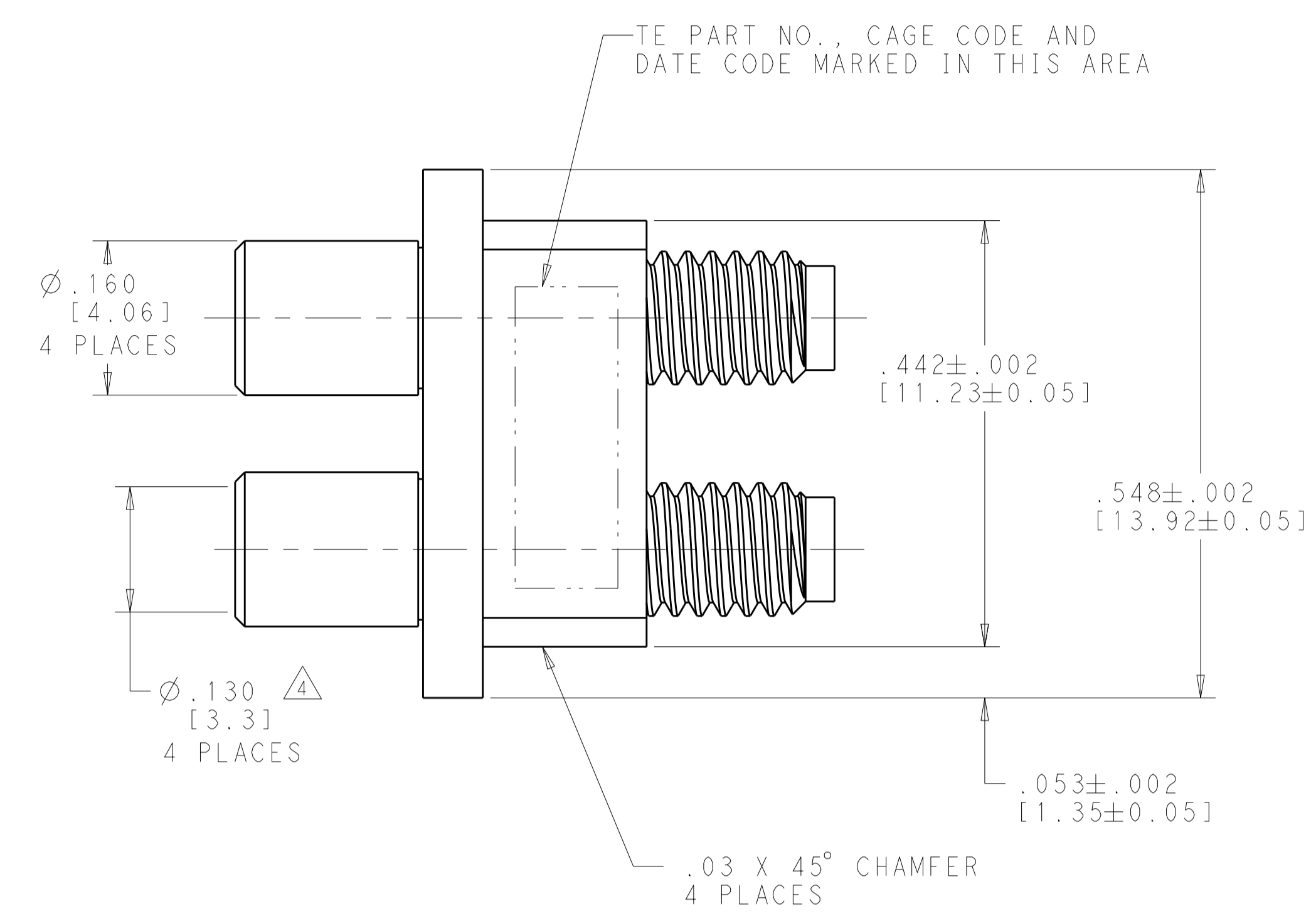
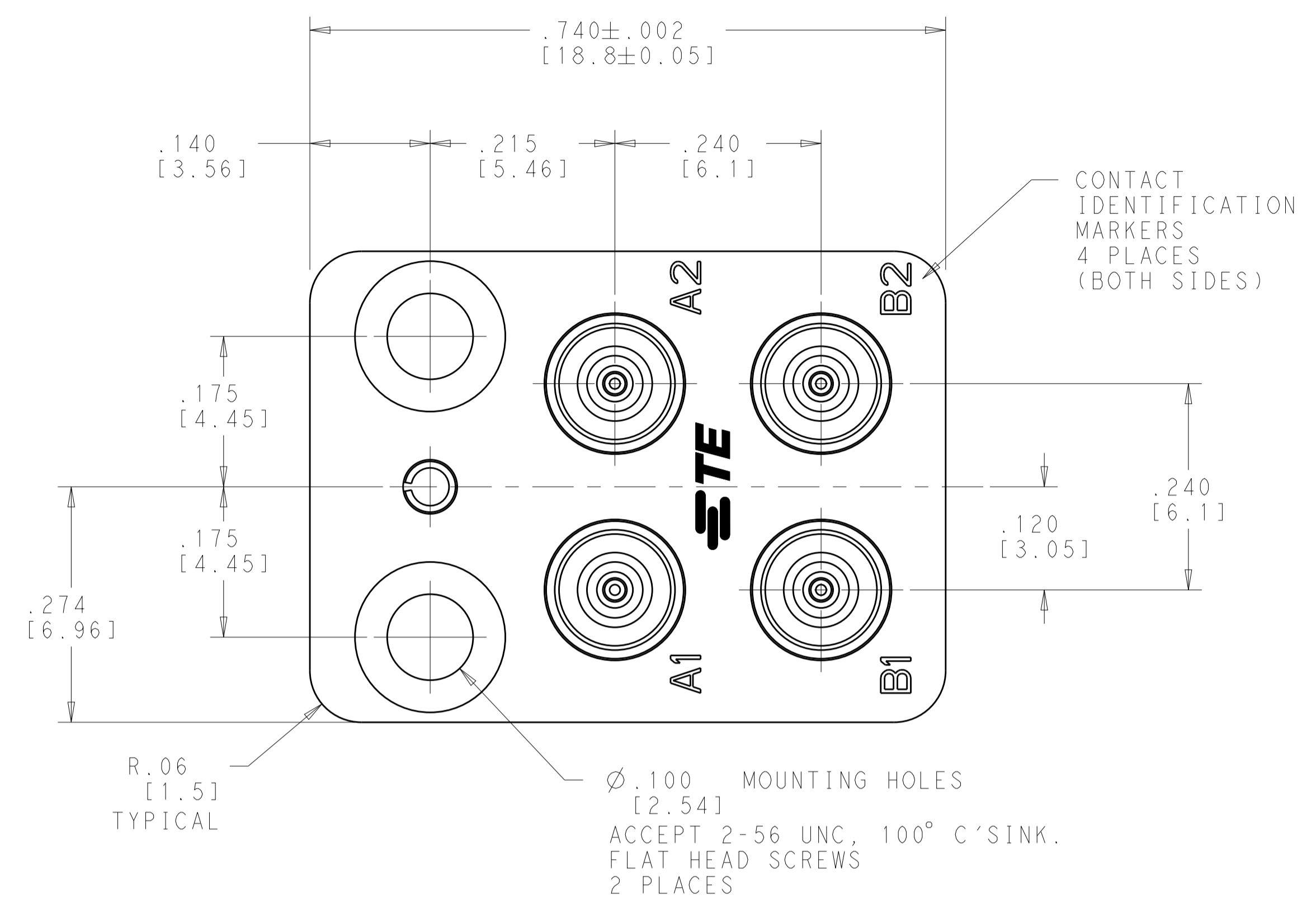


LOC	DIST	REV	DESCRIPTION	DATE	DWN	APVD
-	-	G	RELEASED PER ECO 11-025271	2-21-12	CT	WM
-	-	H	REVISED PER ECO-15-011822	24NOV2015	RS	CT



- 1 MATERIAL:
SMOOTHBORE SMPM CONNECTOR BODY & CENTER CONTACT - BERYLLIUM COPPER, ALLOY UNS C17300 CONDITION TDO4, PER ASTM B196
INSULATORS - TEFLON (PTFE) ROD, PER ASTM D 1710
MODULE BODY - STAINLESS STEEL, PER UNS 30300
SLOTTED SPRING PIN - NICKEL STAINLESS STEEL
- 2 FINISH:
MODULE BODY, CONNECTOR BODIES AND CENTER CONTACTS - GOLD PLATE OVER NICKEL
SLOTTED SPRING PIN - PASSIVATED
- 3 FINISH:
MODULE BODY, OSMM CONNECTOR & SLOTTED SPRING PIN - PASSIVATED
SMOOTHBORE SMPM CONNECTOR BODY & CENTER CONTACT - GOLD PLATED OVER NICKEL
- 4 SMPM MALE SMOOTH BORE INTERFACE PER MIL-STD-348, EXCEPT AS NOTED

OBSOLETE	3	2101510-2
	2	2101510-1
	SURFACE FINISH	PART NUMBER

THIS DRAWING IS A CONTROLLED DOCUMENT. DWN: S T Morley 19AUG2009
CHK: S T Morley 19AUG2009
APVD: S T Morley 19AUG2009

DIMENSIONS: [INCHES(mm)] TOLERANCES UNLESS OTHERWISE SPECIFIED:
0 PLC ±
1 PLC ±
2 PLC ±
3 PLC ±.005 (0.13)
4 PLC ±
ANGLES ±

MATERIAL: SEE TABLE FINISH: SEE TABLE

WEIGHT: CUSTOMER DRAWING

SCALE: 8:1 SHEET 1 OF 1 REV H

NAME: 4 POSITION P.C.B. MOUNT R.F. MODULE SMPM SMOOTH BORE (M) TO OSMM (F) VITA 67, BACKPLANE
SIZE: A1 CAGE CODE: 00779 DRAWING NO: 2101510

单击下面可查看定价，库存，交付和生命周期等信息

[>>TE Connectivity\(泰科\)](#)