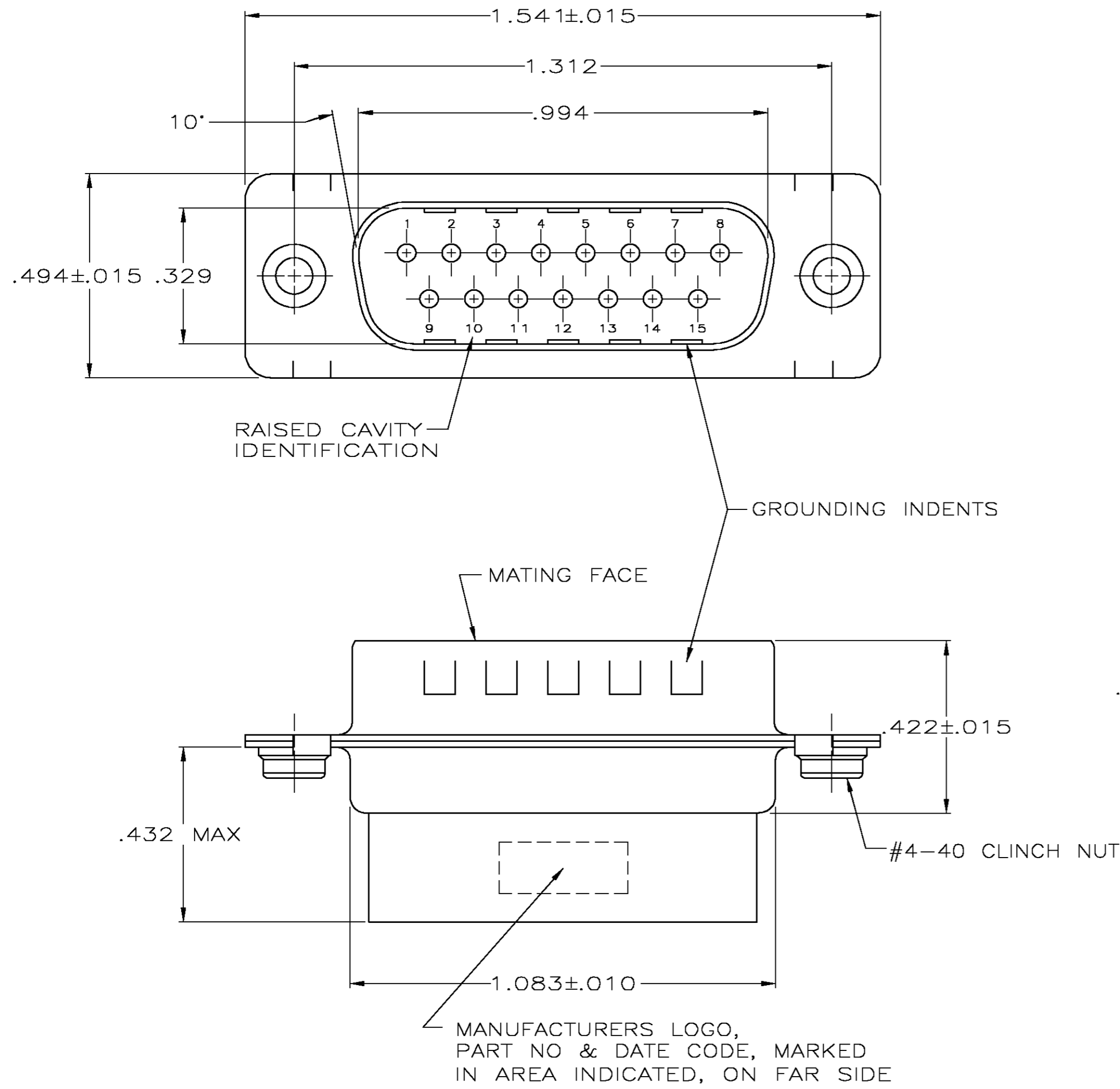
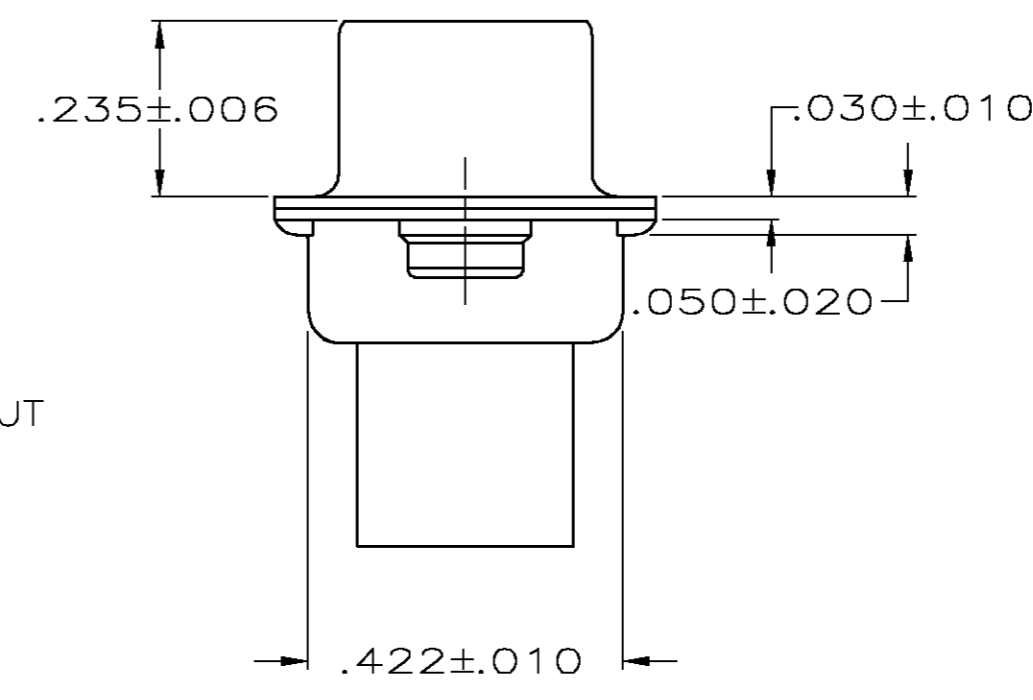


THIS DRAWING IS UNPUBLISHED. RELEASED FOR PUBLICATION
 © COPYRIGHT BY TYCO ELECTRONICS CORPORATION. ALL RIGHTS RESERVED.

LOC		DIST		REVISIONS			
P	LTR	DESCRIPTION		DATE	DWN	APVD	
0		RELEASED PER EC 0S13-0257-04		11-10-04	GA	JG	



- 1. CONNECTOR ACCEPTS SIZE 20 DF PIN CONTACTS, RETENTION TINES ARE AN INTEGRAL PART OF INSERT.
- 2. MOLDED PARTS: FLAME RETARDANT 94V-0 RATED THERMOPLASTIC; COLOR: BLACK.
- 3. SHELLS & CLINCH NUTS: STEEL PER ASTM A109.
- 4. SHELLS: .000200 MIN TIN OVER .000100 MIN COPPER. CLINCH NUTS: CLEAR CHROMATE OVER ZINC.



5745908-2
 PART NUMBER

THIS DRAWING IS A CONTROLLED DOCUMENT.		DWN G. ATTADIA - DOCK5 11-10-04	Tyco Electronics Corporation Harrisburg, PA 17105-3608	
DIMENSIONS: INCHES		CHK J. GERACE 11-10-04	NAME M. WALMSLEY 11-10-04	
TOLERANCES UNLESS OTHERWISE SPECIFIED:		APVD M. WALMSLEY 11-10-04	PRODUCT SPEC 108-40005	
0 PLC ± -	1 PLC ± -	APPLICATION SPEC 114-40030	SIZE A2	CAGE CODE 00779
2 PLC ± -	3 PLC ± .005	WEIGHT -	DRAWING NO C=5745908	
4 PLC ± -	ANGLES ± 2°	CUSTOMER DRAWING	SCALE 4:1	SHEET 1 OF 1
MATERIAL	FINISH	RESTRICTED TO		REV 0

5745908

单击下面可查看定价，库存，交付和生命周期等信息

[>>TE Connectivity\(泰科\)](#)

[>>点击查看相关商品](#)