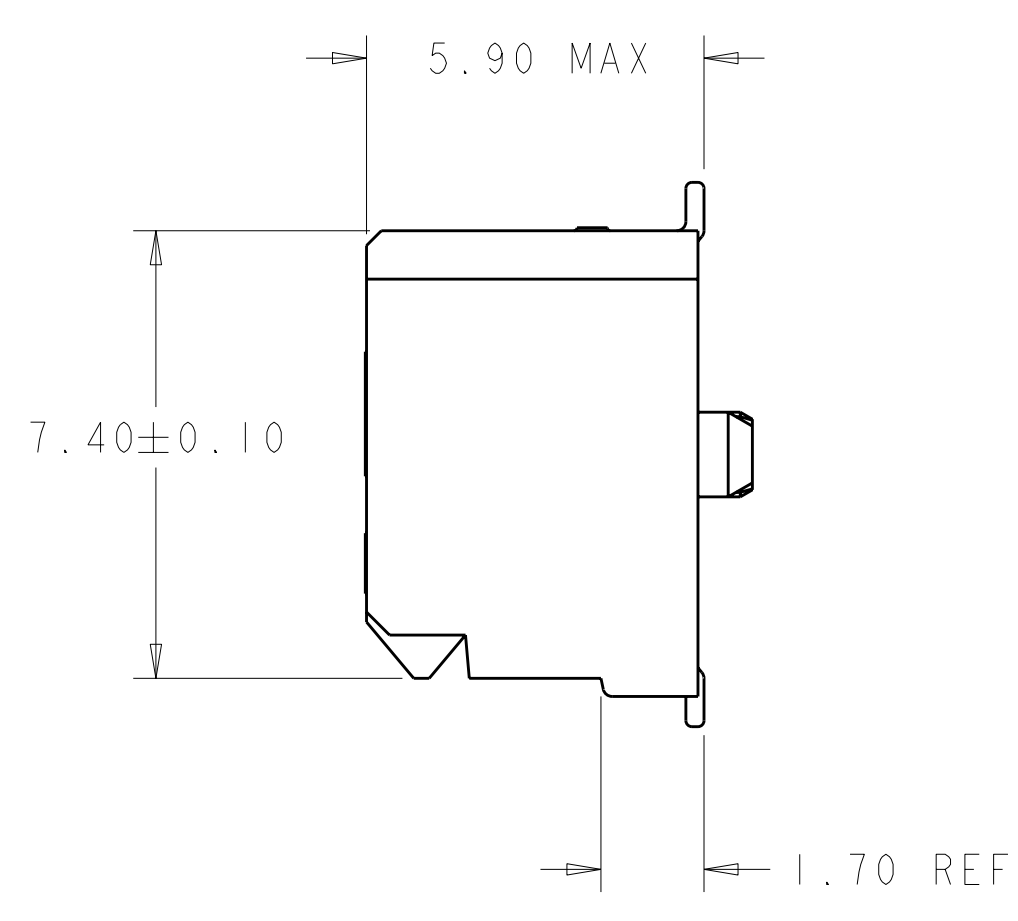
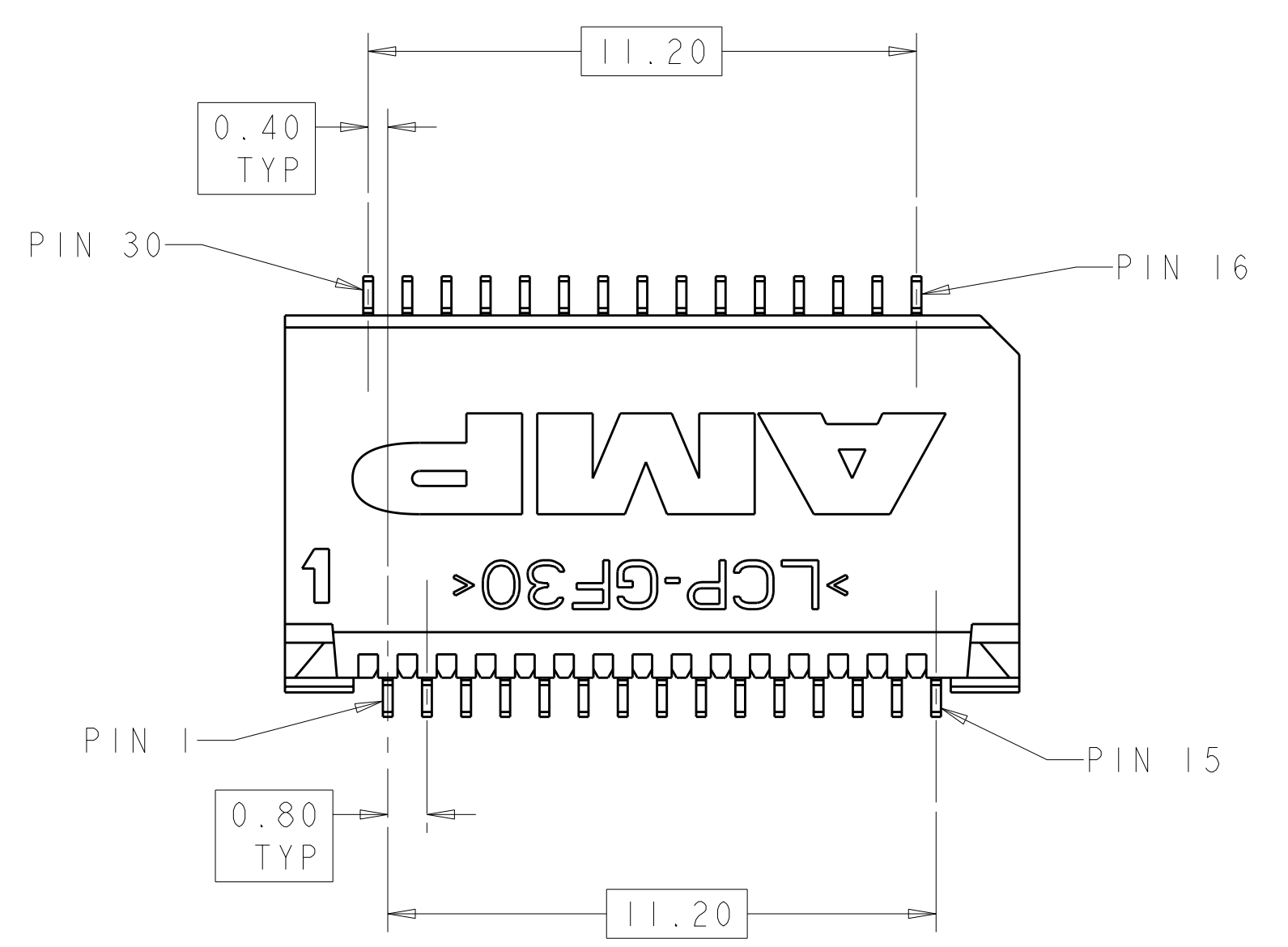
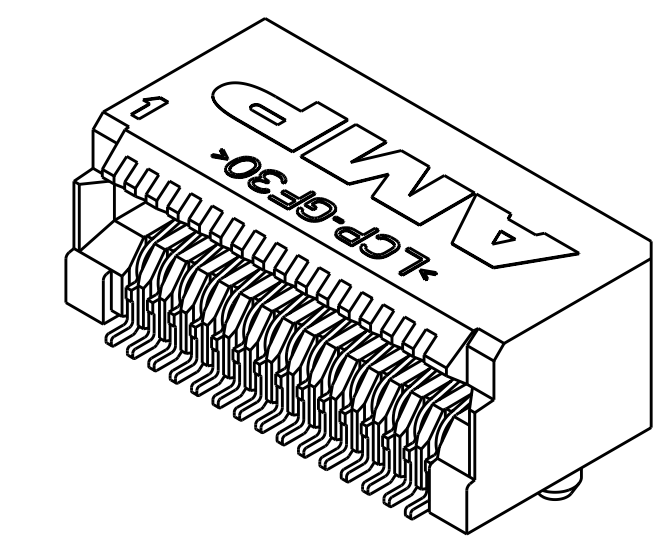
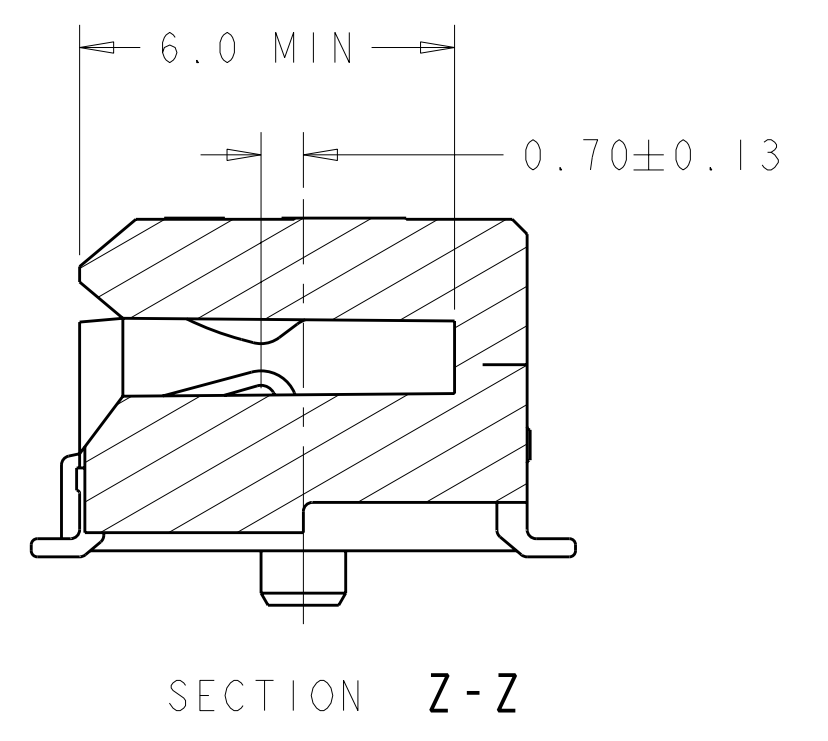
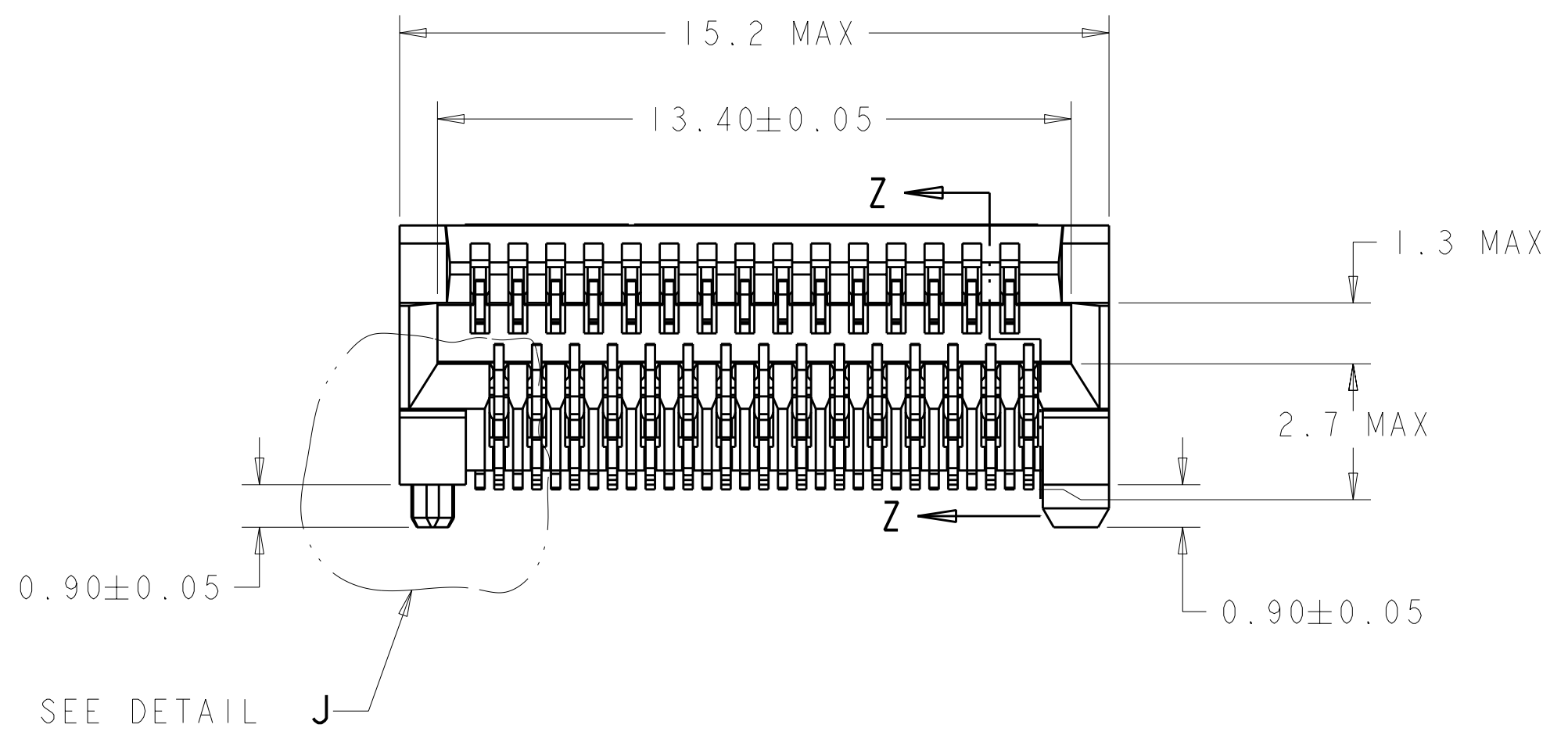


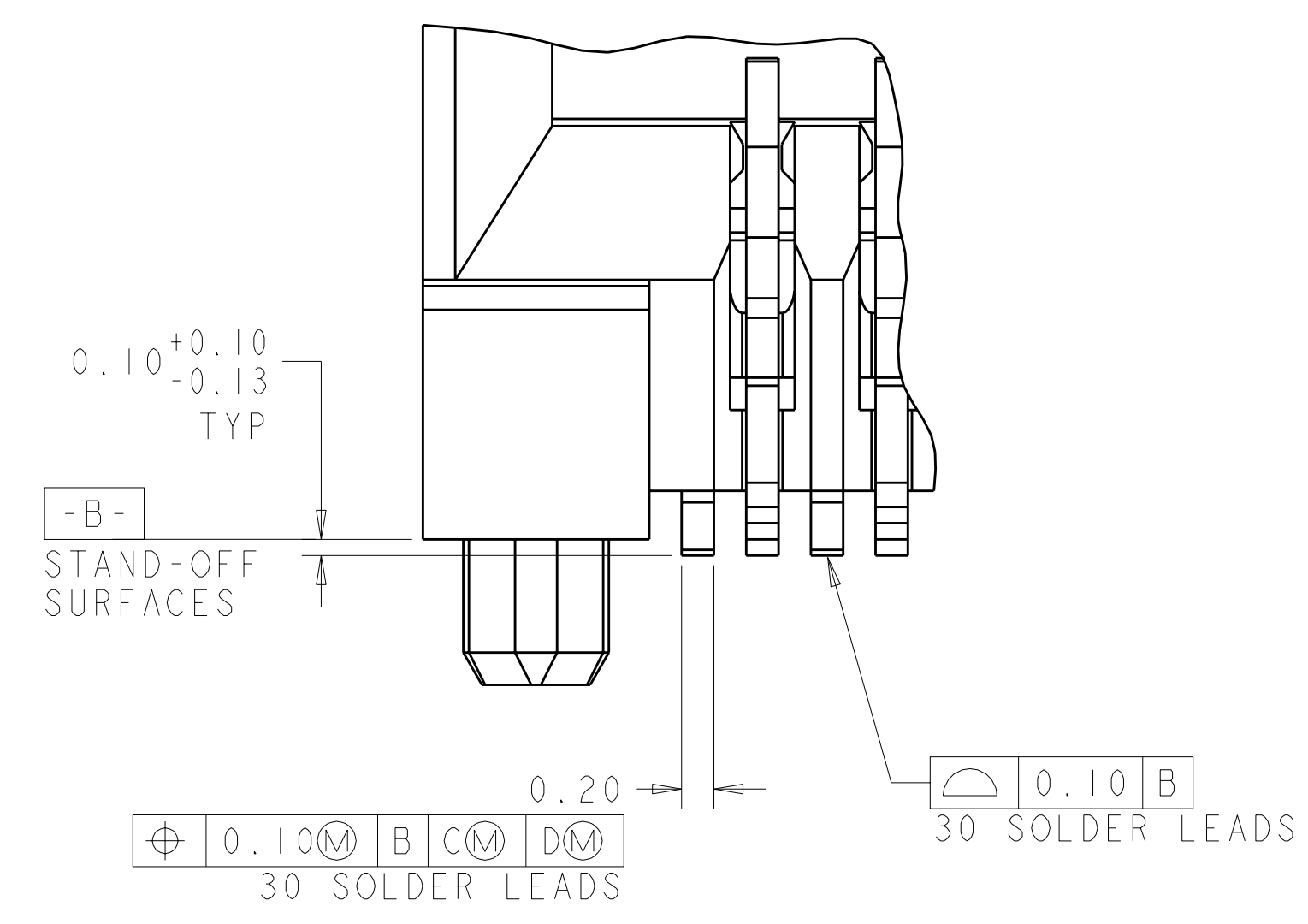
LOC	DIST	REV	DATE	BY	CHKD	APVD
ES	00	G1	14MAR2011	RK	HMR	



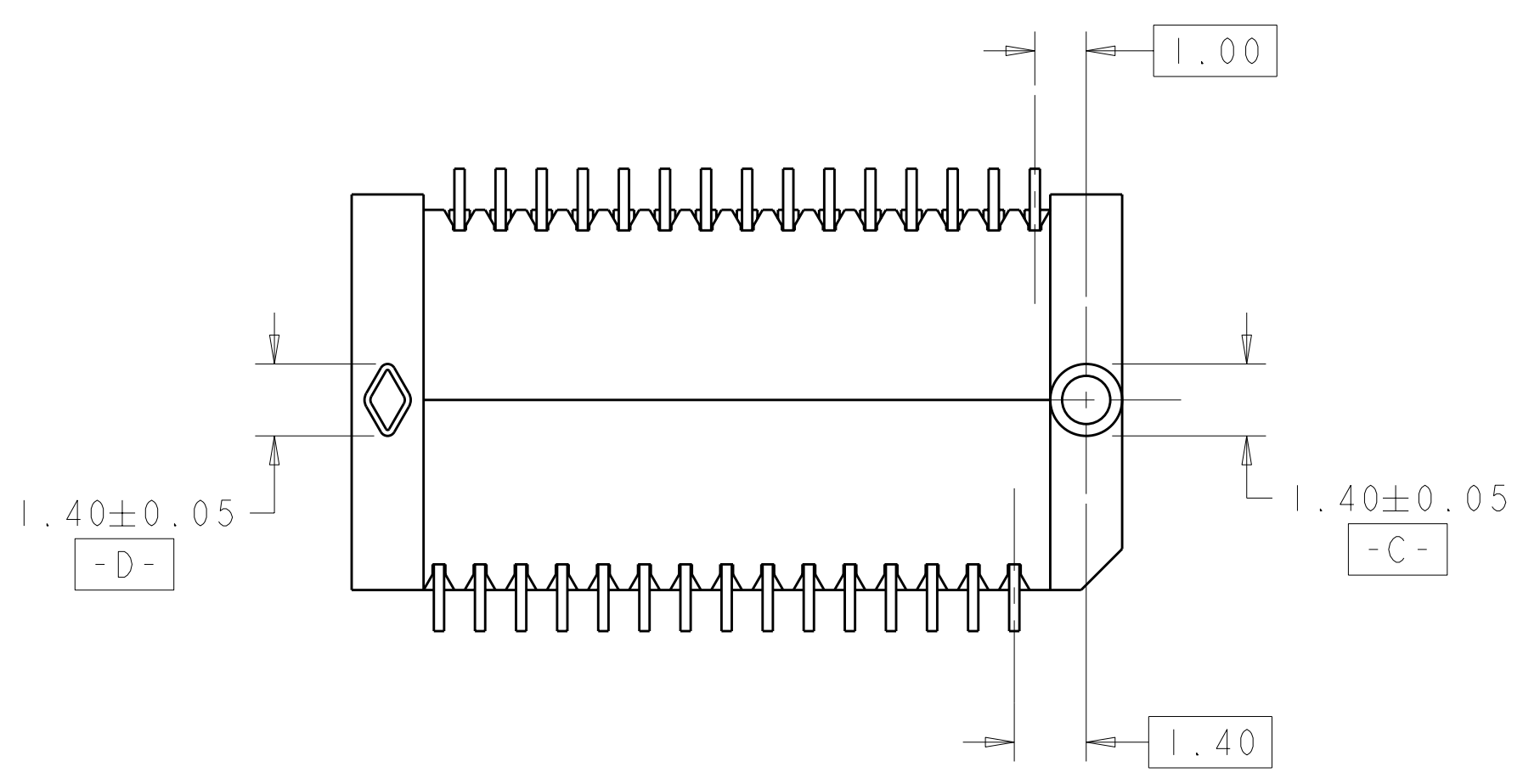
- PART COMPATIBLE WITH XFP MSA. REFER TO THE SFP MSA FOR DIMENSIONS NOT SHOWN ON THIS PRINT.
- HOUSING: HIGH TEMPERATURE LCP, UL 94V-0 RATED, BLACK. CONTACT: PHOSPHOR BRONZE.
- CONTACTS: 0.00038 MIN GOLD IN CONTACT AREA, 0.00013 MIN GOLD ON SOLDER AREA, OVER 0.0038 MIN NICKEL UNDERPLATE ON ENTIRE CONTACT.
- PACKAGED PIECES PER REEL.
- GROUND, POWER AND SIGNAL PAD ARRANGEMENT TO BE DETERMINED BY CUSTOMER.
- DATUMS AND BASIC DIMENSIONS ESTABLISHED BY CUSTOMER.
- CONTACTS: 0.00076 MIN GOLD IN CONTACT AREA, 0.00013 MIN GOLD ON SOLDER AREA, OVER 0.0038 MIN NICKEL UNDERPLATE ON ENTIRE CONTACT.
- SOLDER MASK KEEP OUT AREA.
- CONTACTS: 0.00127 MIN GOLD IN CONTACT AREA, 0.00013 MIN GOLD ON SOLDER AREA, OVER 0.0038 MIN NICKEL UNDERPLATE ON ENTIRE CONTACT.



SCALE 5:1



DETAIL J
SCALE 25:1

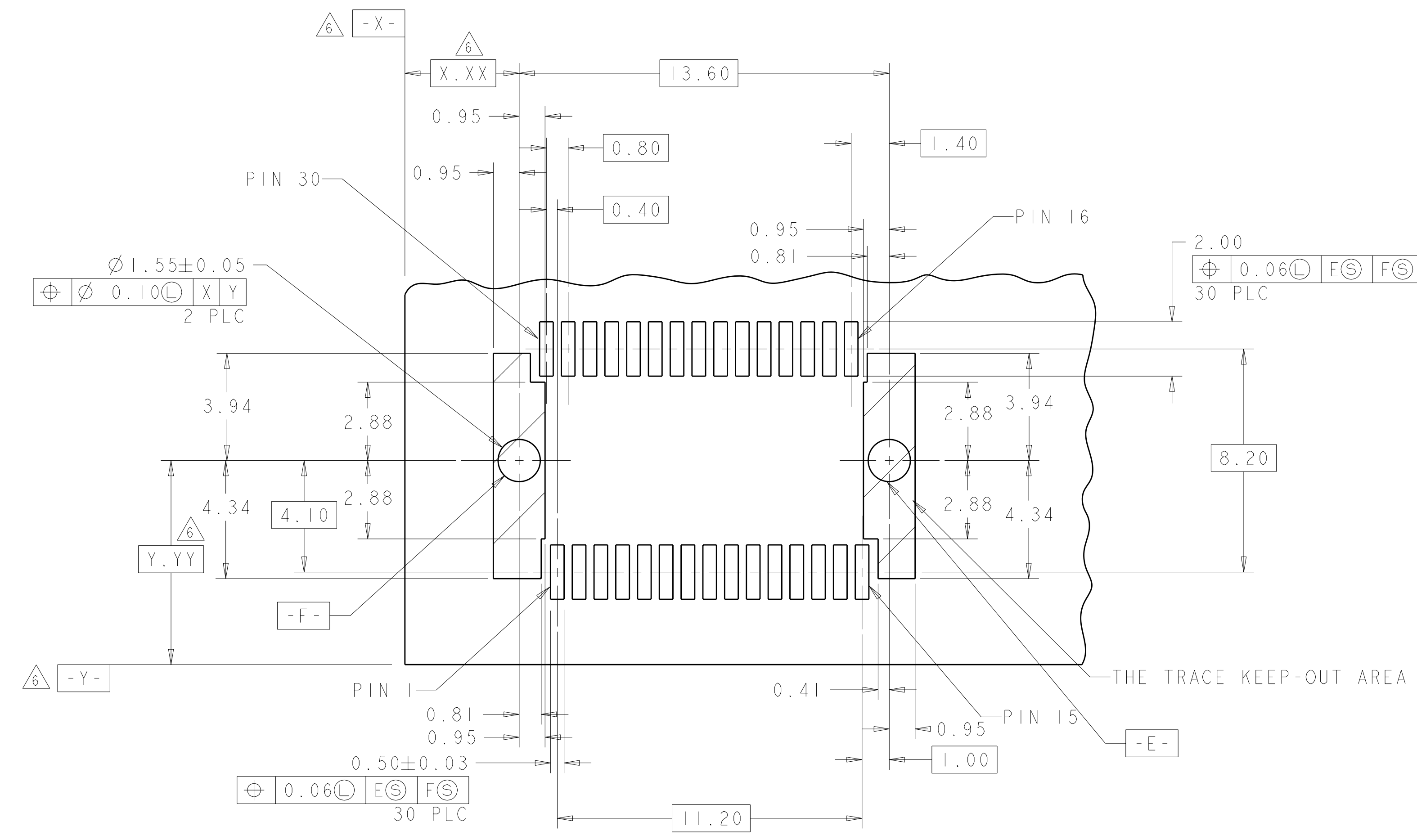


FINISH	PART NUMBER
9	788862-3
7	788862-2
3	788862-1

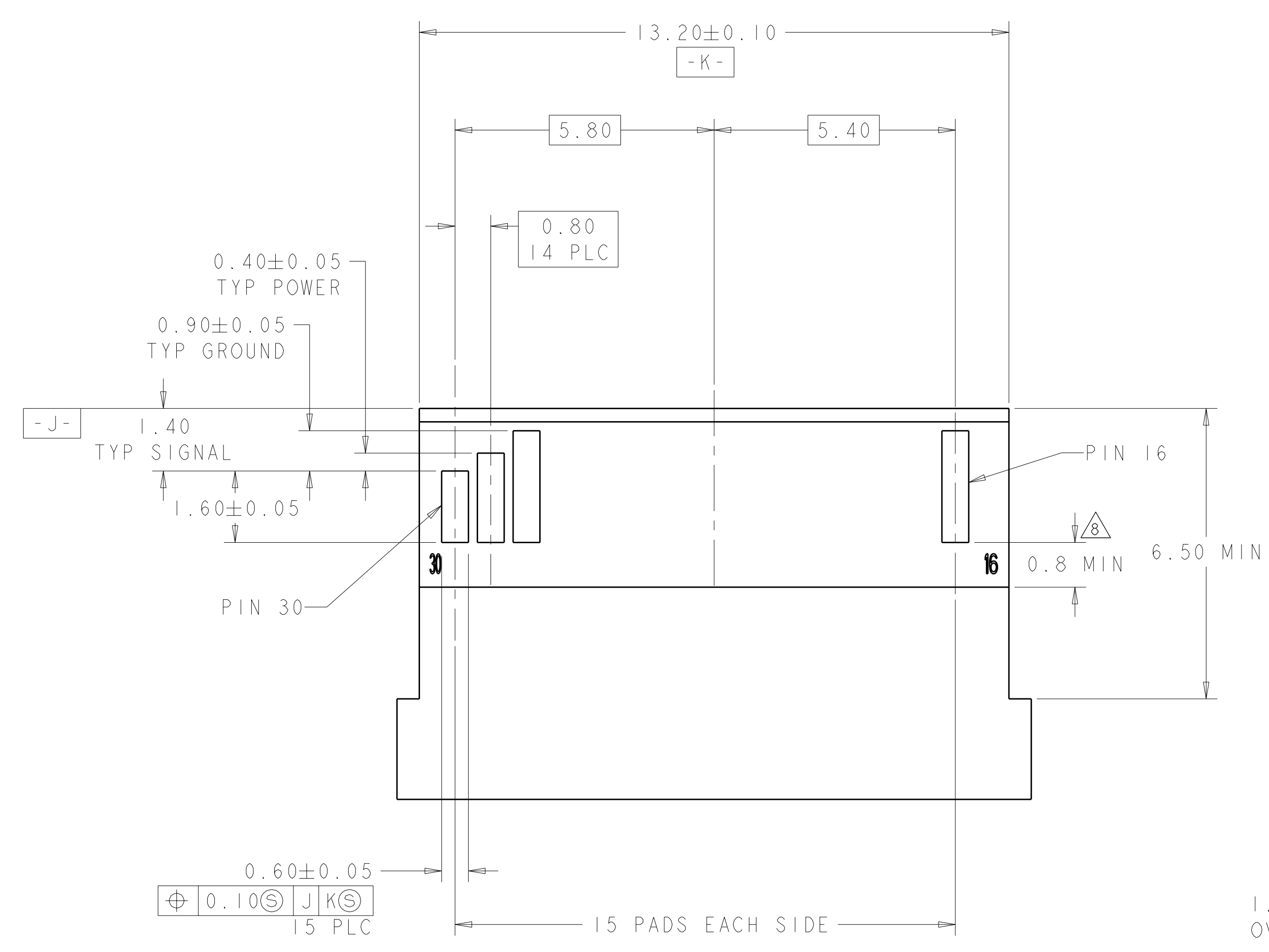
THIS DRAWING IS A CONTROLLED DOCUMENT.		DWN: J. GERACE 15JAN02 CHK: J. KOPPENHEFFER 15JAN02 APVD: M. WALMSLEY 15JAN02	NAME: PT CONNECTOR ASSEMBLY, 30 POSITION, XFP, RTANG, 0.8MM PITCH PRODUCT SPEC: 108-1949 APPLICATION SPEC: 114-13017
DIMENSIONS: mm TOLERANCES UNLESS OTHERWISE SPECIFIED: 9 PLC ± 3 PLC ±0.10 5 PLC ± 4 PLC ± ANGLES ±	MATERIAL: SEE TABLE FINISH: SEE TABLE	WEIGHT: - CUSTOMER DRAWING	SCALE: 8:1 SHEET: 1 OF 2 REV: G1

LOC	DIST	REV	DATE	BY	APPD
ES	00				

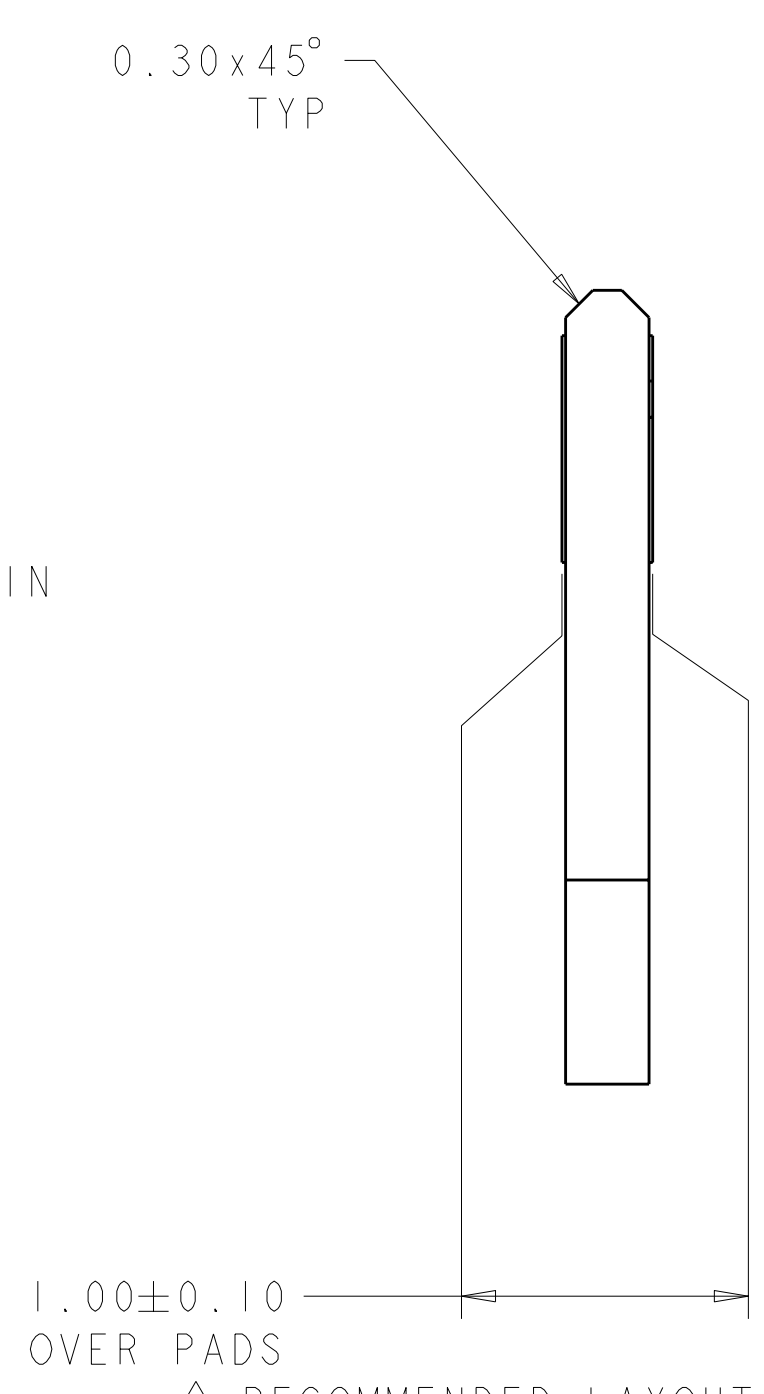
REVISIONS			
NO	DATE	DESCRIPTION	BY
1		SEE SHEET 1	



RECOMMENDED PCB LAYOUT DETAIL
CONNECTOR MOUNTING SIDE
SCALE 8:1

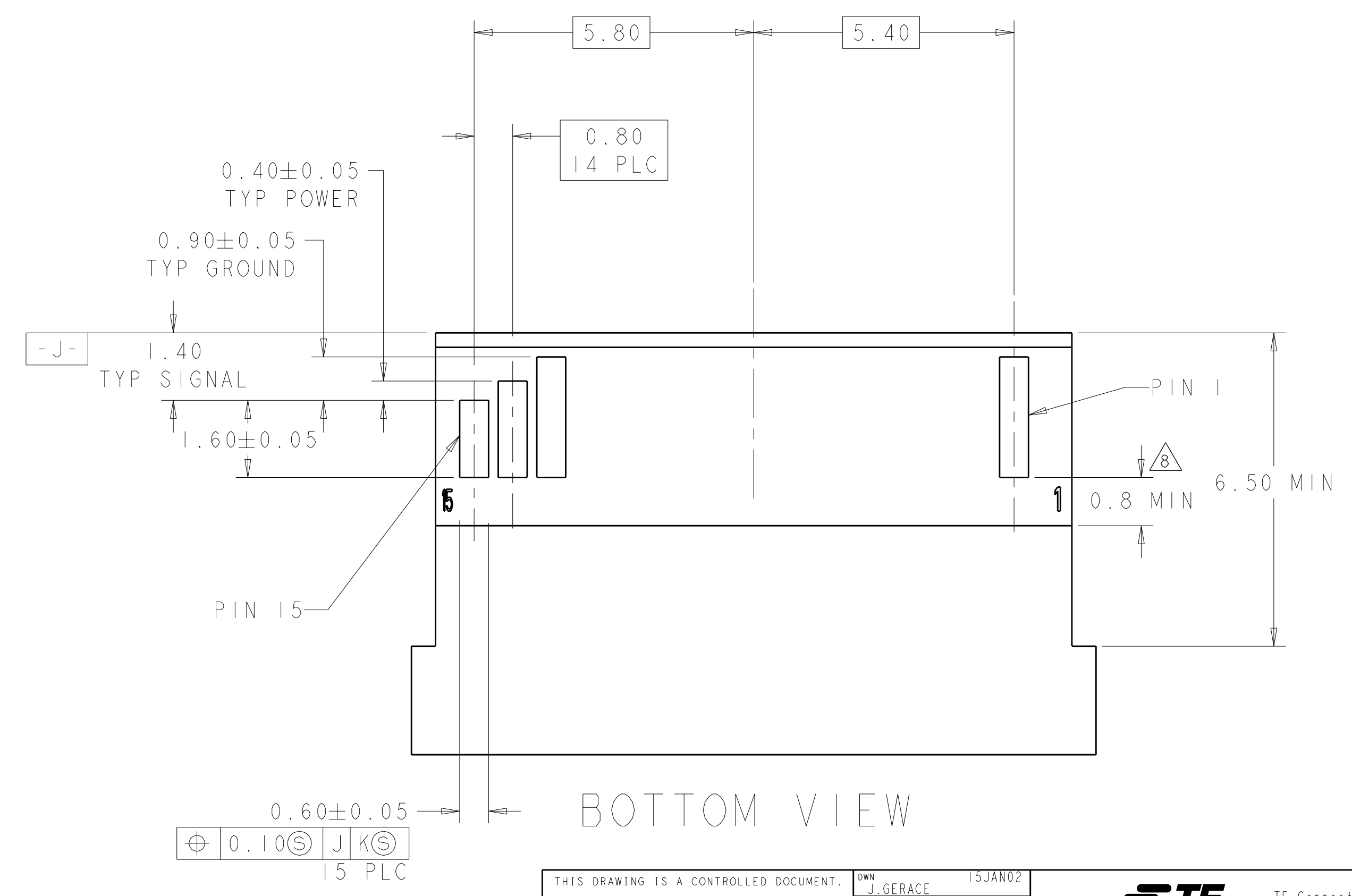


TOP VIEW



RECOMMENDED LAYOUT DETAIL
MATING PCB

SCALE 12:1



BOTTOM VIEW

THIS DRAWING IS A CONTROLLED DOCUMENT.		OWN: J. GERACE 15JAN02	TE Connectivity	
DIMENSIONS: mm		CHK: J. KOPPENHEFFER 15JAN02		
TOLERANCES UNLESS OTHERWISE SPECIFIED:		APPD: M. WALMSLEY 15JAN02	NAME: PT CONNECTOR ASSEMBLY, 30 POSITION, XFP, RTANG, 0.8MM PITCH	
9 PLC ±		PRODUCT SPEC: 108-1949	SIZE: CAGE CODE: DRAWING NO: RESTRICTED TO	
1 PLC ±0.10		APPLICATION SPEC: 114-13017	A100779C=788862	
5 PLC ±		WEIGHT: -	SCALE: 8:1 SHEET: 2 OF 2 REV: G1	
4 PLC ±		CUSTOMER DRAWING		
ANGLES ±				
FINISH: -				

单击下面可查看定价，库存，交付和生命周期等信息

[>>TE Connectivity\(泰科\)](#)