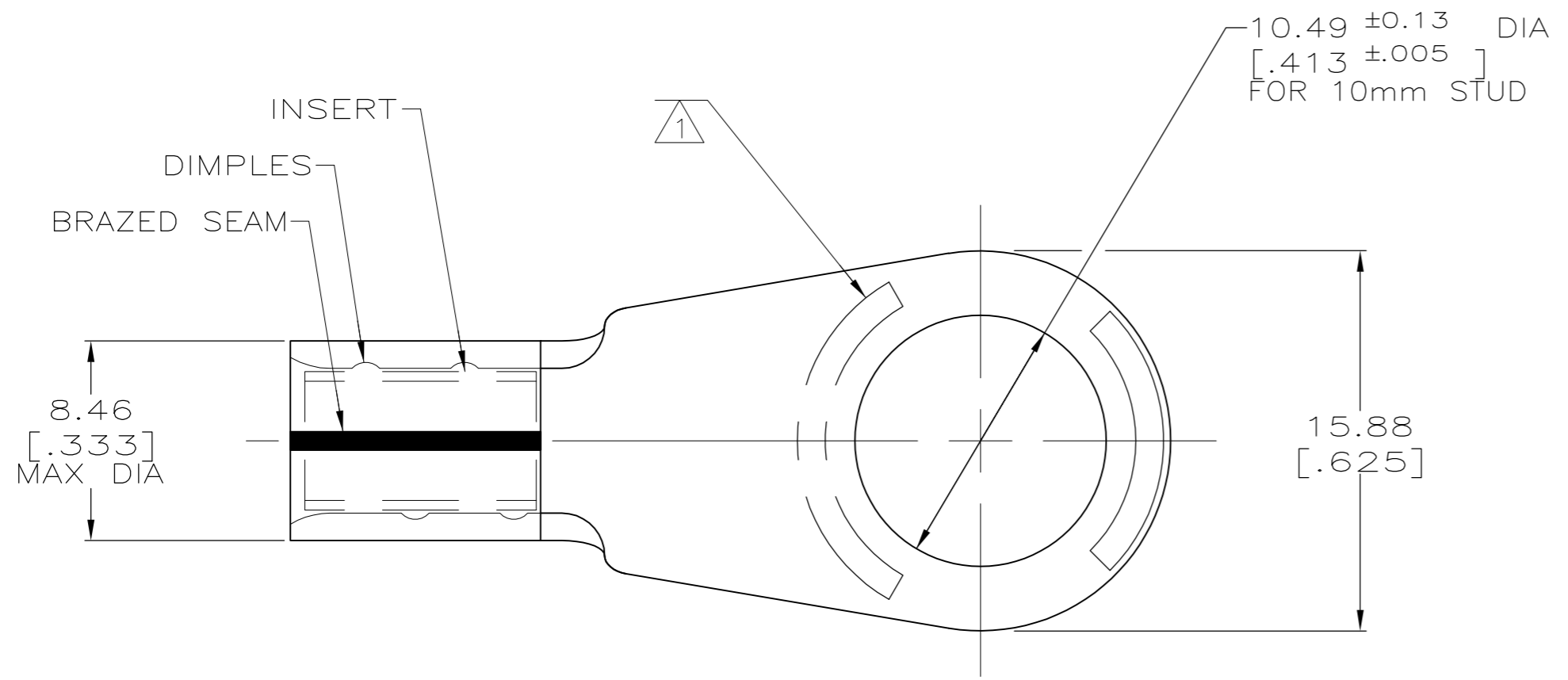
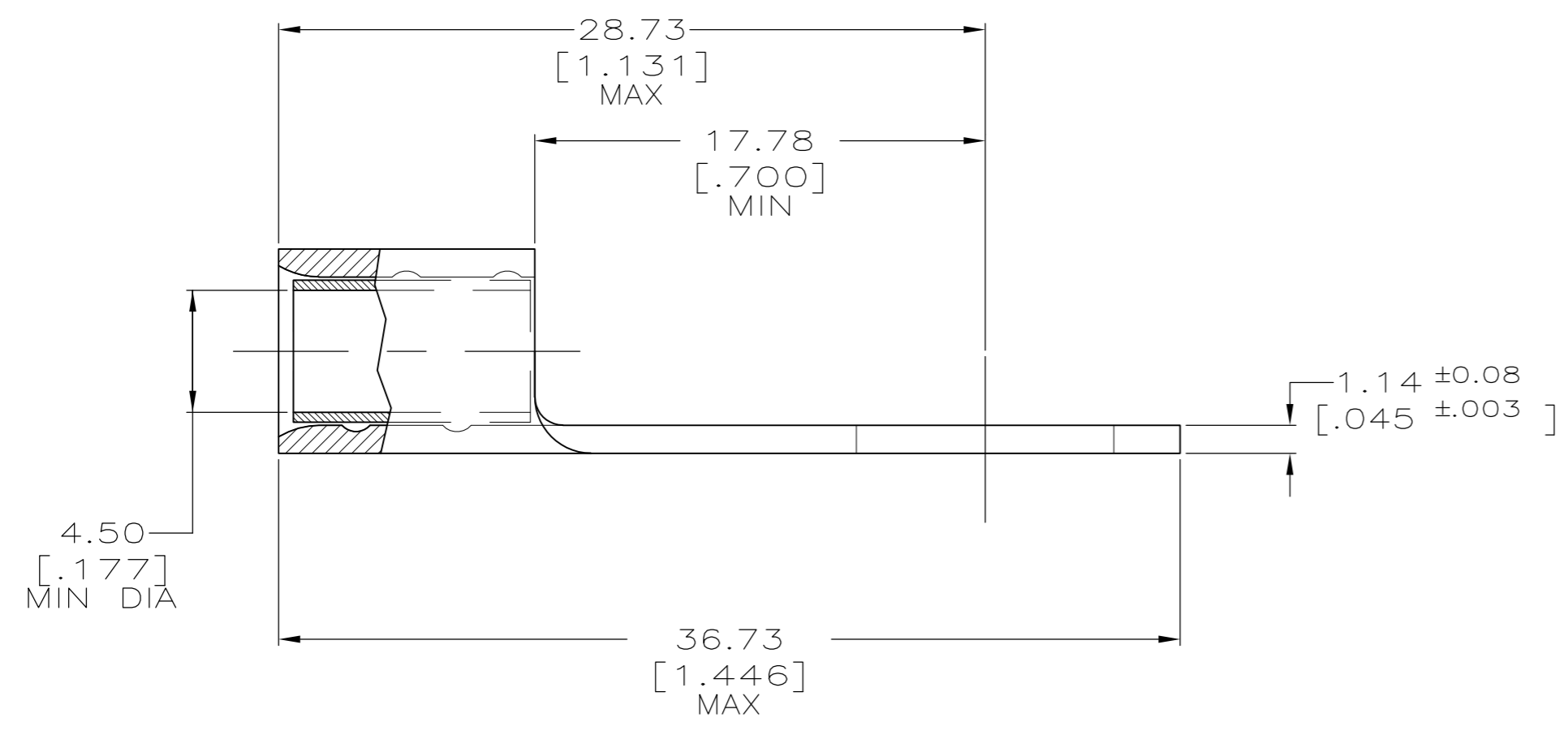


THIS DRAWING IS UNPUBLISHED. RELEASED FOR PUBLICATION
 © COPYRIGHT - By - ALL RIGHTS RESERVED.

LOC		DIST		REVISIONS			
P	LTR	DESCRIPTION	DATE	DWN	APVD		
	A	REV PER ECO 13-016525	12-10-13	CT	JW		



1 STAMP AMP 8 AL90CU APPROX AS SHOWN



AMP INCORPORATED CUSTOMER SERVICE SYSTEMS		MAX RECOMMENDED OPERATING TEMPERATURE: 150° C MAX
FOR ADDITIONAL PRODUCT INFORMATION OR COPIES OF DRAWINGS AND TECHNICAL DOCUMENTS	PRODUCT INFORMATION CENTER 1-800-522-6752	VOLTAGE RATING: NOT APPLICABLE
FOR APPLICATION TOOLING INFORMATION	TOOLING ASSISTANCE CENTER 1-800-722-1111	WIRE CROSS SECTIONAL AREA RANGE: 6.64-10.5mm ² [13,100-20,800] CIR MILS SOLID OR STRANDED
FOR ORDER ENTRY	1-800-526-5142	THIS DRAWING IS A CONTROLLED DOCUMENT FOR AMP INCORPORATED. IT IS SUBJECT TO CHANGE AND THE CONTROLLING ENGINEERING ORGANIZATION SHOULD BE CONTACTED FOR THE LATEST REVISION.

BODY: COPPER PER ASTM B-152 TIN PLATE 0.00254[.000100] MIN THK PER MIL-T-10727	184076-1
INSERT: COPPER PER ASTM B-152 TIN PLATE 0.00254[.000100] MIN THK PER MIL-T-10727	
MATERIAL & FINISH	
PART NO	

THIS DRAWING IS A CONTROLLED DOCUMENT.		DWN DK SCHRUM 18JUL94	STE TE Connectivity	
		CHK AJ KAUFMAN 20JUL94		
DIMENSIONS: INCHES	TOLERANCES UNLESS OTHERWISE SPECIFIED:	APVD -	NAME	
	0 PLC ± -	PRODUCT SPEC	TERMINAL, RING TONGUE, COPALUM TM	
	1 PLC ± -	APPLICATION SPEC	SIZE	CAGE CODE
	2 PLC ± -		A2	00779
	3 PLC ± -		DRAWING NO	RESTRICTED TO
MATERIAL SEE TABLE	FINISH SEE TABLE	WEIGHT -	C=184076	
CUSTOMER DRAWING		SCALE 4:1	SHEET 1 of 1	REV A

单击下面可查看定价，库存，交付和生命周期等信息

[>>TE Connectivity\(泰科\)](#)