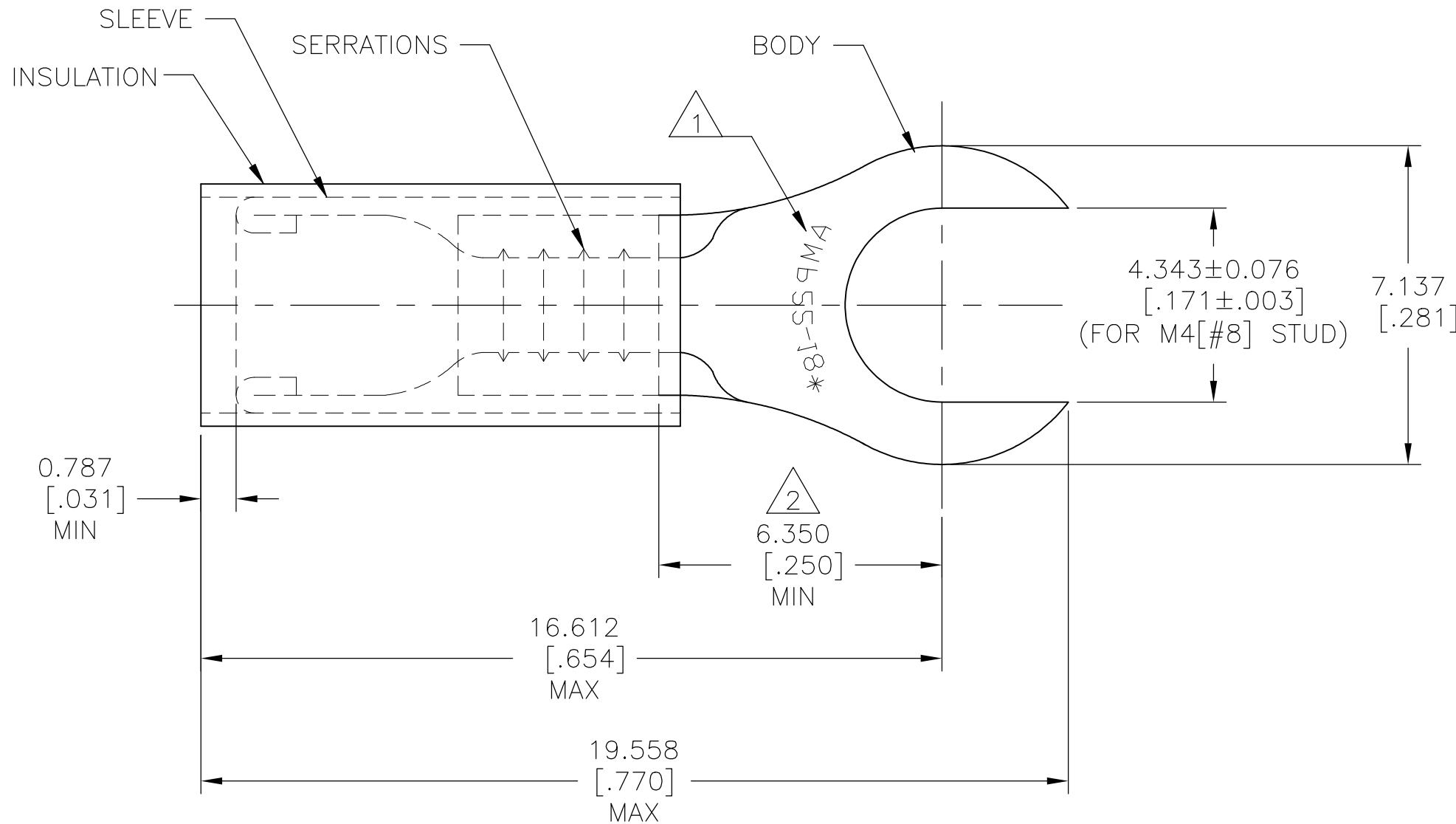


REVISIONS				
P	LTR	DESCRIPTION	DATE	APVD
	K2	REVISED PER ECO-17-008114	08JUN2018	RS DR

<b>AMP</b> WIRE RANGE	E13288 Listed	LR7189 Certified
22-16 AWG SOLID OR STRANDED	22-16 AWG SOLID OR STRANDED	22-16 AWG SOLID OR STRANDED



- 1 MARKING 22-18 FOR MILITARY COMMERCIAL RANGE 22-16
- 2 APPLIES FROM EDGE OF METAL WIRE BARREL TO CENTER OF STUD HOLE
- 3 FOR 2.667 TO 3.556 [.105 TO .140] WIRE INSULATION DIA
- 4 BODY MATERIAL THK: 0.787±0.051 [.031±.002]
- 5 MATERIAL:  
BODY & SLEEVE: COPPER PER ASTM B152  
INSULATION: NYLON
- 6 FINISH:  
BODY & SLEEVE TIN PLATE PER ASTM B545  
0.00254 [.000100]  
INSULATION: COLOR - RED

100	LOOSE PC, BOX	8-36954-1
1000	LOOSE PIECE	36954
QTY	DESCRIPTION	PART NO

AMP INCORPORATED CUSTOMER SERVICE SYSTEMS		THIS DRAWING IS A CONTROLLED DOCUMENT.		DWN RAVI S 08JUN2018	TE Connectivity Ltd.				
FOR ADDITIONAL PRODUCT INFORMATION OR COPIES OF DRAWINGS AND TECHNICAL DOCUMENTS PRODUCT INFORMATION CENTER 1-800-522-6752		DIMENSIONS: mm [INCHES]		CHK ROHDE DANIEL 08JUN2018				NAME WIRE TERMINAL P.I.D.G. - RING TONGUE WIRE SIZE: 22-16 AWG	
FOR APPLICATION TOOLING ASSISTANCE CENTER TOOLING INFORMATION 1-800-722-1111		TOLERANCES UNLESS OTHERWISE SPECIFIED: 0 PLC ± - 1 PLC ± - 2 PLC ± - 3 PLC ± 0.127 [.005] 4 PLC ± - ± 5° ANGLES		APVD ROHDE DANIEL 08JUN2018	PRODUCT SPEC UL 486 A-B				
FOR ORDER ENTRY 1-800-526-5142		MATERIAL 5		FINISH 6	APPLICATION SPEC 114-2157	SIZE A3	CAGE CODE 00779	DRAWING NO C-36954	RESTRICTED TO -
MAX RECOMMENDED OPERATING TEMPERATURE: 105°C [221°F]		WIRE CROSS SECTIONAL AREA RANGE, 0.26-1.65mm²[509-3,260] CIR MILS SOLID OR STRANDED		VOLTAGE RATING: 300 V MAX		SCALE NTS			SHEET 1 OF 1
CUSTOMER DRAWING		SCALE NTS		SHEET 1 OF 1		REV K2			

单击下面可查看定价，库存，交付和生命周期等信息

[>>TE Connectivity\(泰科\)](#)