

4

3

2

1

THIS DRAWING IS UNPUBLISHED.

RELEASED FOR PUBLICATION

20

© COPYRIGHT 20 BY -

ALL RIGHTS RESERVED.

REVISIONS

P	LTR	DESCRIPTION	DATE	DWN	APVD
A		INITIAL RELEASE	16DEC2014	HMR	CW
B		ECR-15-013292	16SEP2015	DL	CW
BI		ECR-16-015492	04NOV2016	QY	CW
C		ECR-21-105750	02JUL2021	BS	CW

TYPE-1, T2020072201-000, TE LOGO  
类型-1, T2020072201-000, TE LOGO

NOTES:

- TECHNICAL CHARACTERISTICS:  
INSULATION MATERIAL: PBT  
RATED VOLTAGE: 250 V  
RATED CURRENT: 10 A  
INSULATION RESISTANCE:  $\geq 400M\Omega$   
RATED IMPULSE VOLTAGE: 4 KV  
POLLUTION DEGREE: 3  
FLAMMABILITY: UL94V-0  
MATING CYCLES: 500 CYLCES  
WIRE RANGE: 0.14-2.5 mm<sup>2</sup> (26-14 AWG)  
CONTACT TYPE: CRIMP CONTACT
- CONTACT NEED TO BE ORDERED SEPARATELY.  
(ORDER No. REFER TO DRAWING: T20200X20XX000)

注释:

- 技术参数:  
绝缘材料: PBT  
额定电压: 250V  
额定电流: 10A  
绝缘电阻:  $\geq 400M\Omega$   
额定脉冲电压: 4 KV  
污染等级: 3  
阻燃等级: UL94V-0  
插拔次数: 500次  
接线范围: 0.14-2.5 mm<sup>2</sup> (26-14 AWG)  
接线类型: 冷压接
- 端子需要单独订购.  
(订货号参考图面: T20200X20XX000)

THIS DRAWING IS A CONTROLLED DOCUMENT.

DIMENSIONS:

mm

TOLERANCES UNLESS OTHERWISE SPECIFIED:

0 PLC	±-
1 PLC	±-
2 PLC	±-
3 PLC	±-
4 PLC	±-
ANGLES	±-
FINISH	-

MATERIAL

-

-

DWN 16DEC2014

RAGHAVENDRA H M

CHK 16DEC2014

CHRIS WANG

APVD 16DEC2014

XU XIANG

PRODUCT SPEC

108-137042

APPLICATION SPEC

114-137042

WEIGHT

-

CUSTOMER DRAWING

NAME

HD-007-F

SIZE

A3

CAGE CODE

-

DRAWING NO

C-T2020072201000

SCALE

2:1

SHEET

1 OF 2

REV

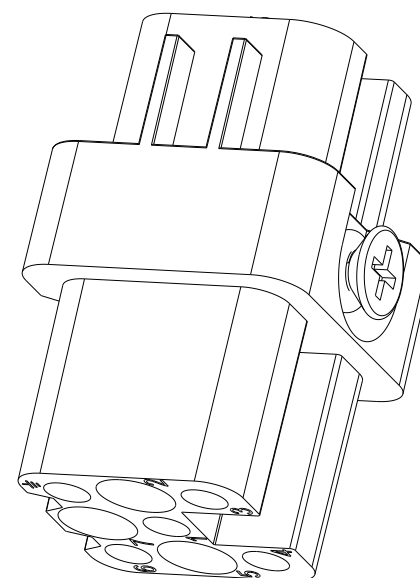
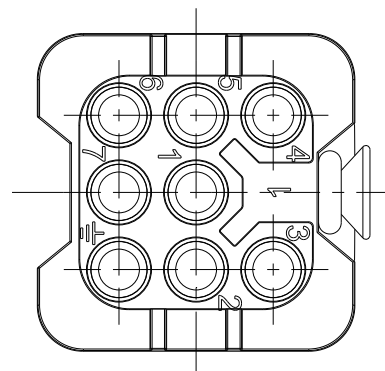
C

TE Connectivity

1470-19 (3/13)

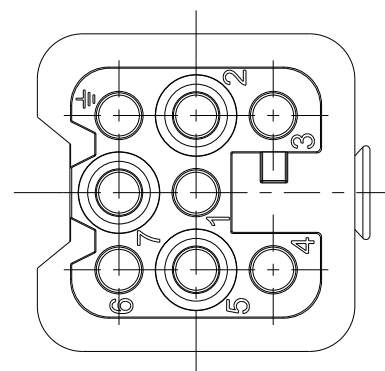
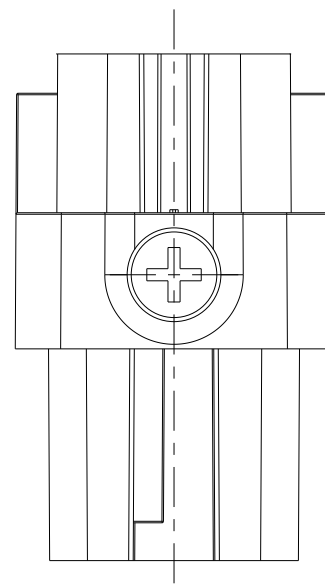
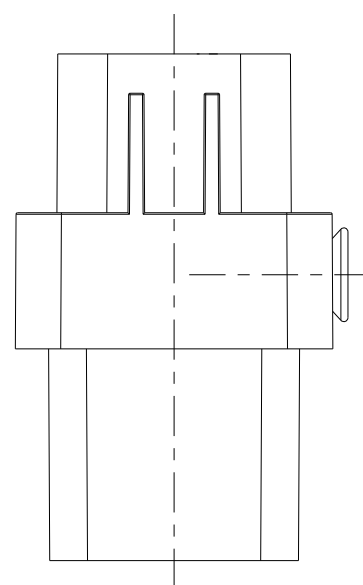
Downloaded From [Onevac.com](http://Onevac.com)

P	LTR	DESCRIPTION	DATE	DWN	APVD
-		SEE SHEET 1	-	-	-



NOTE:  
SEE SHEET 1  
注释:  
见页 1

TYPE-2, T2020072201-001, STAINLESS STEEL SCREW, NO LOGO  
类型-2, T2020072201-001, 不锈钢螺丝, 无LOGO



T2020072201-001	HD-007-F	HD-007 FEMALE INSERT, STAINLESS STEEL SCREW, NO LOGO HD-007 母插, 不锈钢螺丝, 无LOGO	TYPE-2 类型-2
T2020072201-000	HD-007-F	HD-007 FEMALE INSERT HD-007 母插	TYPE-1 类型-1
PART NUMBER 料号	PART DESCRIPTION 描述		TYPE 类型

THIS DRAWING IS A CONTROLLED DOCUMENT.

DIMENSIONS:	TOLERANCES UNLESS OTHERWISE SPECIFIED:
mm	
	0 PLC ±-
	1 PLC ±-
	2 PLC ±-
	3 PLC ±-
	4 PLC ±-
	ANGLES ±-
MATERIAL	FINISH
-	-
-	-

DWN	16DEC2014
CHK	16DEC2014
APVD	16DEC2014
PRODUCT SPEC	108-137042
APPLICATION SPEC	114-137042
WEIGHT	-
CUSTOMER DRAWING	

TE Connectivity		NAME		RESTRICTED TO
		HD-007-F		
SIZE	CAGE CODE	DRAWING NO		
A3	-	©-T2020072201000		
SCALE		SHEET	OF	REV
2:1		2	2	C

ALL DIMENSIONS ARE SAME AS TYPE 1,  
EXCEPT THOSE DEFINED IN THIS TYPE.  
除了在本类型中定义的尺寸外, 其它尺寸同类型 |

单击下面可查看定价，库存，交付和生命周期等信息

[>>TE Connectivity\(泰科\)](#)