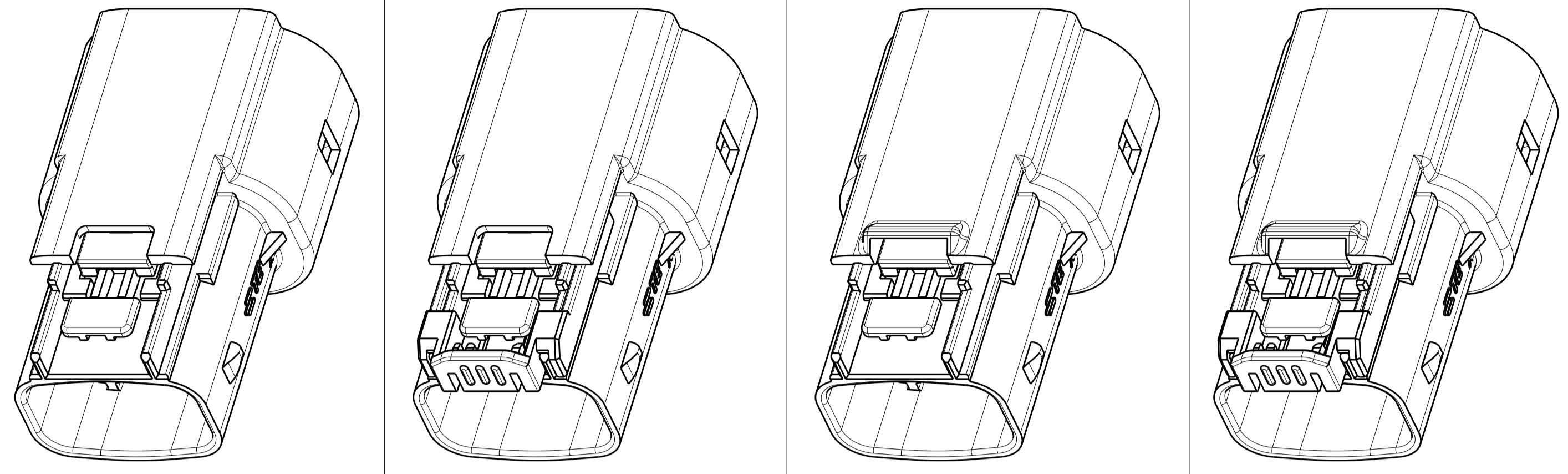
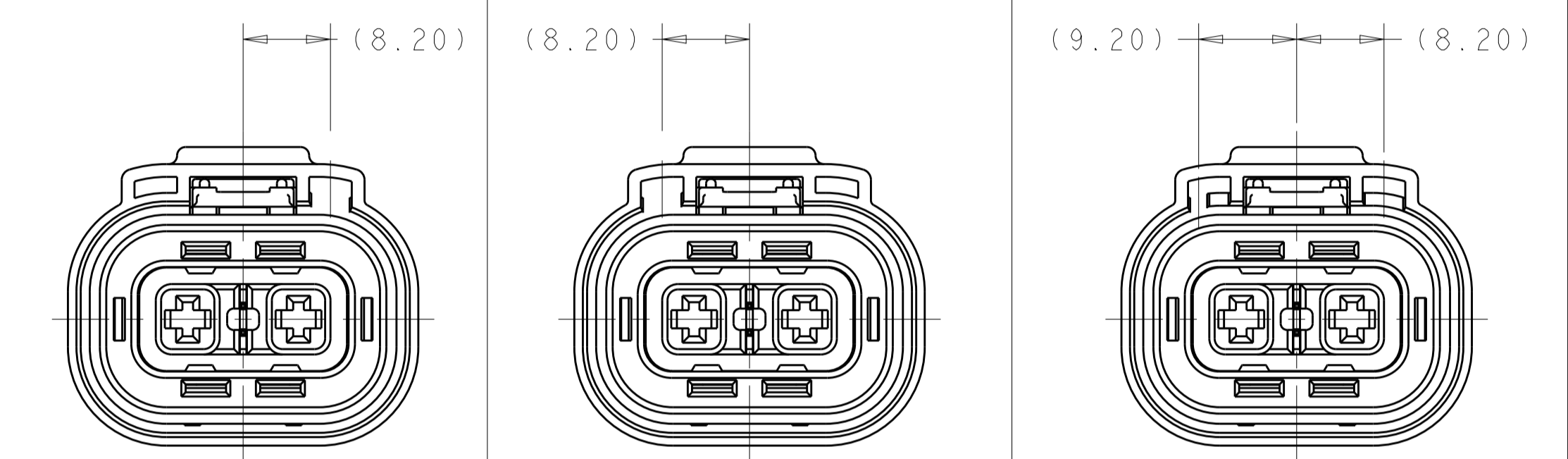
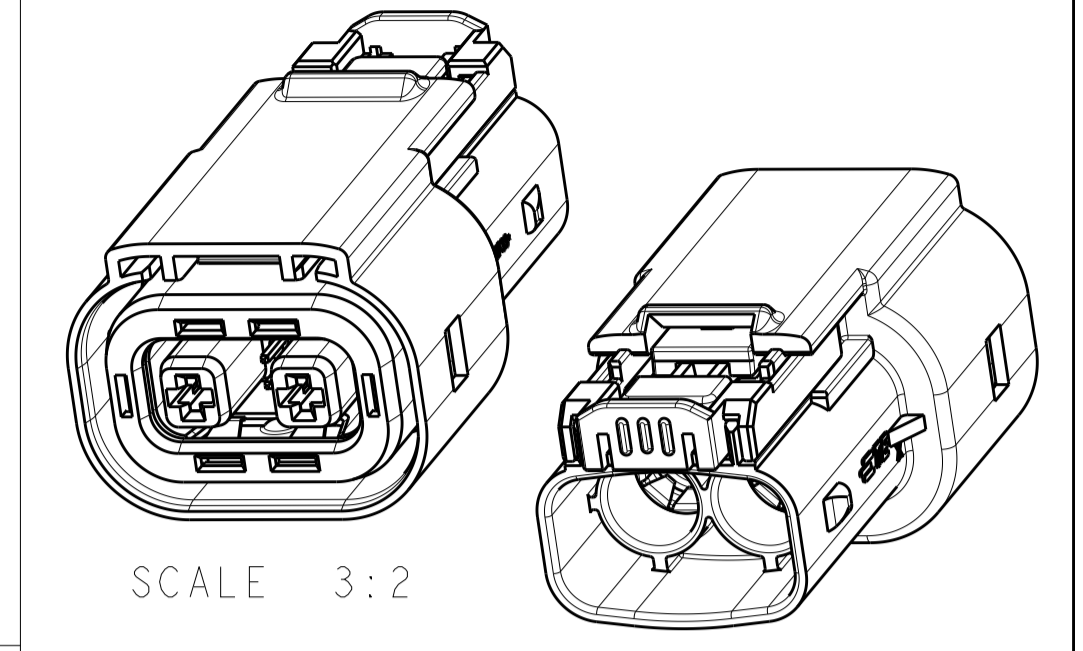


X-2103177-1 KEY A  
 X-2103177-2 KEY B  
 X-2103177-4 KEY D

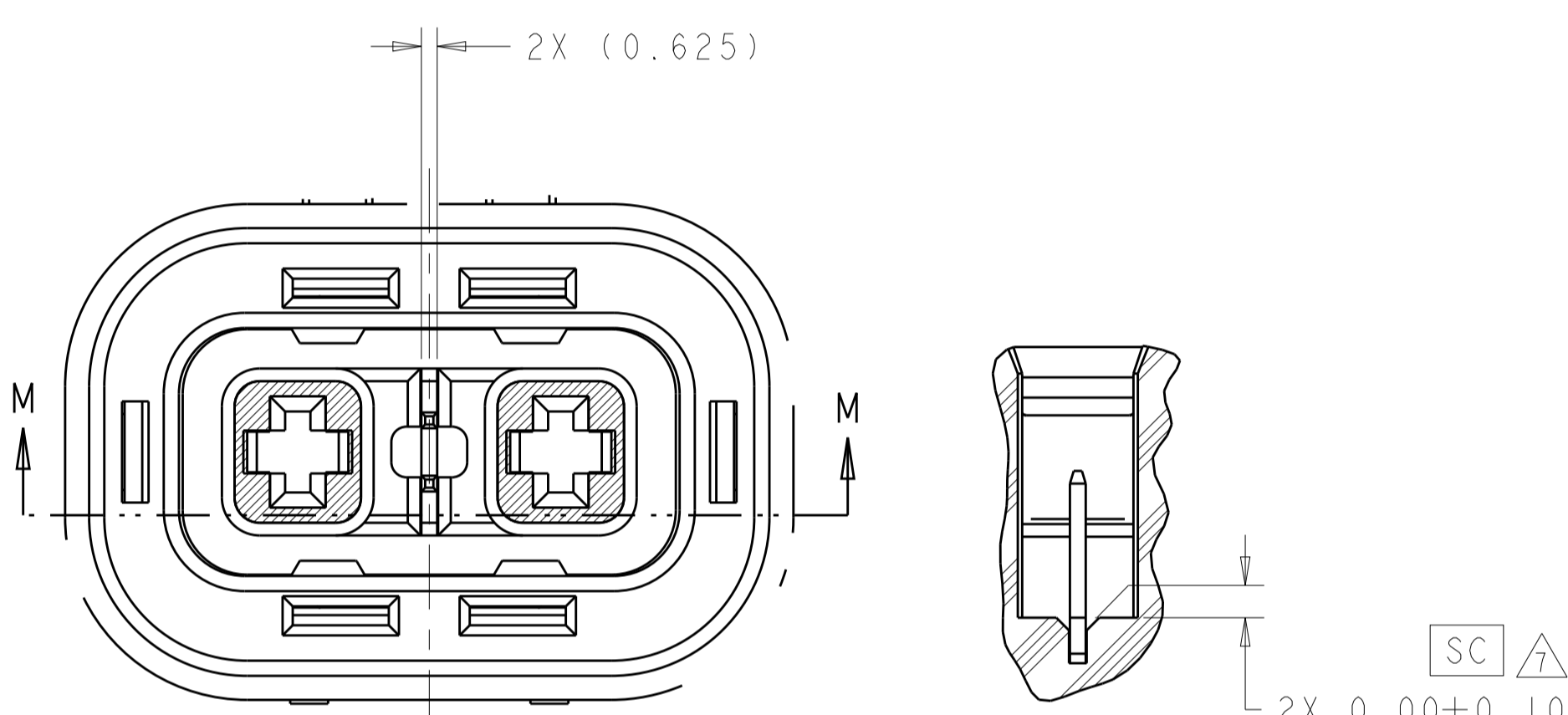


FINGER ACCESSIBLE LATCH WITHOUT CPA  
 5-2103177-X AND 6-2103177-X  
 FINGER ACCESSIBLE LATCH WITH CPA  
 4-2103177-X  
 TOOL ACCESSIBLE LATCH WITHOUT CPA  
 1-2103177-X  
 TOOL ACCESSIBLE LATCH WITH CPA  
 2103177-X

| REVISIONS |               |           |     |      |
|-----------|---------------|-----------|-----|------|
| P. LTR    | DESCRIPTION   | DATE      | OWN | APVD |
| B2        | ECO-14-008515 | 06JUN2014 | YS  | AT   |
| B3        | ECO-17-003663 | 16MAR2017 | YS  | AG   |

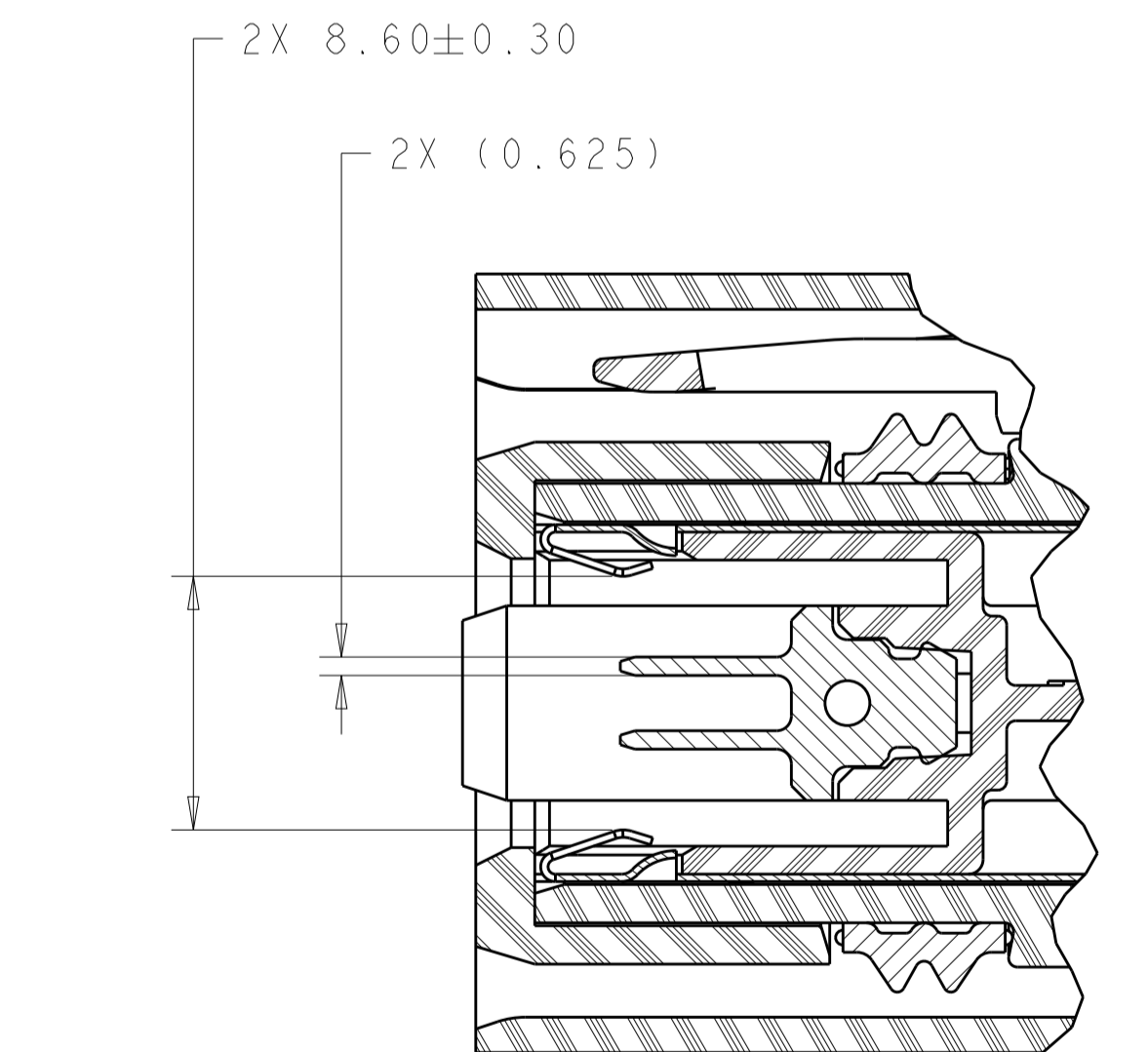


X-2103177-5 KEY E  
 X-2103177-6 KEY F  
 X-2103177-7 KEY G

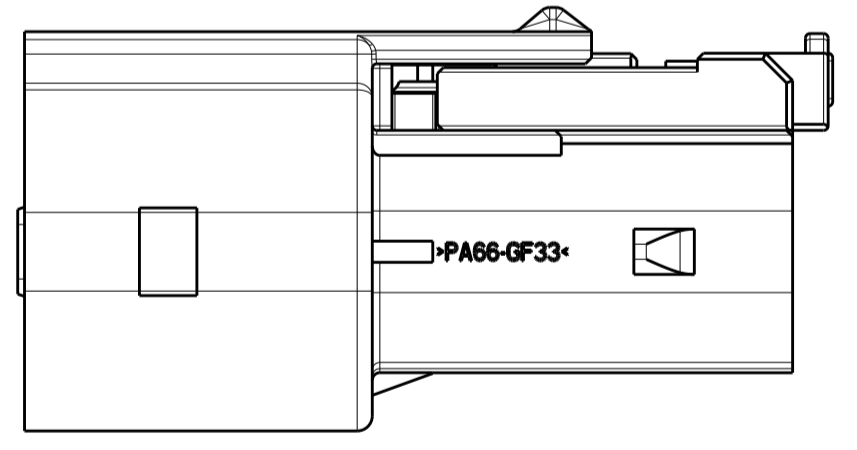
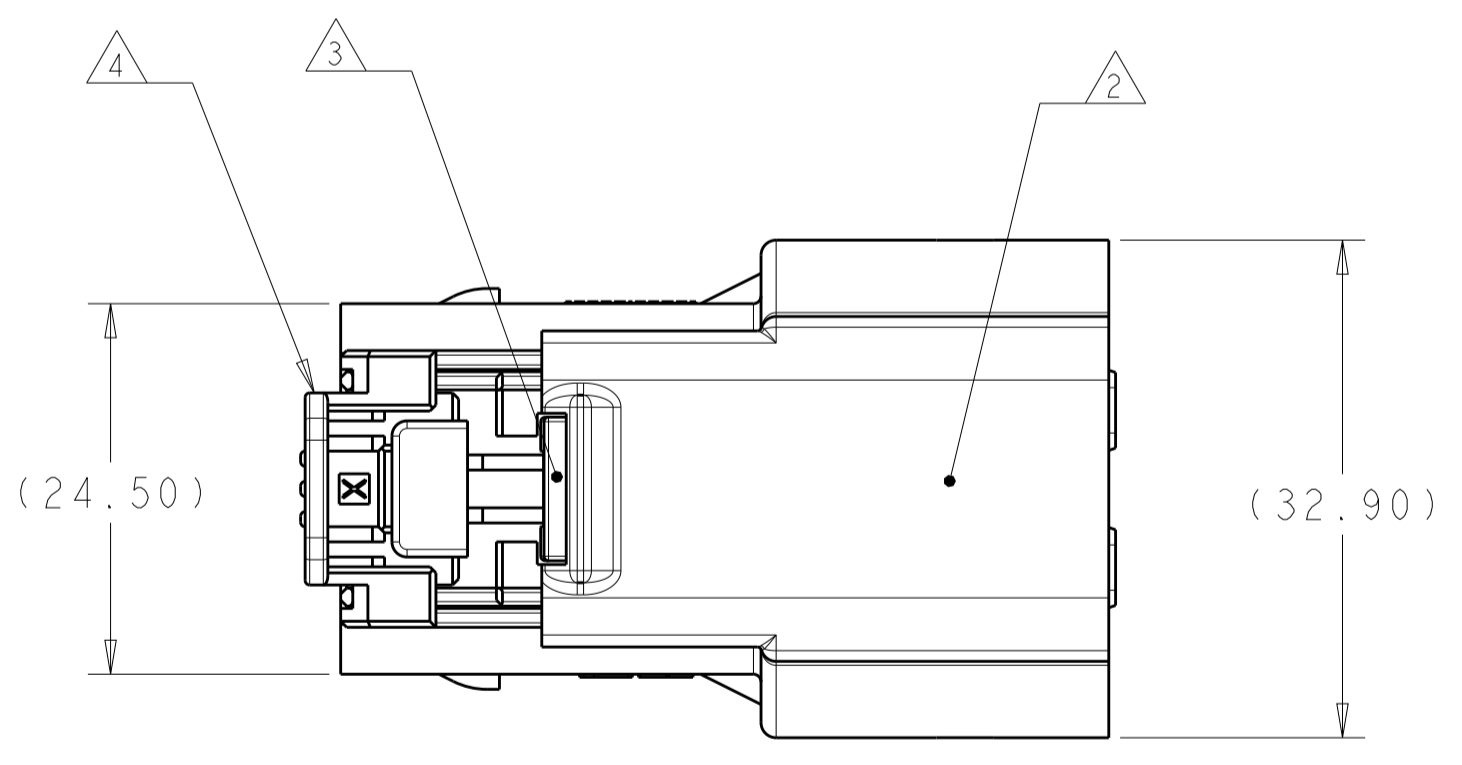


DETAIL D  
 SCALE 4:1  
 SECTION M-M  
 PARTIAL REMOVED

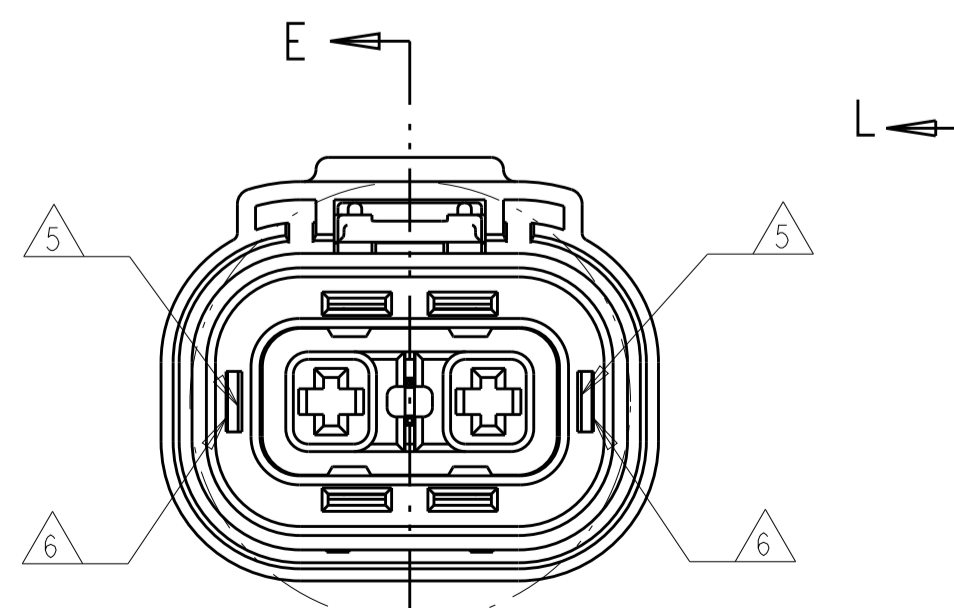
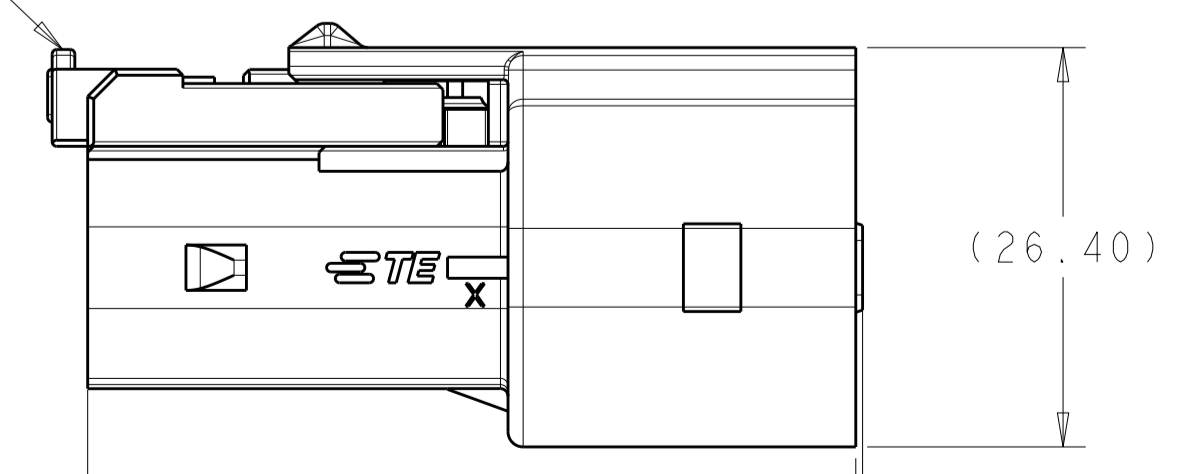
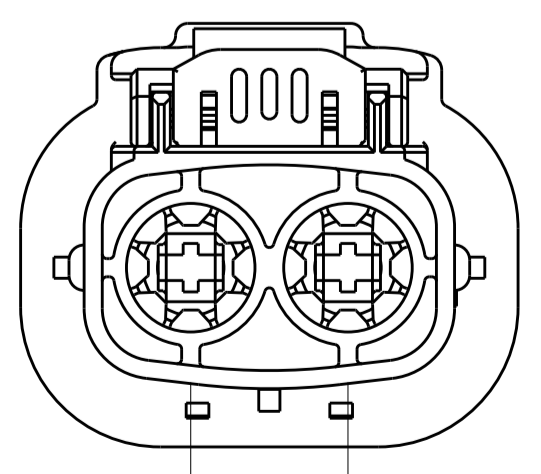
- CONNECTOR MUST BE FREE OF ANY MECHANICAL DEFECTS WHICH MAY AFFECT FIT, FORM, OR PERFORMANCE
- PART NUMBER AND JULIAN DATE CODE MARKED IN THIS AREA
- FLOATING LATCH MUST BE FULLY INSTALLED AS SHOWN
- CPA, WHEN PRESENT MUST BE INSTALLED IN PRE-STAGE POSITION AS SHOWN
- INNER HOUSING SUB ASSEMBLY MUST BE FULLY LOCKED IN TWO LOCATIONS INTO OUTER HOUSING. INSPECTION PRIOR TO ASSEMBLY OF PERIPHERAL SEAL RETAINER PERMITTED
- PERIPHERAL SEAL RETAINER MUST BE FULLY LOCKED IN TWO LOCATIONS INTO OUTER HOUSING.
- MEASURE EACH STAMPING SHOULDER FLUSH CONDITION TO NEIGHBORING PLASTIC SURFACE
- PRELIMINARY PART - NOT RELEASED FOR PRODUCTION
- THIS PART HAS NOT COMPLETED VALIDATION TESTING



SECTION E-E  
 PARTIAL REMOVED  
 SCALE 4:1



VIEW L-L  
 REMOVED



| DESCRIPTION  | REV | PART NO     |
|--|-----|-------------|
| PLUG ASSY, KEY E, HVA280-2PHI XE, FINGER ACCESSIBLE, BLACK   | B   | 6-2103177-5 |
| PLUG ASSY, KEY D, HVA280-2PHI XE, FINGER ACCESSIBLE, BLACK   | B   | 6-2103177-4 |
| PLUG ASSY, KEY B, HVA280-2PHI XE, FINGER ACCESSIBLE, BLACK   | B   | 6-2103177-2 |
| PLUG ASSY, KEY G, HVA280-2PHI XE, FINGER ACCESSIBLE          | B   | 5-2103177-7 |
| PLUG ASSY, KEY F, HVA280-2PHI XE, FINGER ACCESSIBLE          | B   | 5-2103177-6 |
| PLUG ASSY, KEY E, HVA280-2PHI XE, FINGER ACCESSIBLE          | B   | 5-2103177-5 |
| PLUG ASSY, KEY D, HVA280-2PHI XE, FINGER ACCESSIBLE          | B   | 5-2103177-4 |
| PLUG ASSY, KEY B, HVA280-2PHI XE, FINGER ACCESSIBLE          | B   | 5-2103177-2 |
| PLUG ASSY, KEY A, HVA280-2PHI XE, FINGER ACCESSIBLE          | B   | 5-2103177-1 |
| PLUG ASSY, KEY G, HVA280-2PHI XE, FINGER ACCESSIBLE WITH CPA | B   | 4-2103177-7 |
| PLUG ASSY, KEY F, HVA280-2PHI XE, FINGER ACCESSIBLE WITH CPA | B   | 4-2103177-6 |
| PLUG ASSY, KEY E, HVA280-2PHI XE, FINGER ACCESSIBLE WITH CPA | B   | 4-2103177-5 |
| PLUG ASSY, KEY D, HVA280-2PHI XE, FINGER ACCESSIBLE WITH CPA | B   | 4-2103177-4 |
| PLUG ASSY, KEY B, HVA280-2PHI XE, FINGER ACCESSIBLE WITH CPA | B   | 4-2103177-2 |
| PLUG ASSY, KEY A, HVA280-2PHI XE, FINGER ACCESSIBLE WITH CPA | B   | 4-2103177-1 |
| PLUG ASSY, KEY G, HVA280-2PHI XE, TOOL ACCESSIBLE            | I   | 1-2103177-7 |
| PLUG ASSY, KEY F, HVA280-2PHI XE, TOOL ACCESSIBLE            | B   | 1-2103177-6 |
| PLUG ASSY, KEY E, HVA280-2PHI XE, TOOL ACCESSIBLE            | B   | 1-2103177-5 |
| PLUG ASSY, KEY D, HVA280-2PHI XE, TOOL ACCESSIBLE            | B   | 1-2103177-4 |
| PLUG ASSY, KEY B, HVA280-2PHI XE, TOOL ACCESSIBLE            | B   | 1-2103177-2 |
| PLUG ASSY, KEY A, HVA280-2PHI XE, TOOL ACCESSIBLE            | B   | 1-2103177-1 |
| PLUG ASSY, KEY G, HVA280-2PHI XE, TOOL ACCESSIBLE WITH CPA   | I   | 2103177-7   |
| PLUG ASSY, KEY F, HVA280-2PHI XE, TOOL ACCESSIBLE WITH CPA   | B   | 2103177-6   |
| PLUG ASSY, KEY E, HVA280-2PHI XE, TOOL ACCESSIBLE WITH CPA   | B   | 2103177-5   |
| PLUG ASSY, KEY D, HVA280-2PHI XE, TOOL ACCESSIBLE WITH CPA   | B   | 2103177-4   |
| PLUG ASSY, KEY B, HVA280-2PHI XE, TOOL ACCESSIBLE WITH CPA   | B   | 2103177-2   |
| PLUG ASSY, KEY A, HVA280-2PHI XE, TOOL ACCESSIBLE WITH CPA   | B   | 2103177-1   |

THIS DRAWING IS A CONTROLLED DOCUMENT.

|                  |  |                           |                             |                             |                                |
|------------------|--|---------------------------|-----------------------------|-----------------------------|--------------------------------|
| DIMENSIONS:      | TOLERANCES UNLESS OTHERWISE SPECIFIED:   | OWN: D. SIMPSON 24FEB2011 | CHK: A. TYLER 24FEB2011     | APVD: J. ROLEWITZ 24FEB2011 | NAME: PLUG ASSY HVA280-2PHI XE |
| mm               | 0 PLC ±0.2<br>1 PLC ±0.10<br>2 PLC ±0.13<br>3 PLC ±0.0001<br>4 PLC ±0.0001<br>ANGLES ±0.0001 | PRODUCT SPEC: 108-2394    | APPLICATION SPEC: 114-13259 | WEIGHT: -                   | SIZE: A1                       |
| MATERIAL:        | FINISH:  | CAGE CODE: -              | DRAWING NO: 2103177         | RESTRICTED TO: -            | SCALE: 2:1                     |
| CUSTOMER DRAWING |  | SHEET 1 OF 1              |                             | REV: B3                     |                                |

单击下面可查看定价，库存，交付和生命周期等信息

[>>TE Connectivity\(泰科\)](#)