

4

3

2

1

THIS DRAWING IS UNPUBLISHED.

RELEASED FOR PUBLICATION

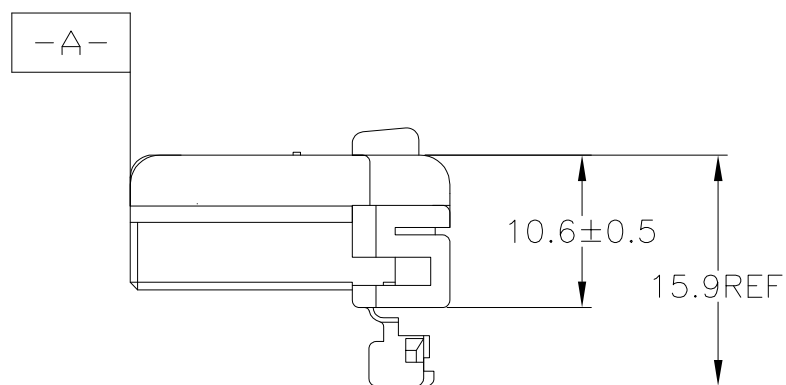
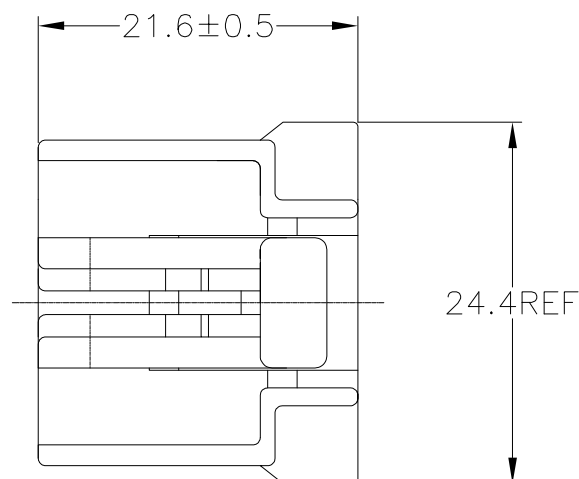
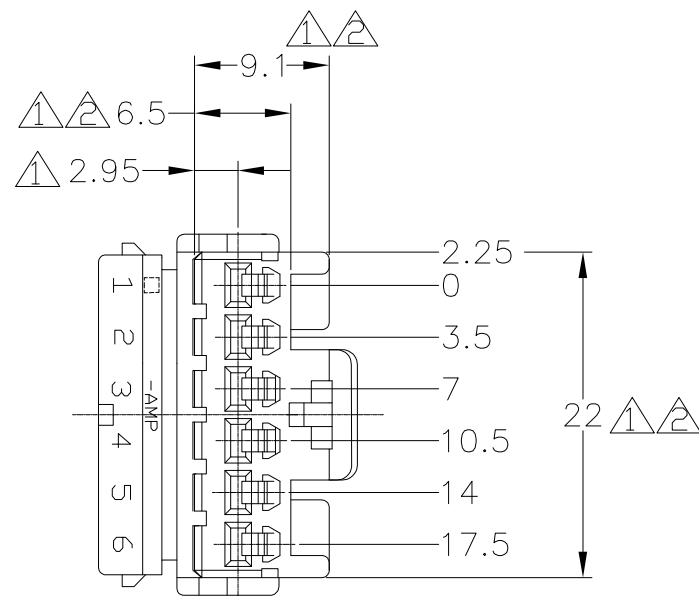
20

© COPYRIGHT 20 BY -

ALL RIGHTS RESERVED.

REVISIONS

P	LTR	DESCRIPTION	DATE	DWN	APVD
	A	REVISED (ECR-16-004410)	24.MAR.16	JM	JW



NOTES

- ▲ MUST BE KEPT BETWEEN -A- AND 2mm
- ▲ TO BE MATED WITH THE CAP HOUSING SMOOTHLY
- 3. APPLIED RECEPTACLE CONTACT PART NUMBER :173630 & 173631
- 4. APPLIED CAP HOUSING :368504

①	BLACK	PBT	PLUG HSG	368502-2
	NATURAL	PBT	PLUG HSG	368502-1
NO.	COLOR/FINISH	MATERIAL	DESCRIPTION	P/N

THIS DRAWING IS A CONTROLLED DOCUMENT.		DWN JM JEON	STE TE Connectivity		
DIMENSIONS: mm		CHK JM JEON			
		TOLERANCES UNLESS OTHERWISE SPECIFIED:		NAME .070 MLC PLUG HSG 6P	
		0 <XX<10 ± 0.2 10<XX<30 ± 0.25 30<XX ± 0.3 ANGLES ± 3°		APVD JW JUNG	
MATERIAL	SEE TABLE	FINISH	-	PRODUCT SPEC	-
				APPLICATION SPEC	-
				WEIGHT	-
				SIZE	A3
				CAGE CODE	00779
				DRAWING NO	C-368502
				RESTRICTED TO	-
CUSTOMER DRAWING			SCALE	1:1	SHEET 1 OF 1
			REV A		

单击下面可查看定价，库存，交付和生命周期等信息

[>>TE Connectivity\(泰科\)](#)