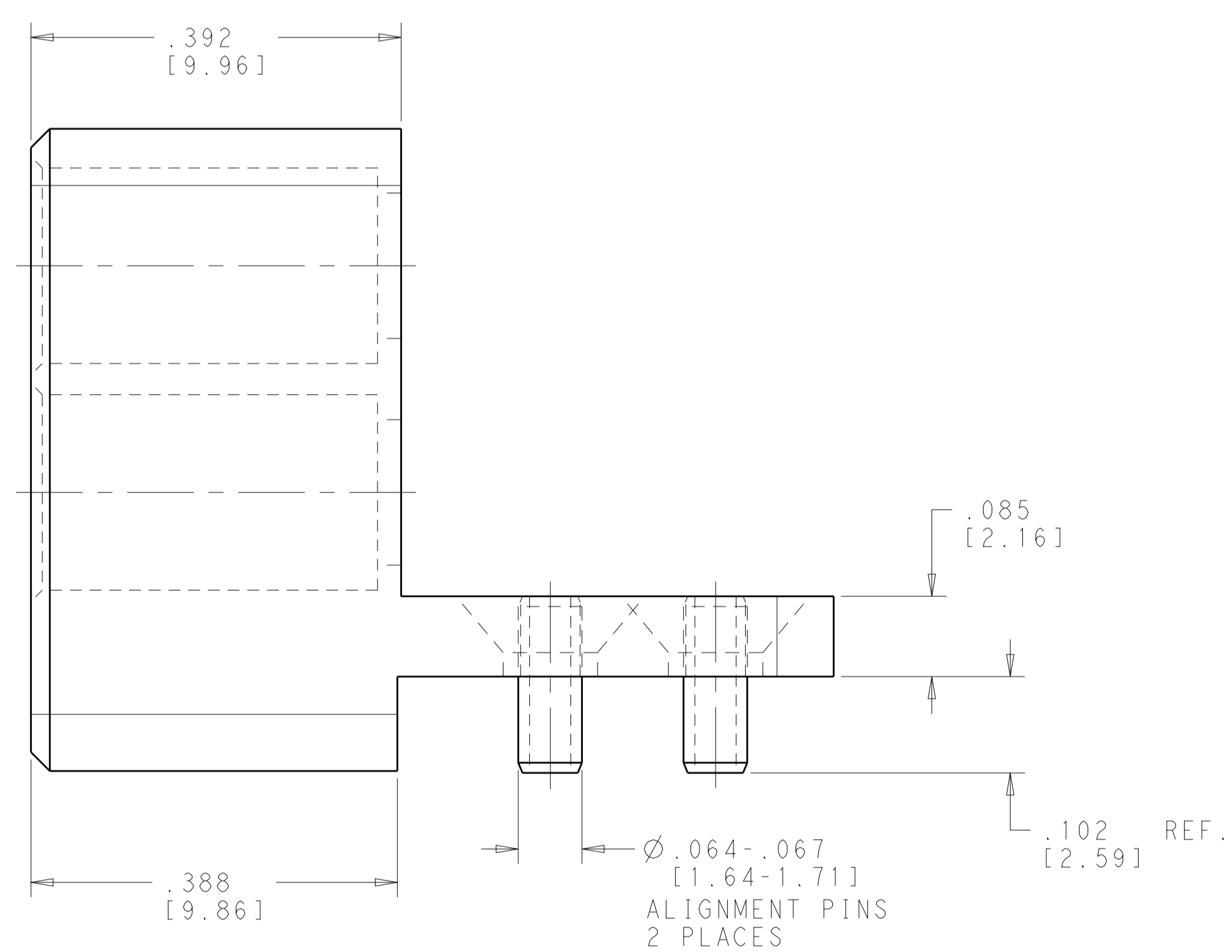
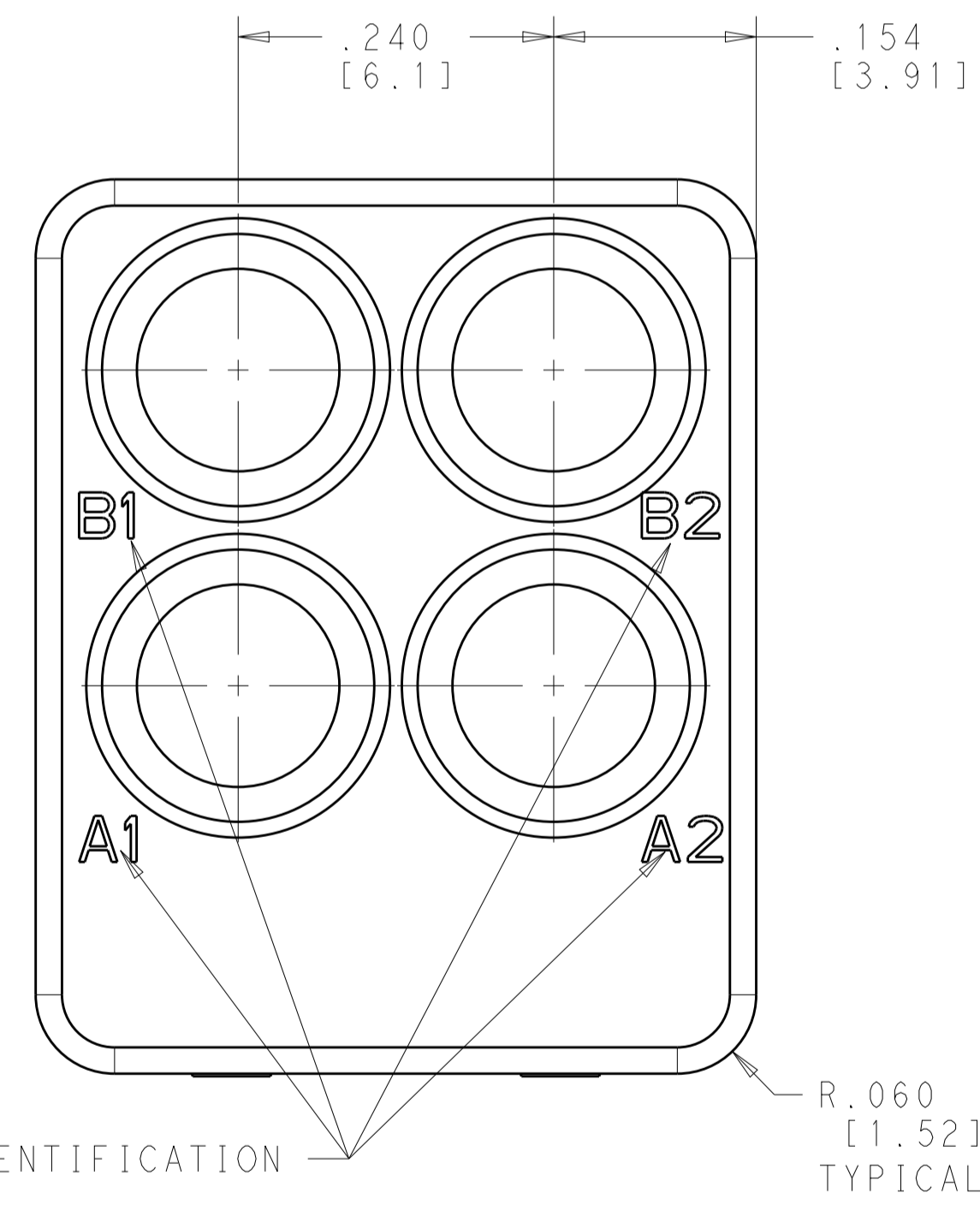
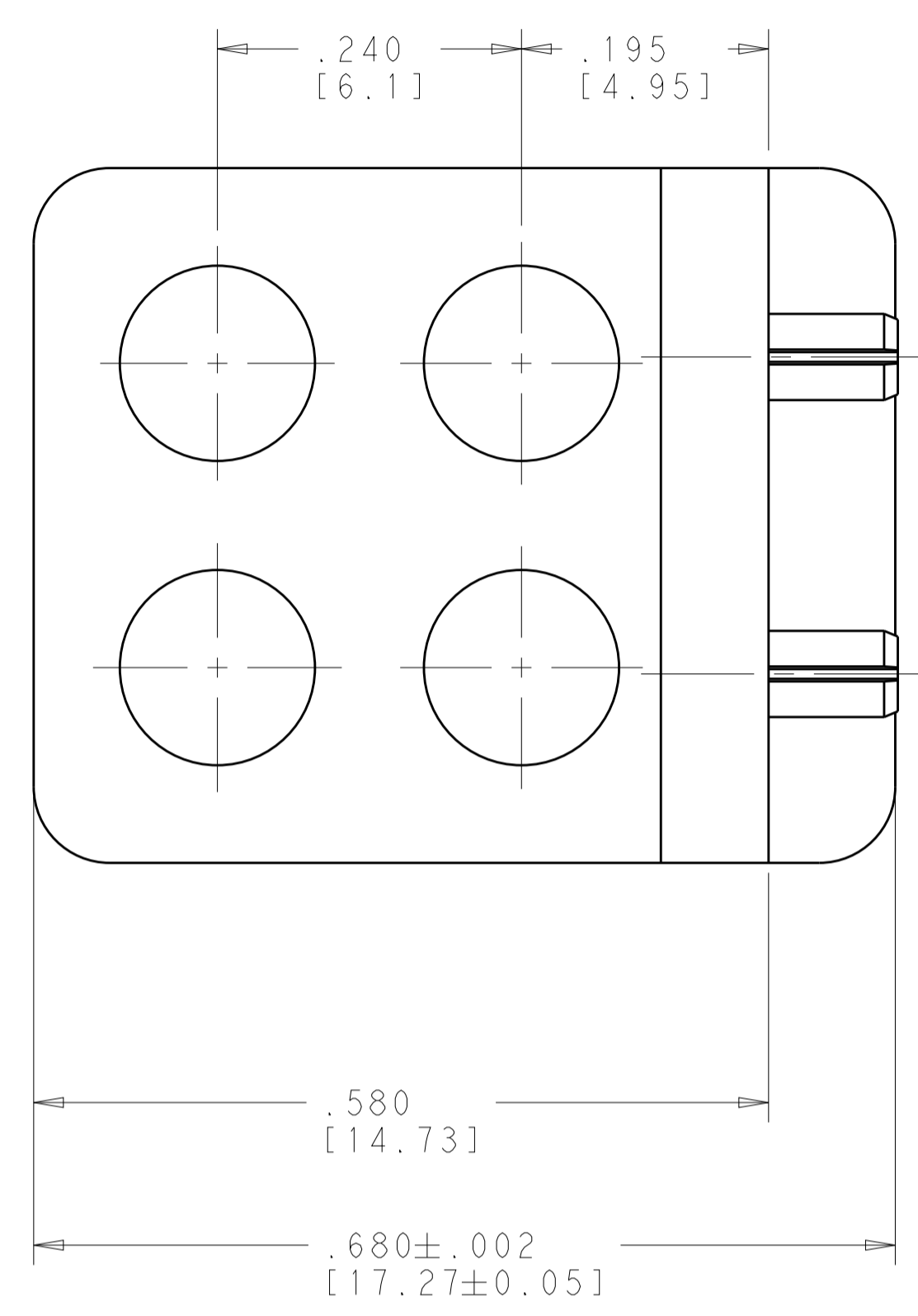
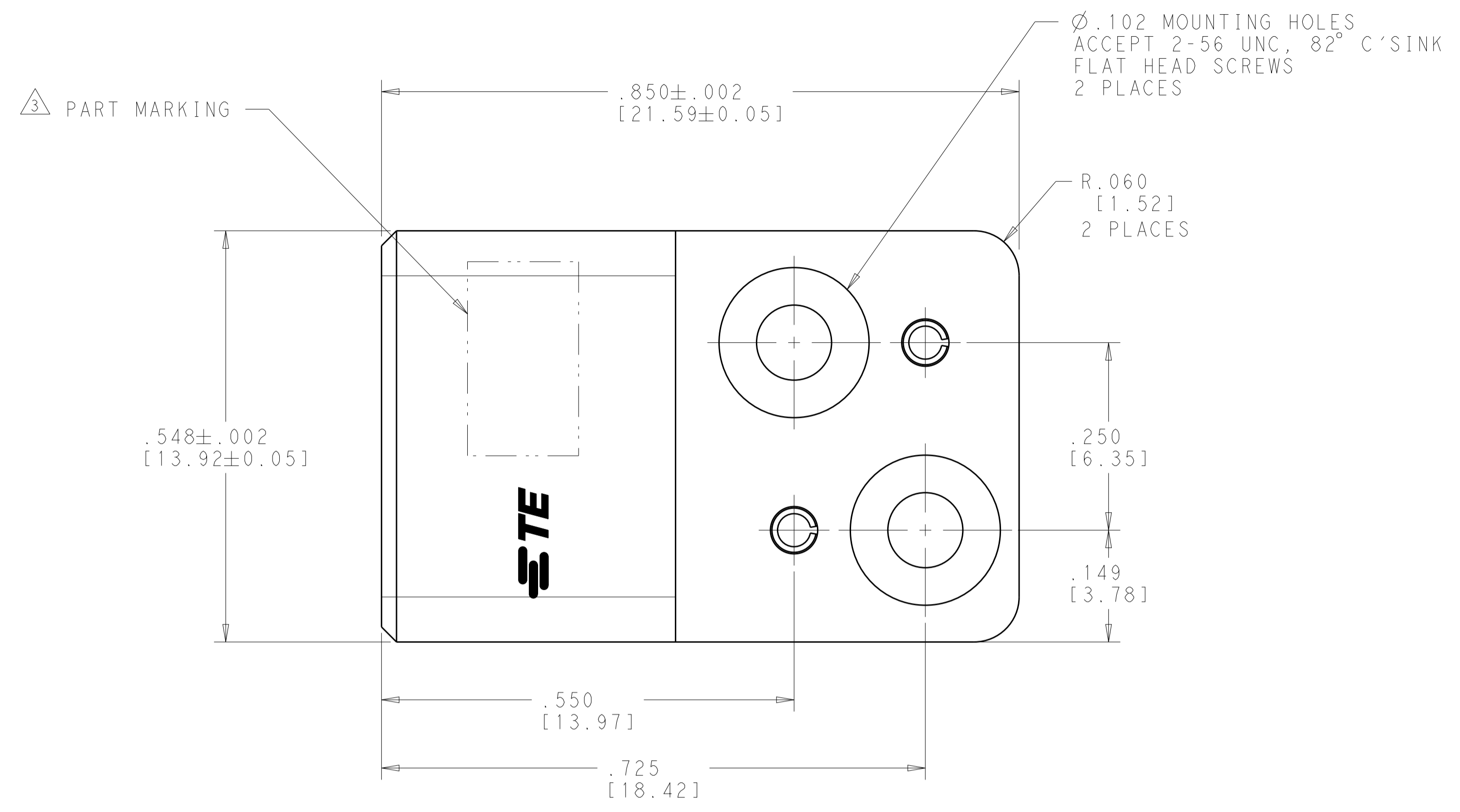
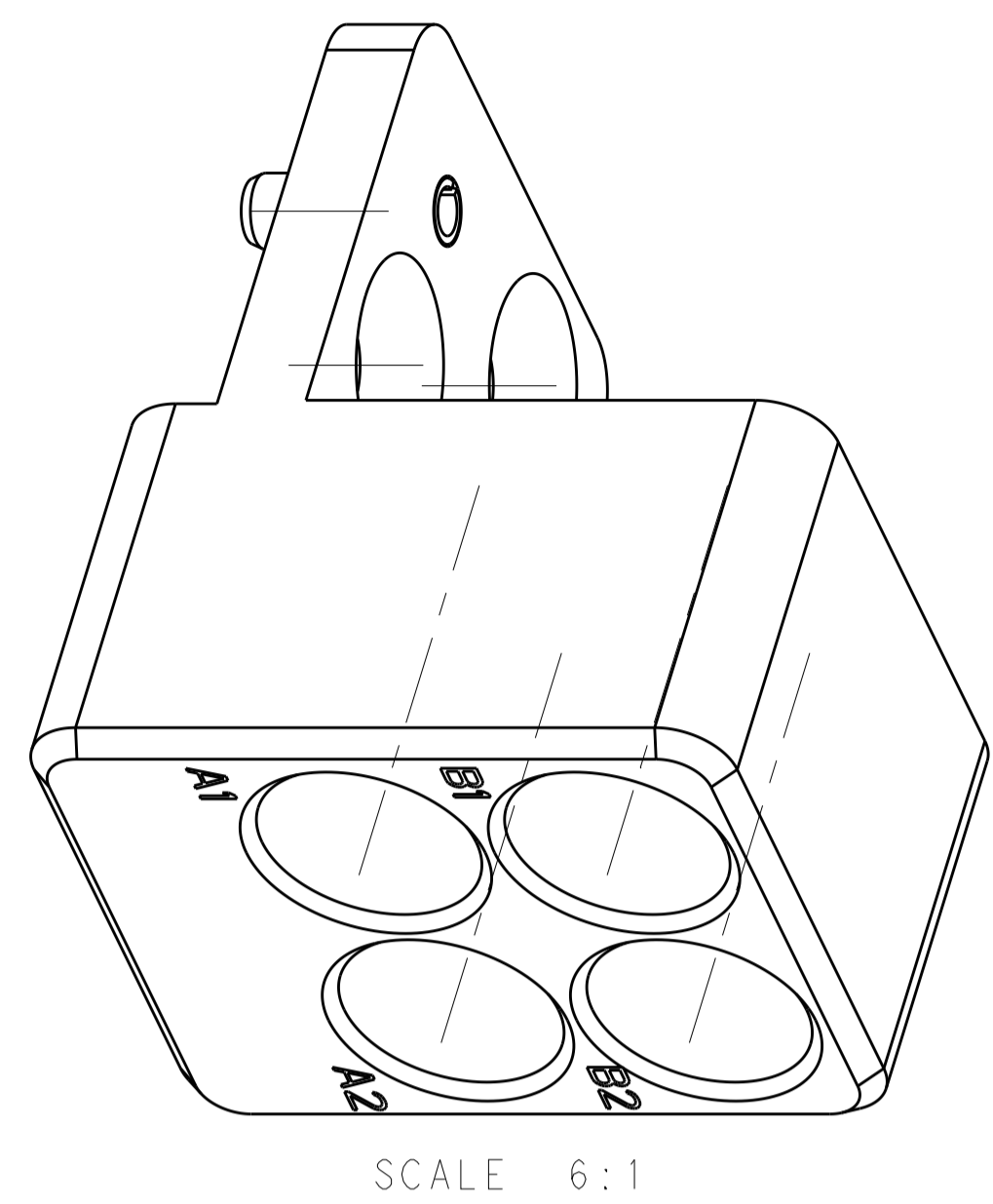


| REVISONS | | DATE | DWN | APVD |
|----------|-------------|-------------|----------|-------|
| LOC | DIST | DESCRIPTION | | |
| H | REV PER ECO | 15-012318 | 10-12-16 | CT DW |



- △ MATERIAL:
MODULE BODY - STAINLESS STEEL, PER UNS S30300
SPRING PINS - WORK HARDENED NICKEL STAINLESS STEEL
- △ FINISH:
MODULE BODY AND SPRING PINS - PASSIVATED
- △ PART MARKING:
TE CONNECTIVITY PART NUMBER, CAGE CODE AND DATE CODE
- △ CAVITY IDENTIFICATION MARKING

| | | |
|-----------------|---------------------|-------------|
| 1996883-4 | △3/4 | 1996883-4 |
| ----- | ----- | 1996883-3 |
| TE PART MARKING | MARKING REQUIREMENT | PART NUMBER |

| | | | |
|--|--------------|----------------------------|---|
| THIS DRAWING IS A CONTROLLED DOCUMENT. | | DWN S.T. Morley 11AUG2009 | TE Connectivity NAME: 4 POSITION R.F. MODULE P.C.B. MOUNT - DAUGHTER CARD VITA 67, 3U (1/2 SIZE) |
| DIMENSIONS: [INCHES/mm] | | CHK S.T. Morley 11AUG2009 | |
| TOLERANCES UNLESS OTHERWISE SPECIFIED: | | APVD S.T. Morley 11AUG2009 | RESTRICTED TO |
| 0 PLC ±.1 | 1 PLC ±.01 | PRODUCT SPEC | SIZE CAGE CODE DRAWING NO |
| 2 PLC ±.01 | 3 PLC ±.001 | APPLICATION SPEC | WEIGHT .512 oz |
| 4 PLC ±.0005 | ANGLES ±1.0° | FINISH | A100779C=1996883 |
| MATERIAL | | FINISH | CUSTOMER DRAWING |
| | | SCALE 8:1 | SHEET 1 OF 1 REV H |

单击下面可查看定价，库存，交付和生命周期等信息

[>>TE Connectivity\(泰科\)](#)