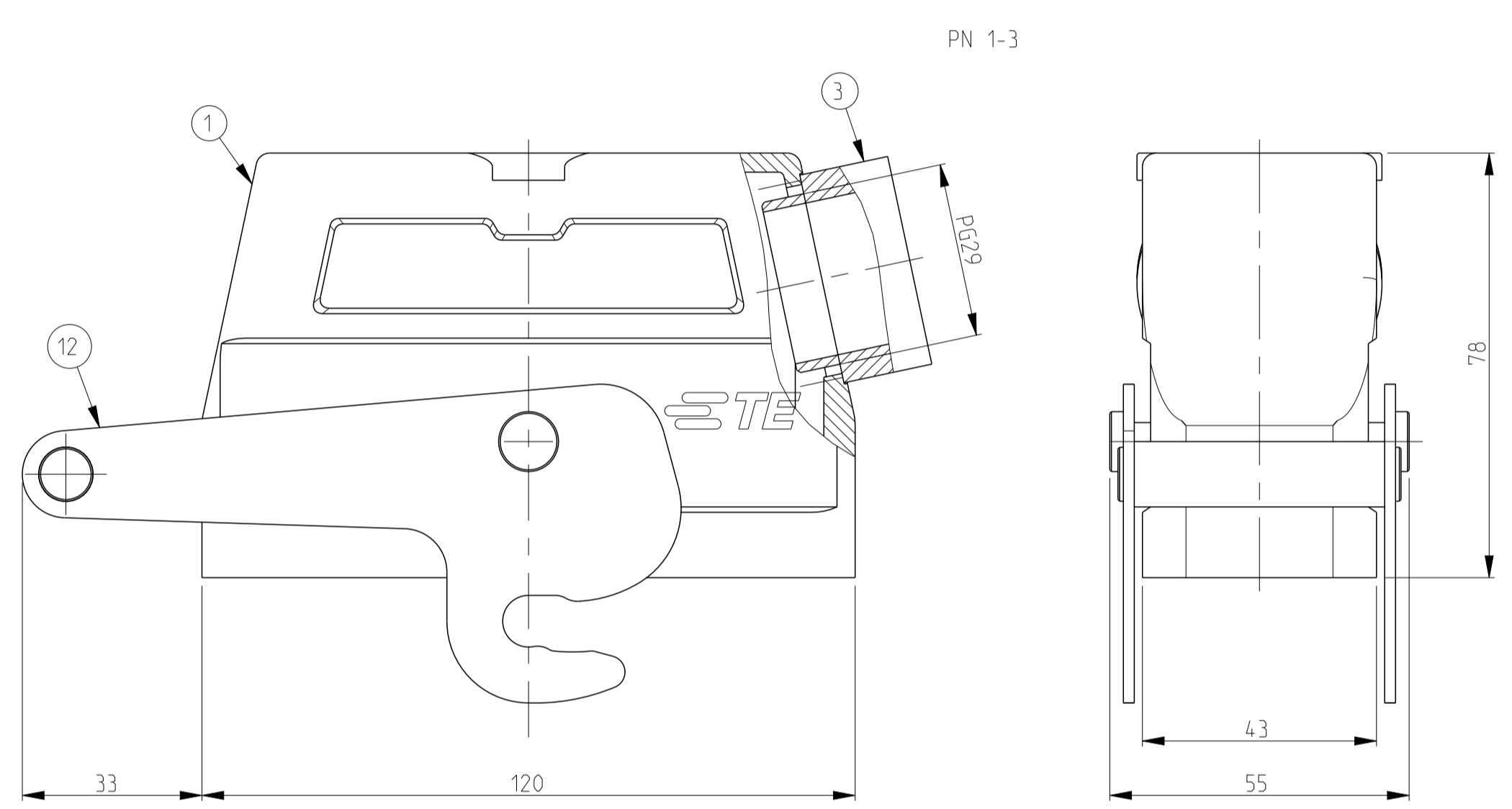
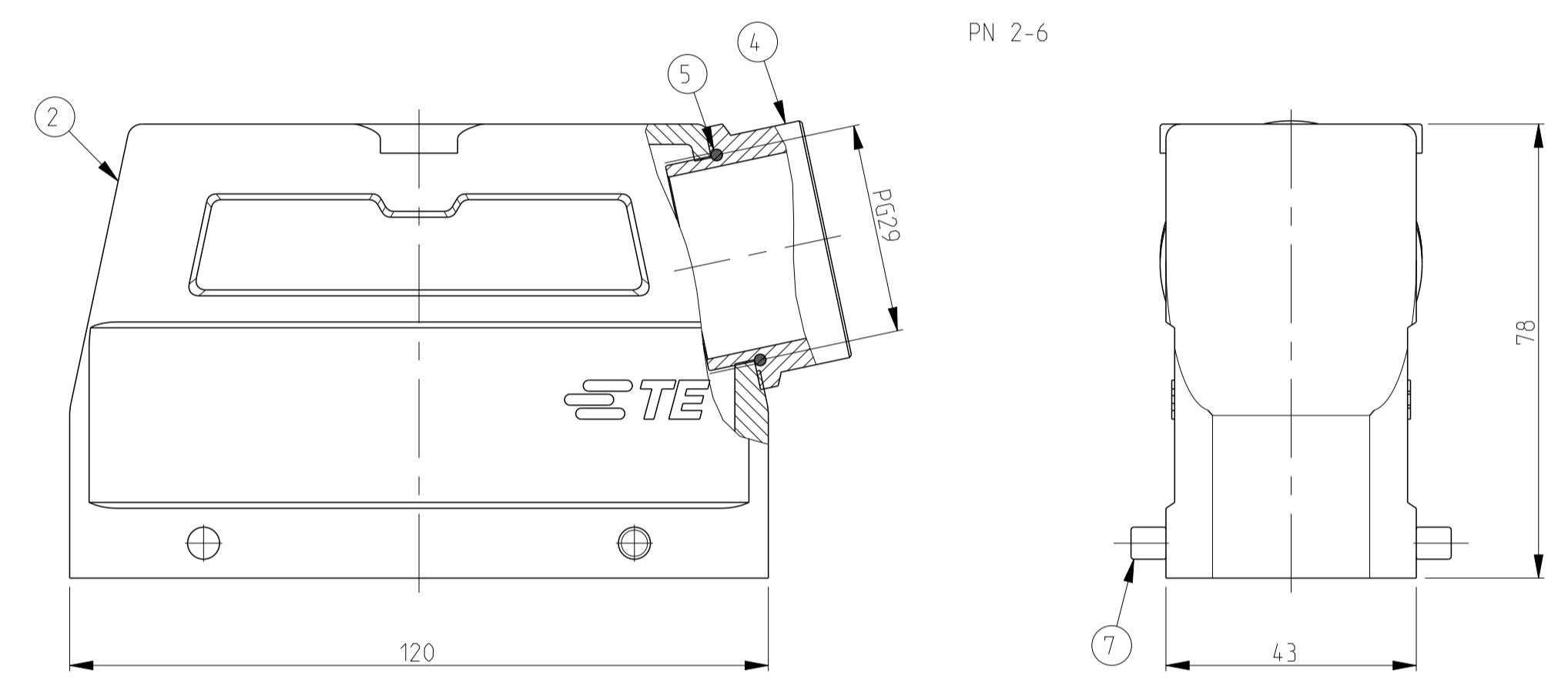
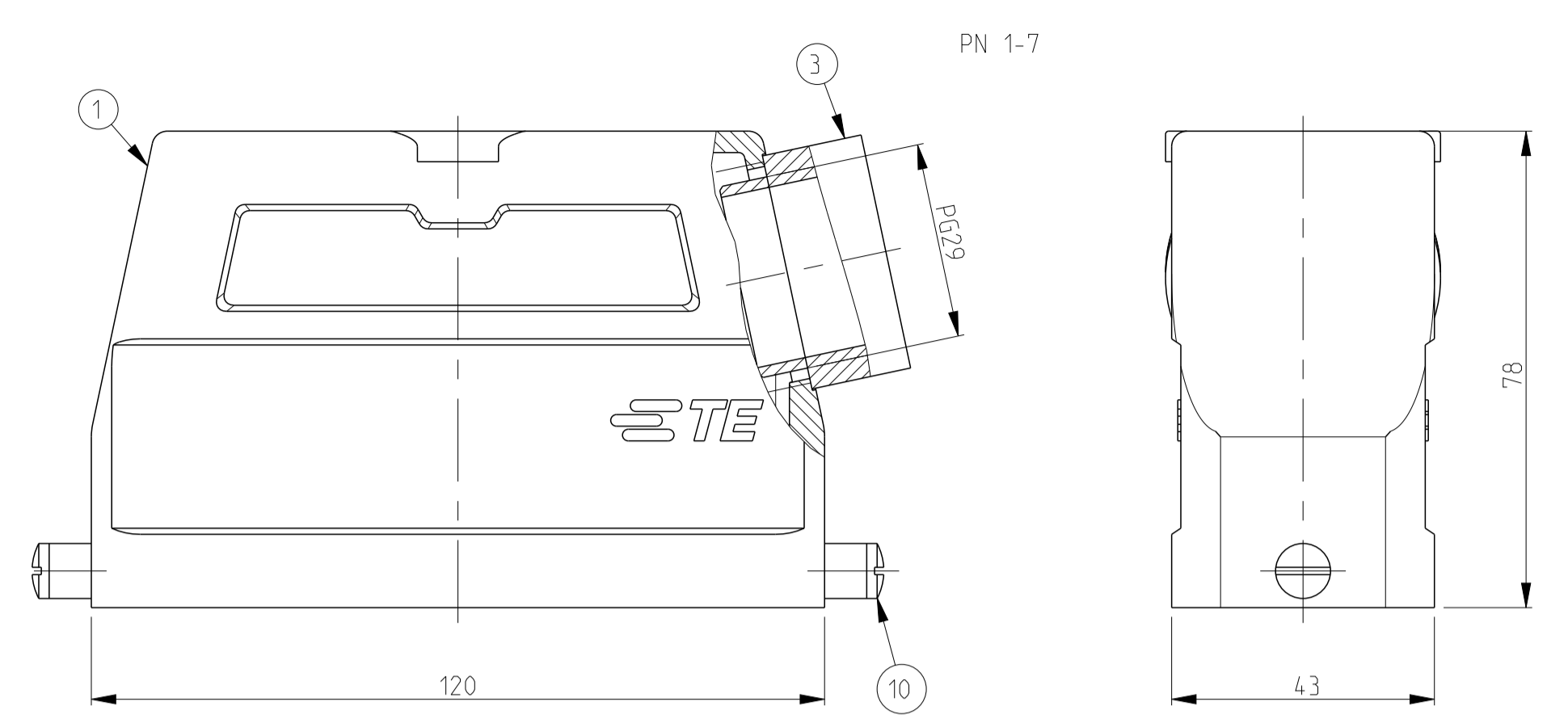
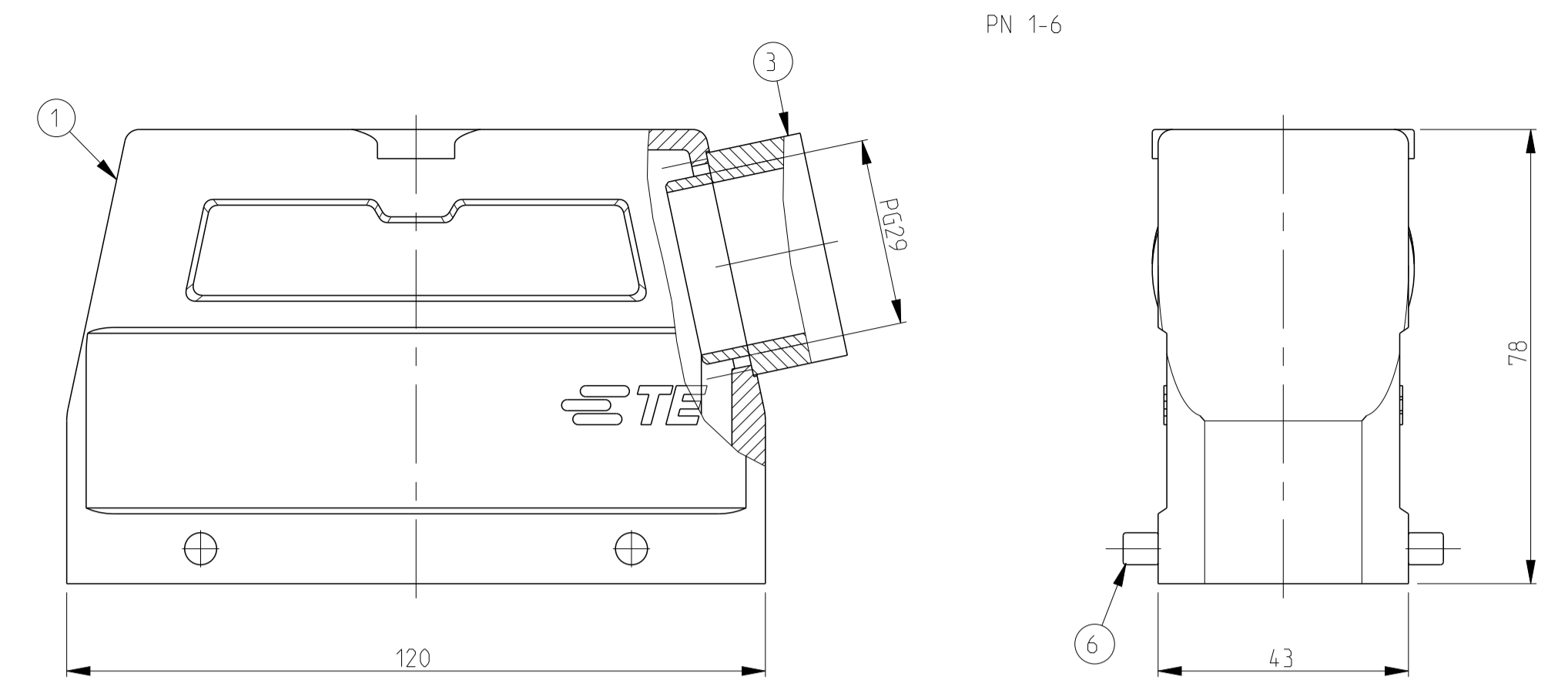
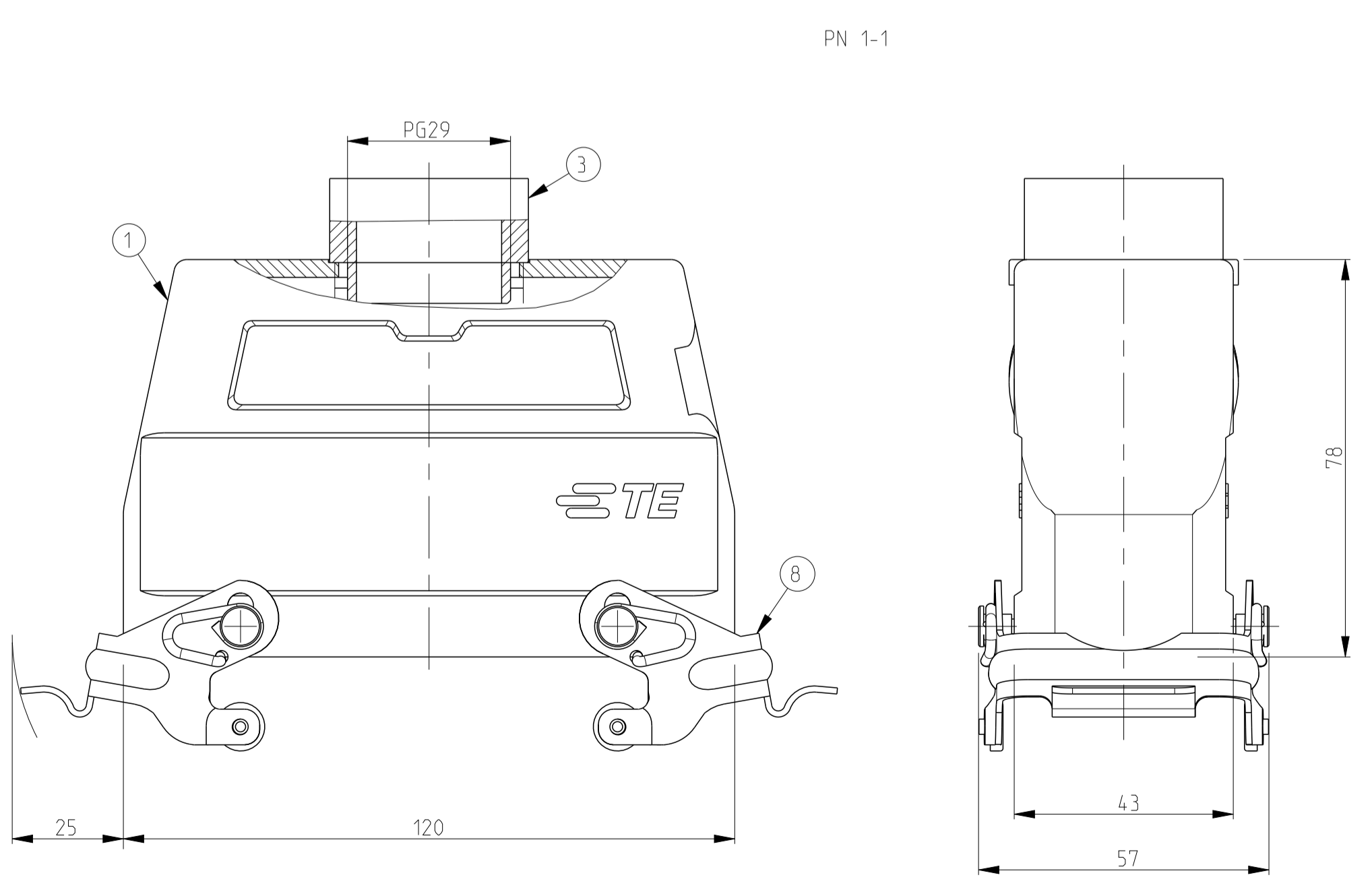
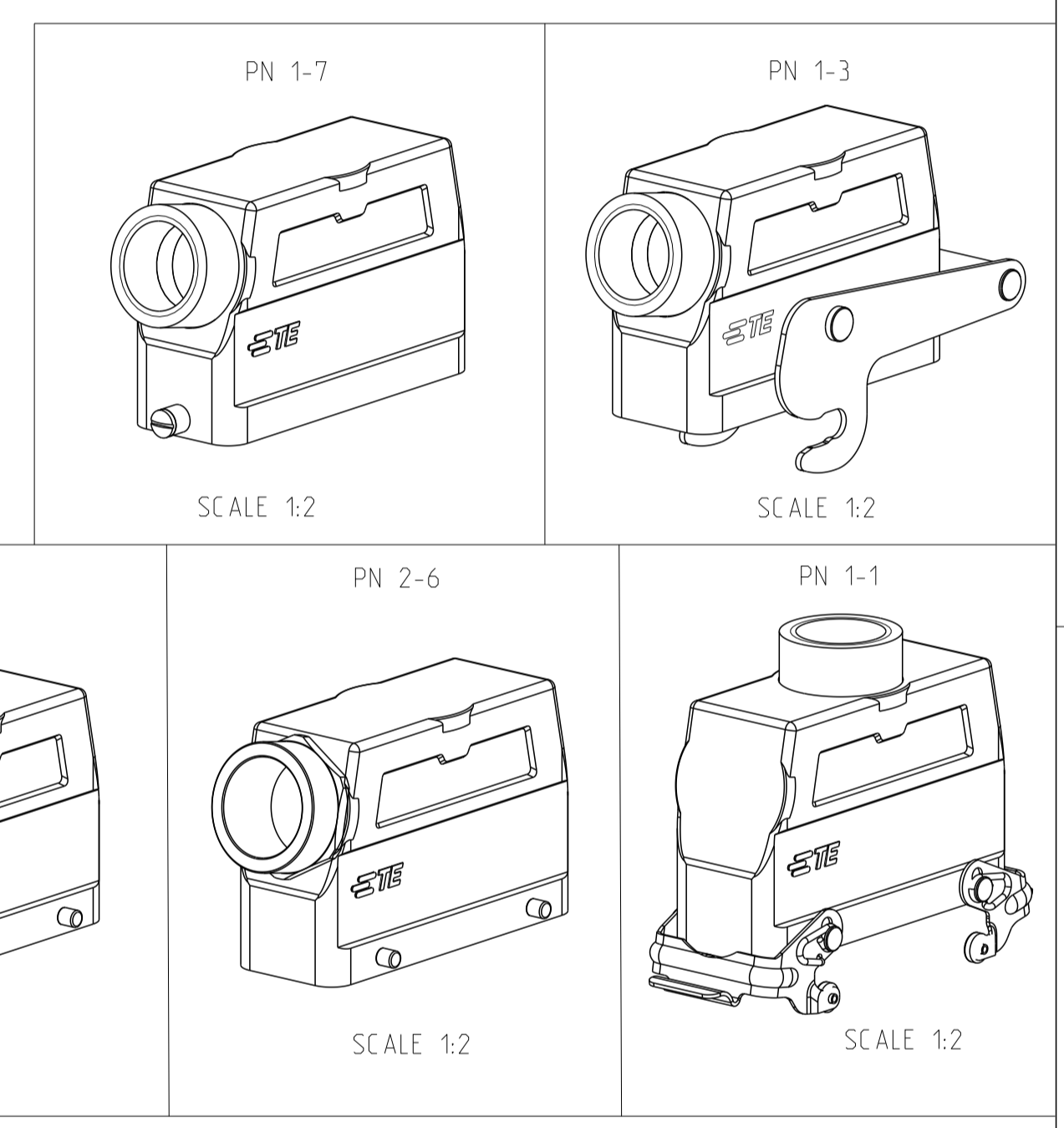


REVISIONS				
P.	LTM	DESCRIPTION	DATE	APVD
AB	ECR-17-014.011		27MAR2018	SG MKO



- NOTES.
- 1 Material:Housing:Aluminium Diecasting Alloy
Seals:Neoprene
 - 2 Surface-Powder Varnish Grey
-Aluminium Oxide +
Varnish Black
 - 3 Varnish on the inside not necessary
 - 4 Packaging
Quantity 5 Pieces in a box



QTY	DESCRIPTION	MATERIAL	SURFACE	COLOR	ITEM NO	REMARKS
1	ZB-Central clip	Stainless steel	-		13	
1	ZB-Central clip	Steel	Zinc plated	Blue	12	
2	LB-Clip bolt	Stainless steel	-		11	
2	LB-Clip bolt	Steel	Zinc plated	Blue	10	
2	VS-Side clip	Stainless steel	-		9	
2	VS-Side clip	Steel	Zinc plated	Blue	8	
4	VS-Clip bolt	Stainless steel	-		7	
4	VS-Clip bolt	Steel	Zinc plated	Blue	6	
1	O ring Pg29	Neoprene	-	Black	5	
1	Adaptor 6kt Pg29	Brass	Nickel plated		4	
1	Adaptor Pg29	Brass	Nickel plated		3	
1	Hood HD.64.Pg.1.29	Aluminium	Aluminium oxide	Black	2	
1	Hood HD.64.Pg.1.29	Aluminium	-	Grey	1	

ORDERING TEXT

HD.64.Sts.1.29.Z
 HD.K.64.Sts.1.29.Z
 HD.64.Sts-VS.1.29.Z
 HD.K.64.Sts-VS.1.29.Z
 HD.64.Sts-GR.1.29.Z
 HD.K.64.Sts-GR.1.29.Z
 HD.Z.64.Sts-ZB.1.29.Z
 HD.K.Z.64.Sts-ZB.1.29.Z
 HD.64.Sts.1.29.Z-SO

THIS DRAWING IS A CONTROLLED DOCUMENT.	OWN Gr. 11.11.1997	TE Connectivity
	CHK Krammen 02.06.98	
DIMENSIONS: mm	TOLERANCES UNLESS SPECIFIED:	NAME Hood
	0 PLC ±	HD.64.STS.1.29.G
	1 PLC ±	PRODUCT SPEC 108-74.001
	2 PLC ±	108-74.003
	3 PLC ±	APPLICATION SPEC 114-74.001
	4 PLC ±	114-74.004
MATERIAL FINISH	WEIGHT	SIZE CAGE CODE DRAWING NO RESTRICTED TO
		A1 00779 C=1103337
CUSTOMER DRAWING		SCALE 1:1 SHEET 1 OF 1 REV. AB

单击下面可查看定价，库存，交付和生命周期等信息

[>>TE Connectivity\(泰科\)](#)