

4

3

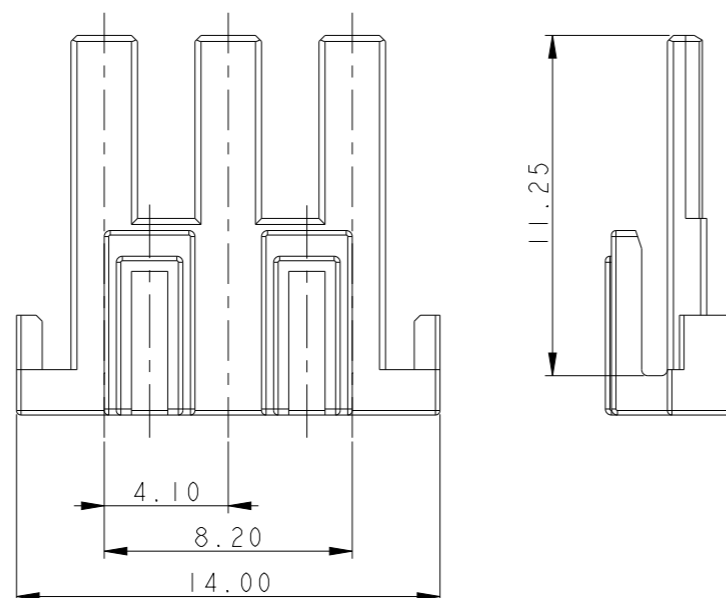
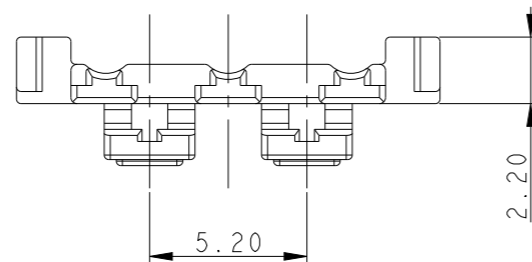
2

1

Ⓒ



REVISIONS

P	LTR	DESCRIPTION	DATE	DWN	APVD
	A1	REVISED PER ECR-21-111446	09SEP2021	SK	DZ



NOTES.
 1. GENERAL TOLERANCES : ±0.3
 2. APPLICABLE PLUG HSG : 2005542-X

2005543-6	DBL PLATE	PBT-GF	BLUE
2005543-5	DBL PLATE	PC/PET	YELLOW
P/N	DESCRIPTION	MATERIAL	COLOR

THIS DRAWING IS A CONTROLLED DOCUMENT.		DWN BH CHO	 TE Connectivity NAME DOUBLE LOCK PLATE FOR BLOWER MOTOR 3P			
DIMENSIONS: mm		CHK BW KANG				
		APVD JK SONG				
TOLERANCES UNLESS OTHERWISE SPECIFIED: 0 PLC ± 1 PLC ± 2 PLC ± 3 PLC ± 4 PLC ± ANGLES ± FINISH ±		PRODUCT SPEC 108-61076				
MATERIAL		APPLICATION SPEC	SIZE A3	CAGE CODE C-2005543	DRAWING NO	RESTRICTED TO -
CUSTOMER DRAWING			SCALE 4:1	SHEET 1	OF 1	REV A1

单击下面可查看定价，库存，交付和生命周期等信息

[>>TE Connectivity\(泰科\)](#)