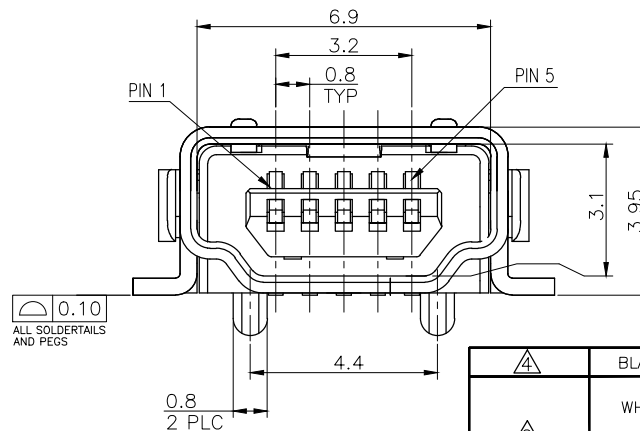
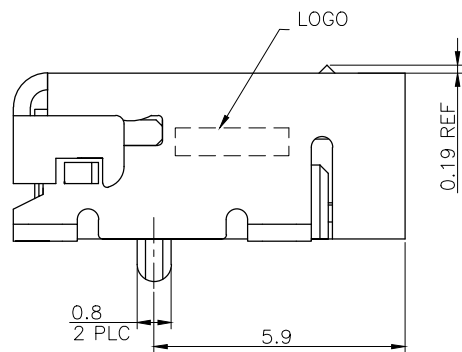
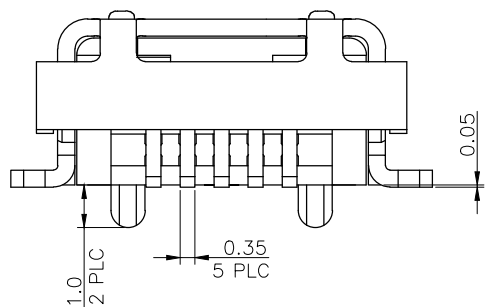
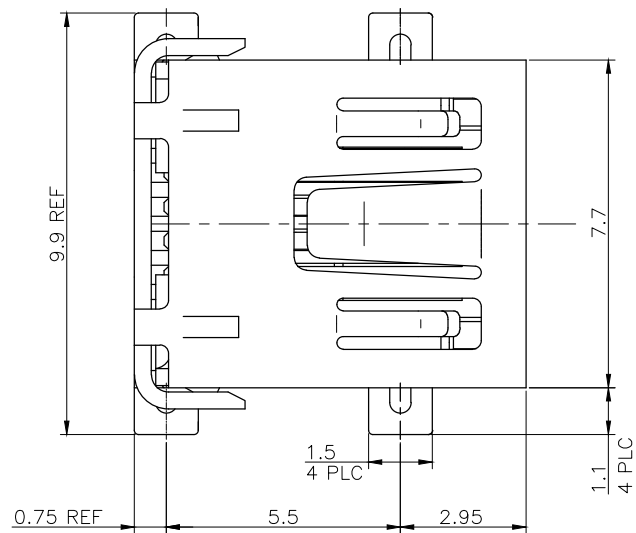


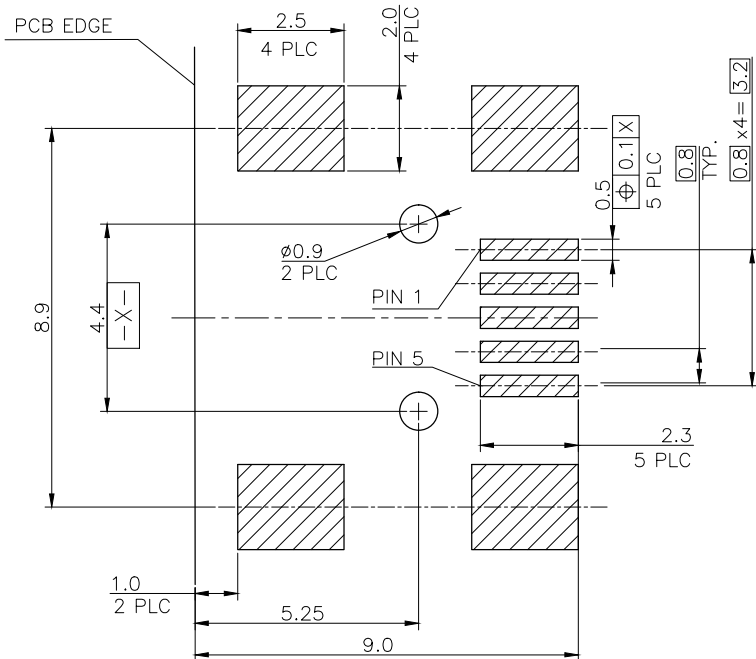
LOC DW	DIST	REVISIONS			
P	LTR	DESCRIPTION	DATE	DWN	APVD
D1		REVISED (ECR-14-009618)	23JAN15	S.C	H.L



⚠	BLACK	REEL	2-1734327-2
	WHITE	REEL	1-1734327-2
⚠	BLACK	TRAY	1-1734327-1
		REEL	1734327-2
FINISH (SEE SHEET 2)	HSG. COLOR	TRAY	1734327-1
		PACKAGE	PART NUMBER

THIS DRAWING IS A CONTROLLED DOCUMENT.		DWN F. YANG 16DEC2008	<b>STE</b> TE Connectivity	
DIMENSIONS: MM		CHK S. CHIEN 16DEC2008		
TOLERANCES UNLESS OTHERWISE SPECIFIED:		APVD W. KODAMA 16DEC2008	NAME	
0 PLC ± 0.38		PRODUCT SPEC	MINI USB CONNECTOR	
1 PLC ± 0.25		108-57062	A SERIES, RCPT, R/A, SMT TYPE	
2 PLC ± 0.13		QUALIFICATION TEST REPORT	RESTRICTED TO	
3 PLC ± 0.05		501-57070	SIZE	CAGE CODE
4 PLC ± -		WEIGHT 0.76 GRAMS	A3	00779
ANGLES ± 3'		CUSTOMER DRAWING	DRAWING NO	C=1734327
MATERIAL SEE SHEET 2	FINISH SEE SHEET 2	SCALE		SHEET 1 of 4
				REV D1

LOC	DIST	REVISIONS			
P	LTR	DESCRIPTION	DATE	DWN	APVD
		SEE SHEET 1.			

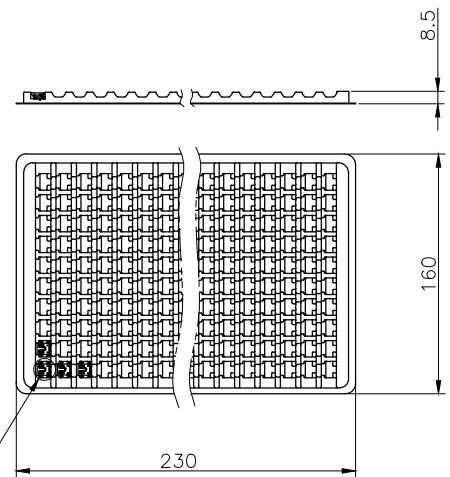
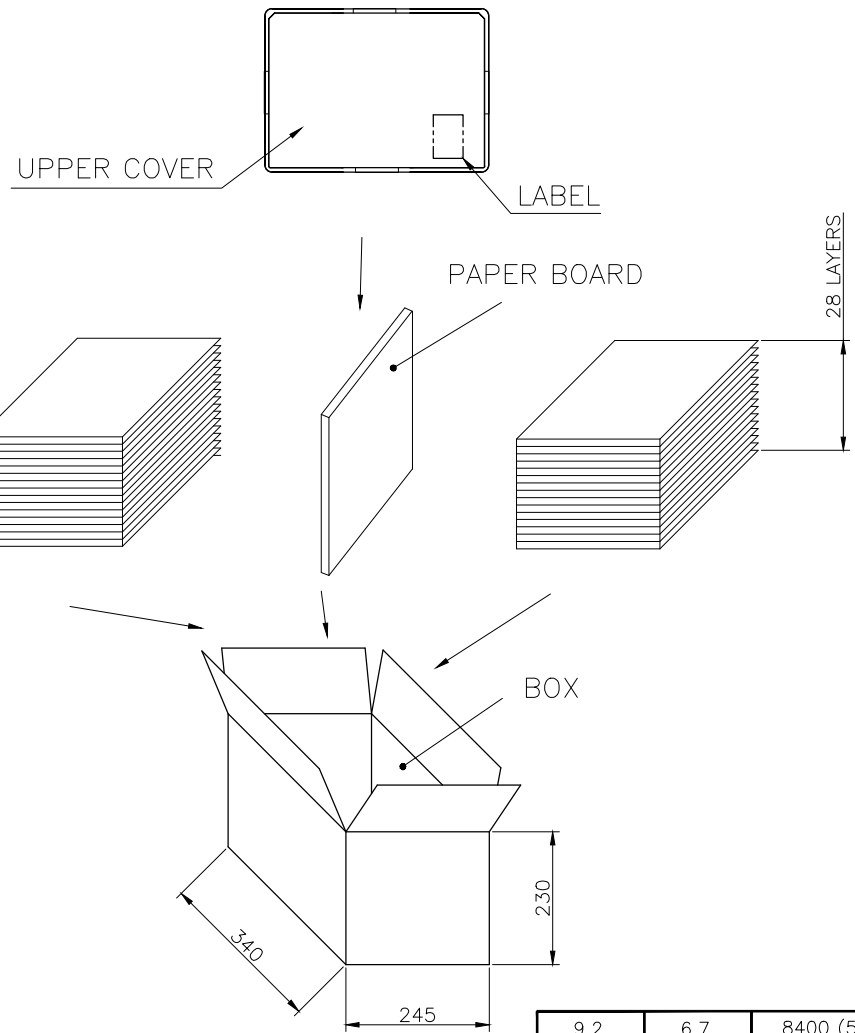


RECOMMENDED PCB LAYOUT (MOUNTING SIDE)  
(THICKNESS=1.57mm) (TOLERANCE=±0.05mm)

- NOTES:
- MATERIAL:  
HOUSING: PA9T ,WITH 30% GF, UL 94V-0, COLOR: SEE TABLE.  
CONTACT: PHOSPHOR BRONZE, THICKNESS:0.25±0.05mm.  
SHELL: PHOSPHOR BRONZE, THICKNESS:0.40±0.05mm.
  - FINISH:  
CONTACTS: GOLD FLASH OVER  
0.76µm [30µ" ] MIN. PALLADIUM-NICKEL PLATED ON CONTACT AREA,  
2.54µm [100µ" ] MIN. MATTE-TIN PLATED ON OLDER TAILS:  
1.27µm [50µ" ] MIN. NICKEL UNDERPLATED ALL OVER.  
SHELL: 1.27µm [50µ" ] MIN. NICKEL PLATED ALL OVER
  - REFLOW SOLDER CAPABLE TO 260°C PER TE SPEC 109-201  
CONDITION B.
  - FINISH:  
CONTACTS: GOLD FLASH OVER  
0.76µm [30µ" ] MIN. PALLADIUM-NICKEL PLATED ON CONTACT AREA,  
3.0µm [118µ" ] MIN. MATTE-TIN PLATED ON SOLDER TAILS :  
1.27µm [50µ" ] MIN. NICKEL UNDERPLATED OVERALL.  
SHELL: 0.76~2.28µm [30~90µ" ] MATTE TIN  
1.27µm [50µ" ] MIN. NICKEL UNDERPLATED

THIS DRAWING IS A CONTROLLED DOCUMENT.		DWN	TE Connectivity	
DIMENSIONS: MM		CHK		
		APVD	NAME	
TOLERANCES UNLESS OTHERWISE SPECIFIED:		PRODUCT SPEC	MINI USB CONNECTOR A SERIES, RCPT, R/A, SMT TYPE	
0 PLC ± -		APPLICATION SPEC	SIZE	RESTRICTED TO
1 PLC ± -		WEIGHT	A3	
2 PLC ± -			CAGE CODE	DRAWING NO
3 PLC ± -			00779	C=1734327
4 PLC ± -				
ANGLES ± -				
MATERIAL	FINISH	CUSTOMER DRAWING	SCALE	SHEET 2 of 4
				REV D1

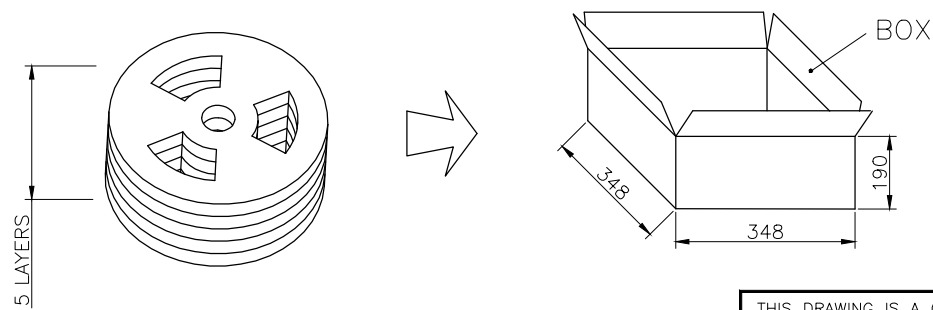
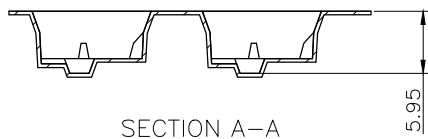
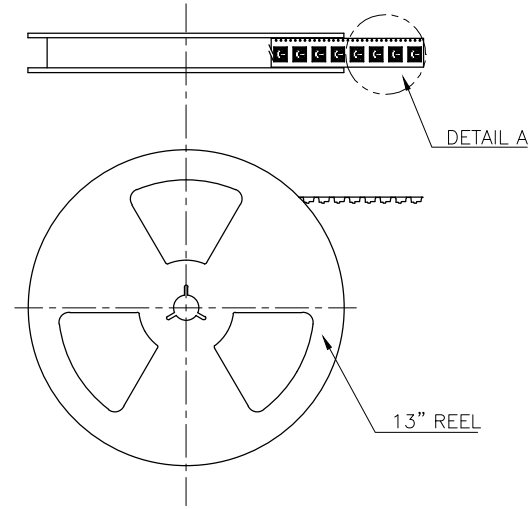
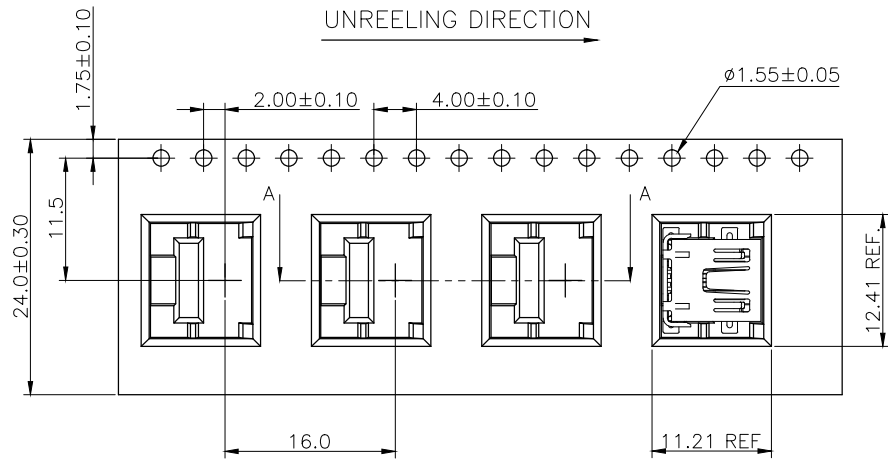
LOC DW	DIST	REVISIONS			DATE	DWN	APVD
P	LTR	DESCRIPTION					
		SEE SHEET 1.					



9.2	6.7	8400 (56 TRAYS)	150
G.W(KGS)	N.W(KGS)	QUANTITY/ BOX	PCS/ TRAY

THIS DRAWING IS A CONTROLLED DOCUMENT.		DWN	<b>STE</b> TE Connectivity	
DIMENSIONS: MM		CHK		
TOLERANCES UNLESS OTHERWISE SPECIFIED:		APVD	NAME	
0 PLC ± -		PRODUCT SPEC	MINI USB CONNECTOR	
1 PLC ± -		APPLICATION SPEC	A SERIES, RCPT, R/A, SMT TYPE	
2 PLC ± -		WEIGHT	SIZE	RESTRICTED TO
3 PLC ± -			A3	
4 PLC ± -			00779	
ANGLES ± -			C=1734327	
MATERIAL	FINISH	CUSTOMER DRAWING	SCALE	SHEET 3 of 4
				REV D1

LOC DW	DIST	REVISIONS		
P	LTR	DESCRIPTION	DATE	DWN APVD
		SEE SHEET 1.		



- NOTES:
1. APPLICABLE DOCUMENT: EIA-481-2
  2. PACKAGE: 700 PCS/REEL, 5 REELS/BOX  
W.G.:6.5Kg, N.G.: 5.5Kg
  3. QUANTITY: 3500 PCS.

6.5	5.5	3500	700
G.W(KGS)	N.W(KGS)	QUANTITY/ BOX	PCS/ REEL

THIS DRAWING IS A CONTROLLED DOCUMENT.		DWN	<b>STE</b> TE Connectivity	
DIMENSIONS: MM		CHK		
TOLERANCES UNLESS OTHERWISE SPECIFIED:		APVD	NAME	
0 PLC ± -		PRODUCT SPEC	MINI USB CONNECTOR	
1 PLC ± -		APPLICATION SPEC	A SERIES, RCPT, R/A, SMT TYPE	
2 PLC ± -		WEIGHT	SIZE	RESTRICTED TO
3 PLC ± -			A300779	
4 PLC ± -			C=1734327	
ANGLES ± -		CUSTOMER DRAWING	SCALE	SHEET
FINISH				4 of 4
				REV D1

单击下面可查看定价，库存，交付和生命周期等信息

[>>TE Connectivity\(泰科\)](#)