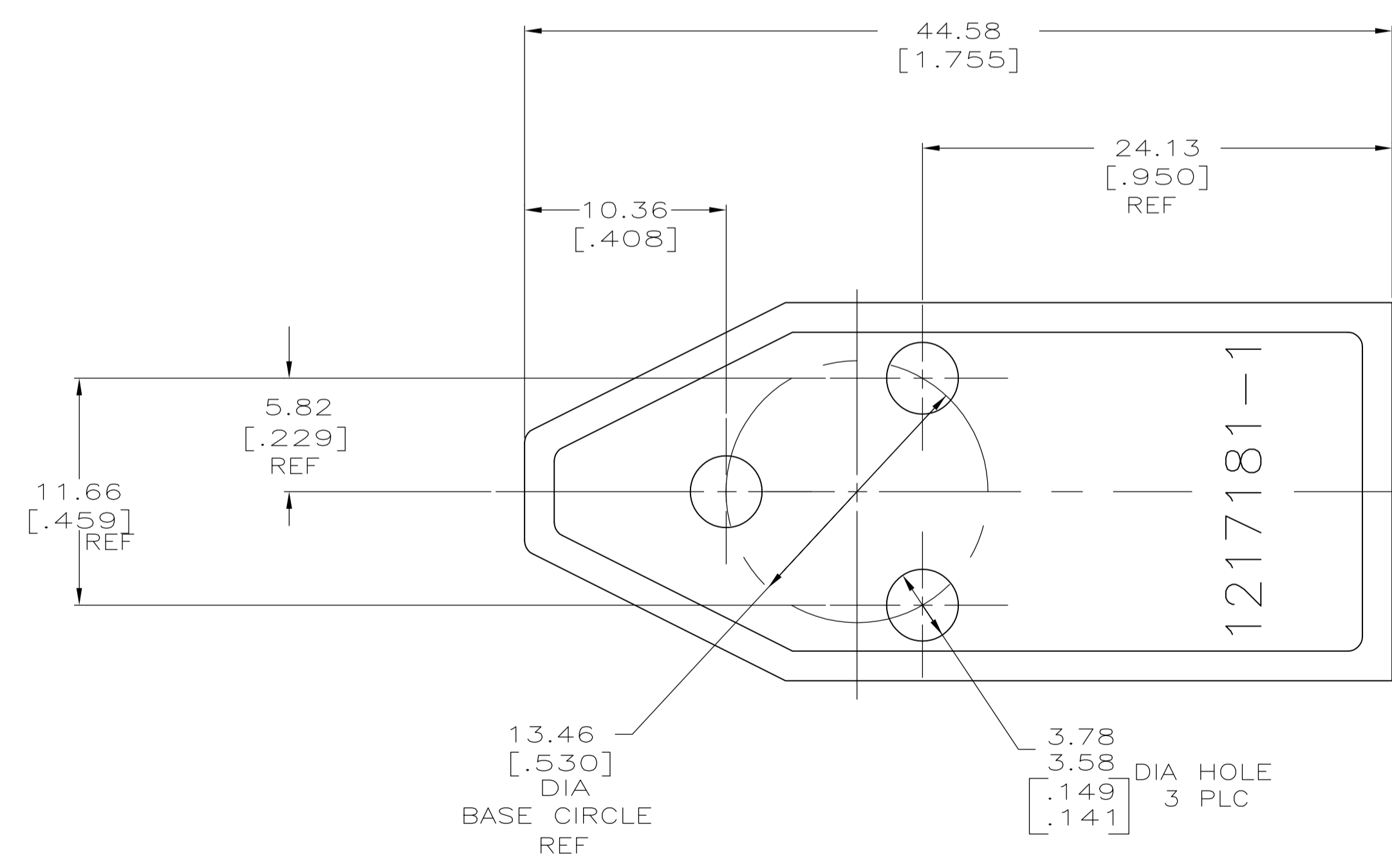
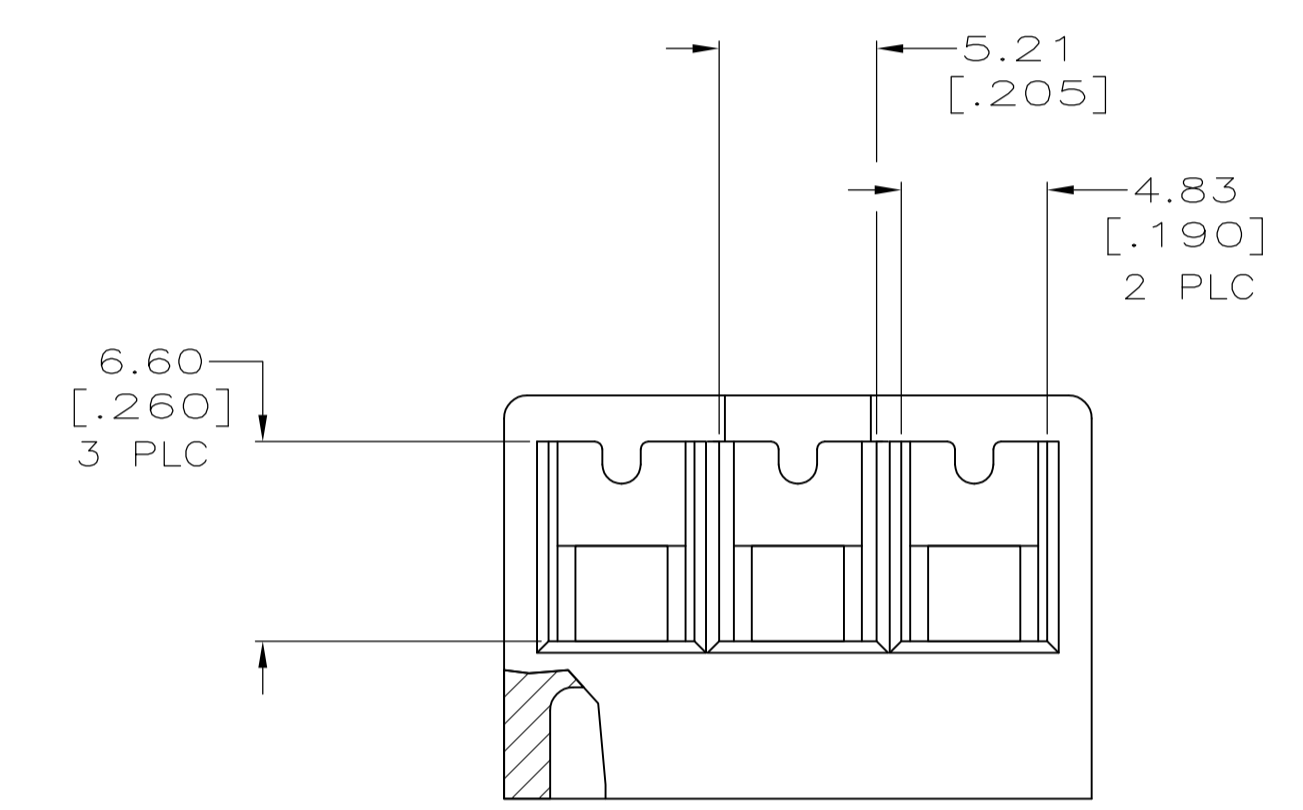
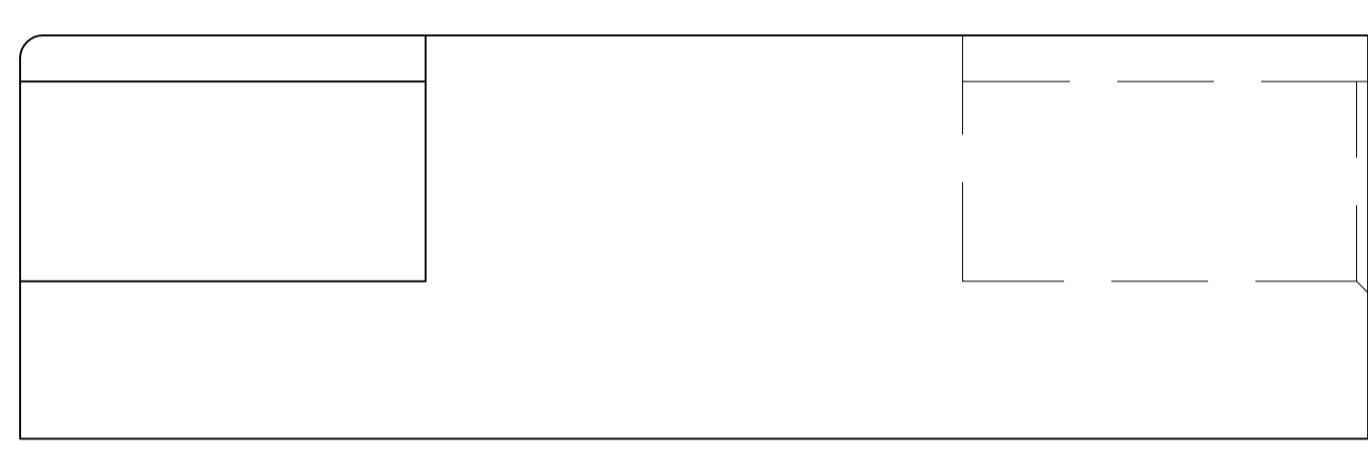
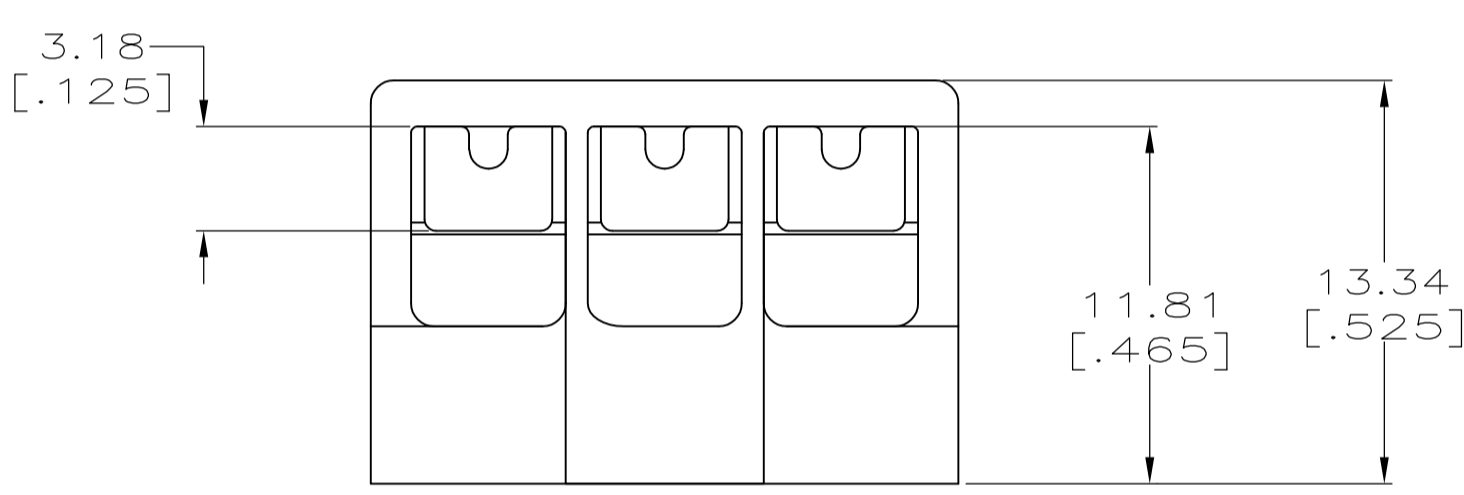
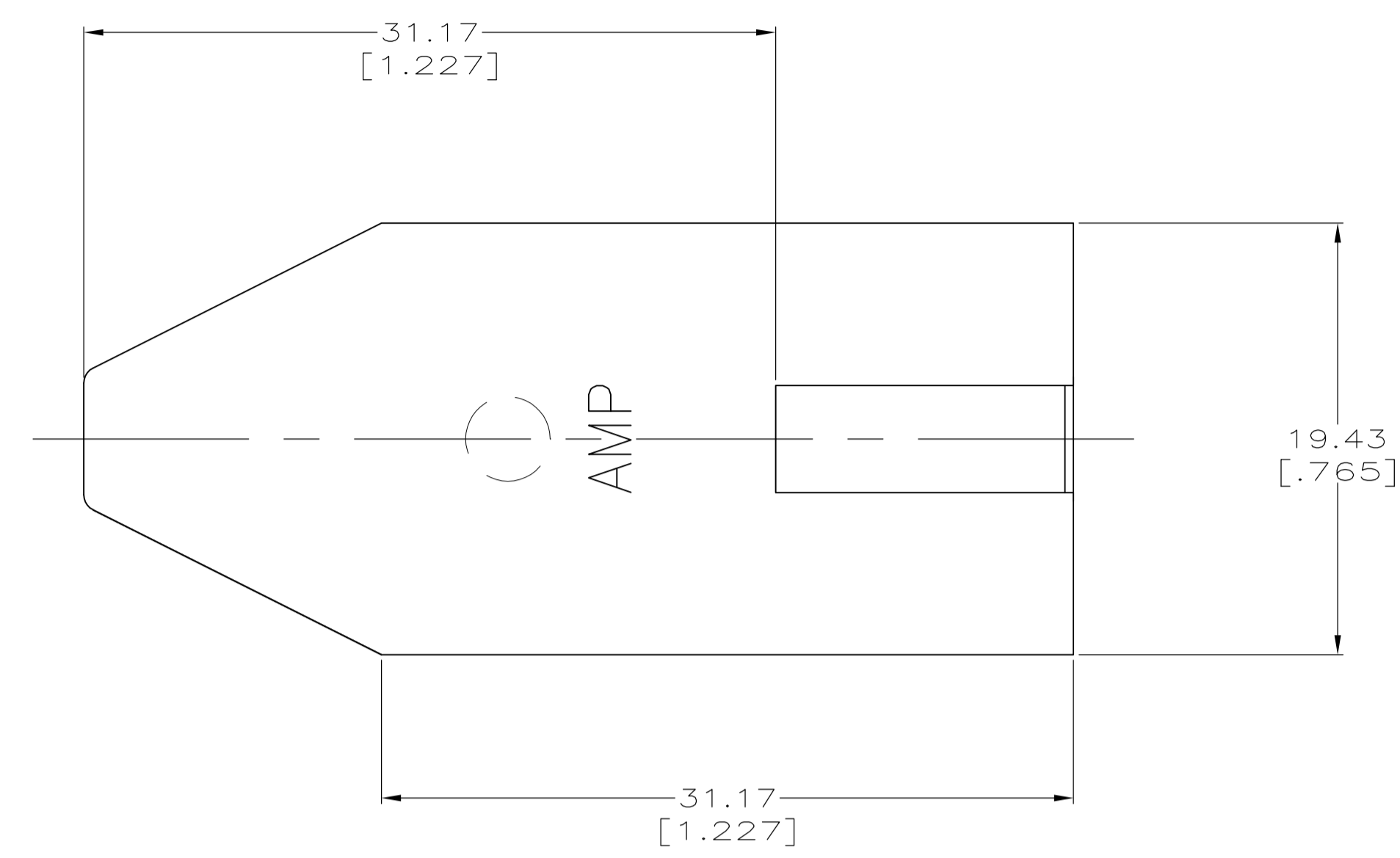


1 HOUSING ACCEPTS 3.18 [.125] DIA CLUSTER PIN RECEPTACLES



1217181-1  
PART NUMBER

THIS DRAWING IS A CONTROLLED DOCUMENT.		DIN	18AUG1999	Tyco Electronics Corporation Harrisburg, PA 17105-3608
		CHK	MICHAEL S. FEHER 18AUG1999	
DIMENSIONS: mm [INCHES]		TOLERANCES UNLESS OTHERWISE SPECIFIED:		Tyco Electronics HOUSING, CLUSTER BLOCK, 3.18 [.125] DIA
0 PLC ± -		1 PLC ± -		
1 PLC ± -		2 PLC ± 0.25 [.010]		
2 PLC ± -		3 PLC ± -		
3 PLC ± -		4 PLC ± -		APVD
4 PLC ± -		ANGLES ± -		PETE DESANTIS 18AUG1999
MATERIAL PBT UNFILLED		FINISH NATURAL		NAME
		WEIGHT		108-2008
		CUSTOMER DRAWING		APPLICATION SPEC
		SCALE 4:1		114-2019
		SHEET 1 OF 1		RESTRICTED TO
		REV G		A1 00779 C=1217181

单击下面可查看定价，库存，交付和生命周期等信息

[>>TE Connectivity\(泰科\)](#)