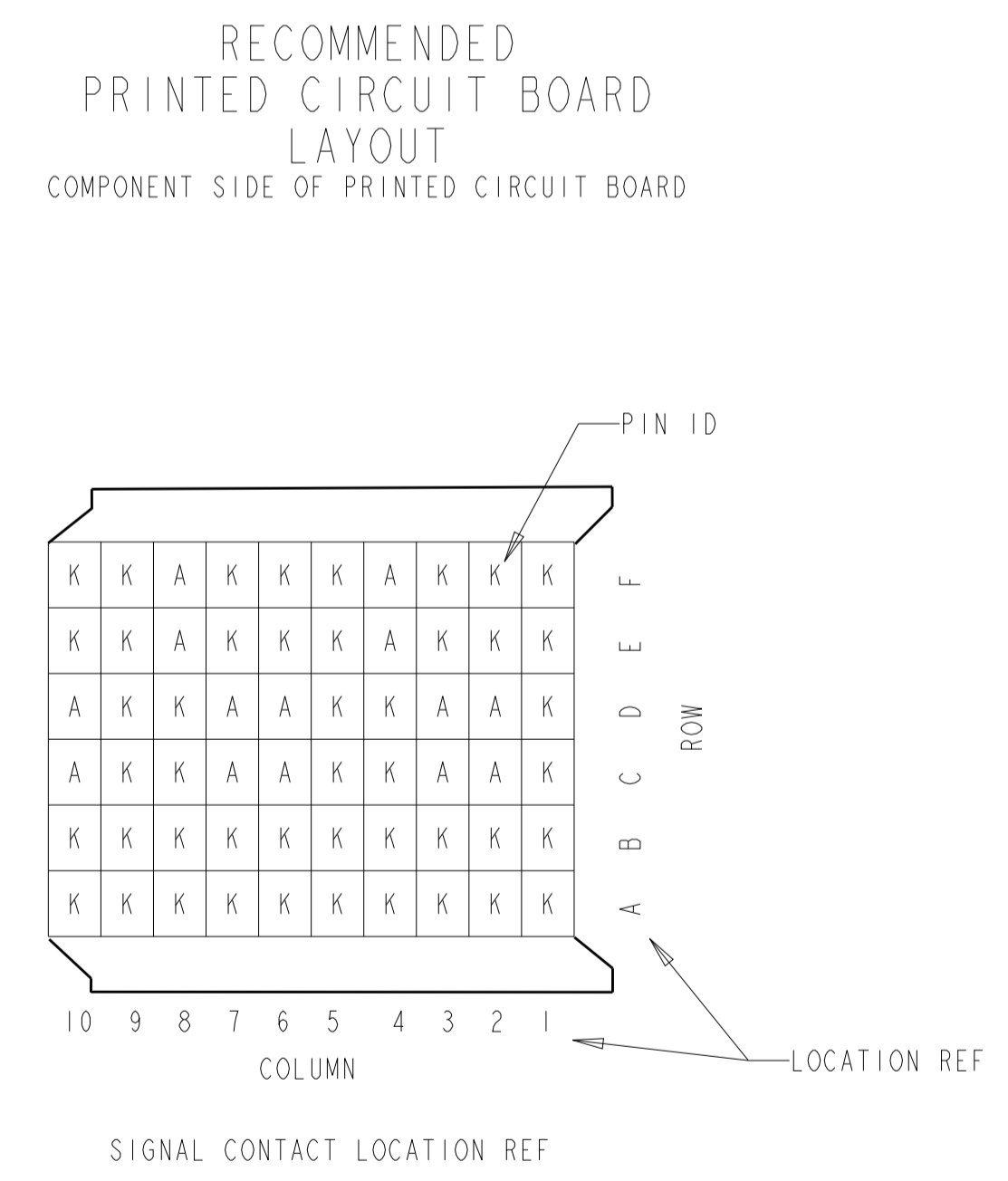
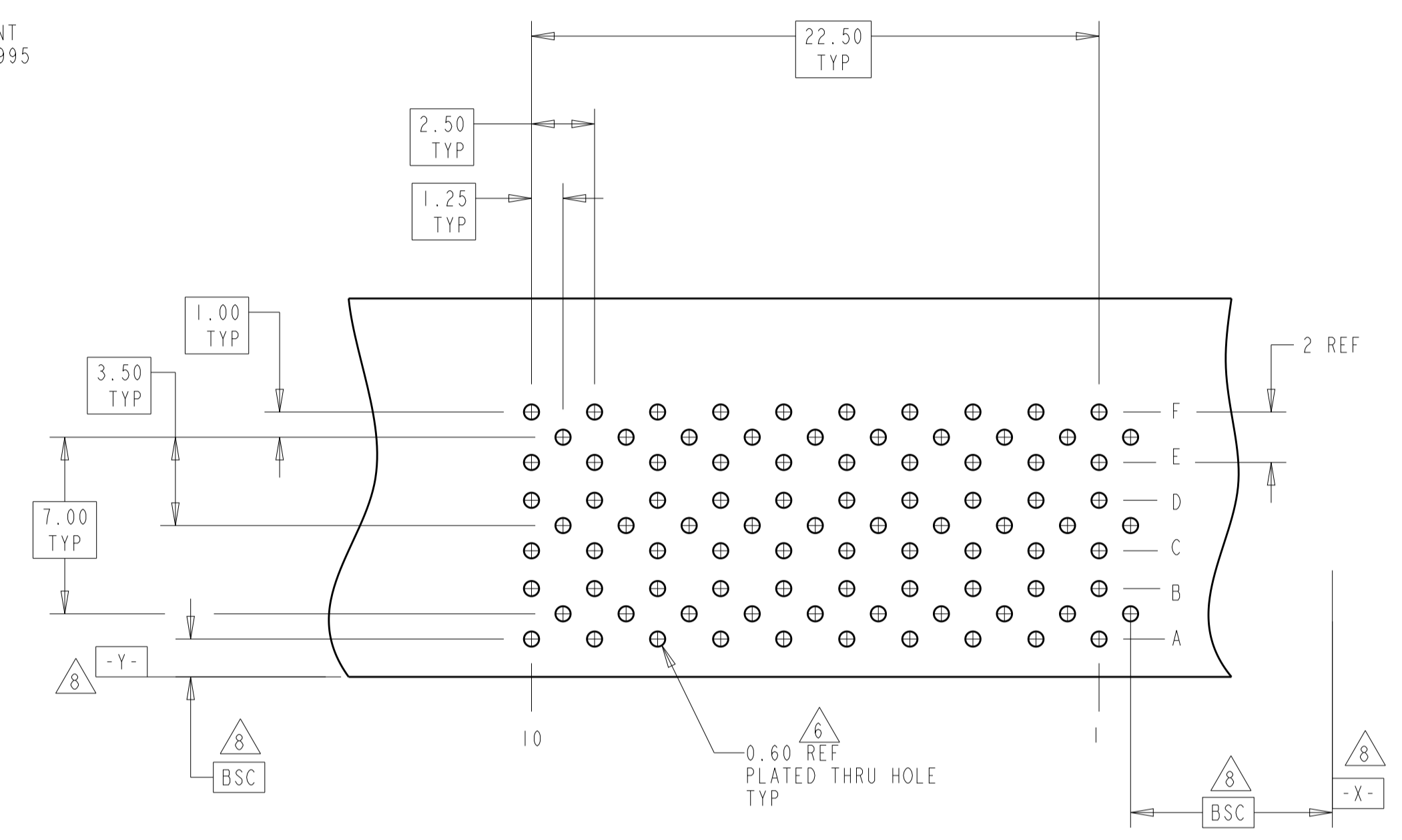
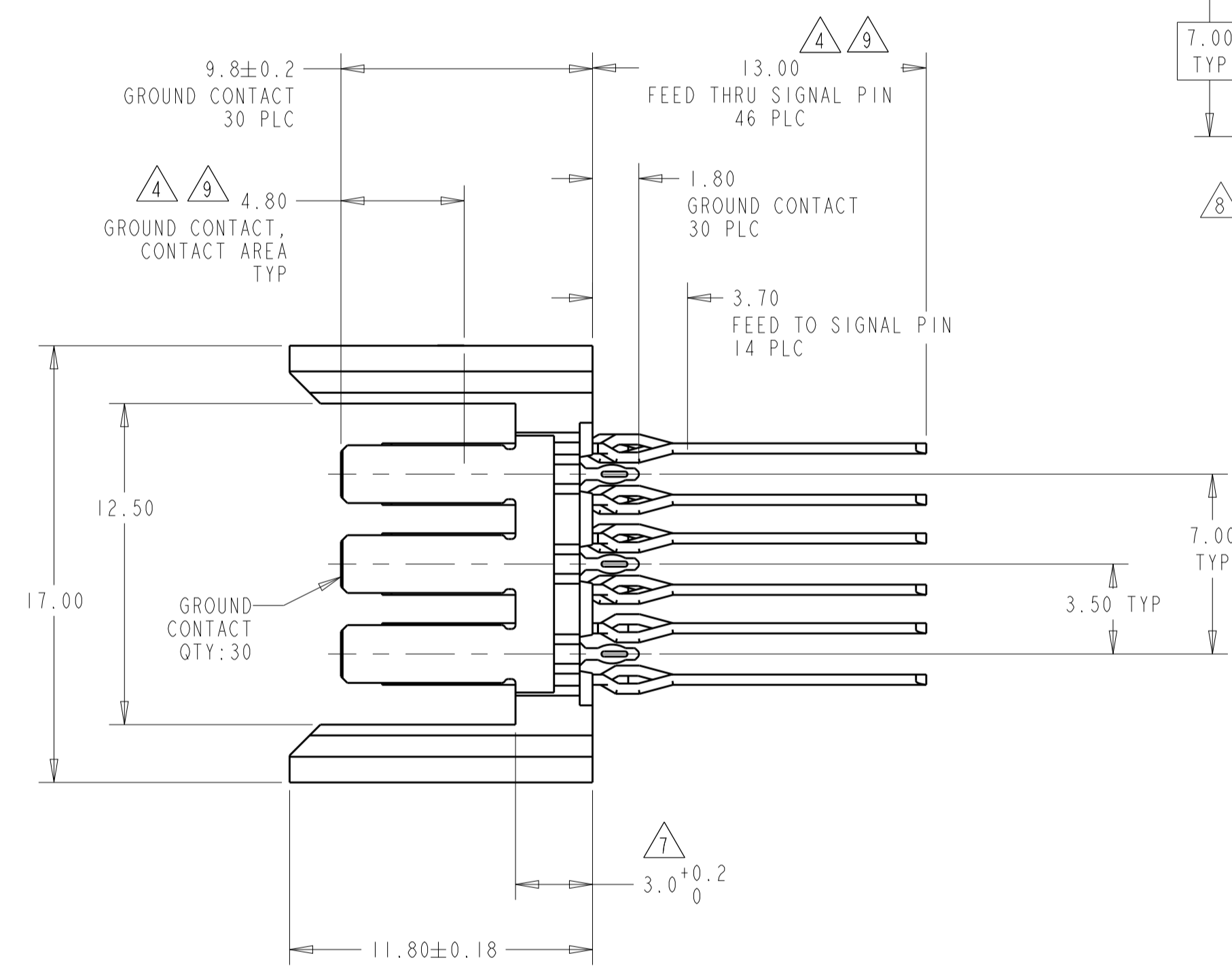
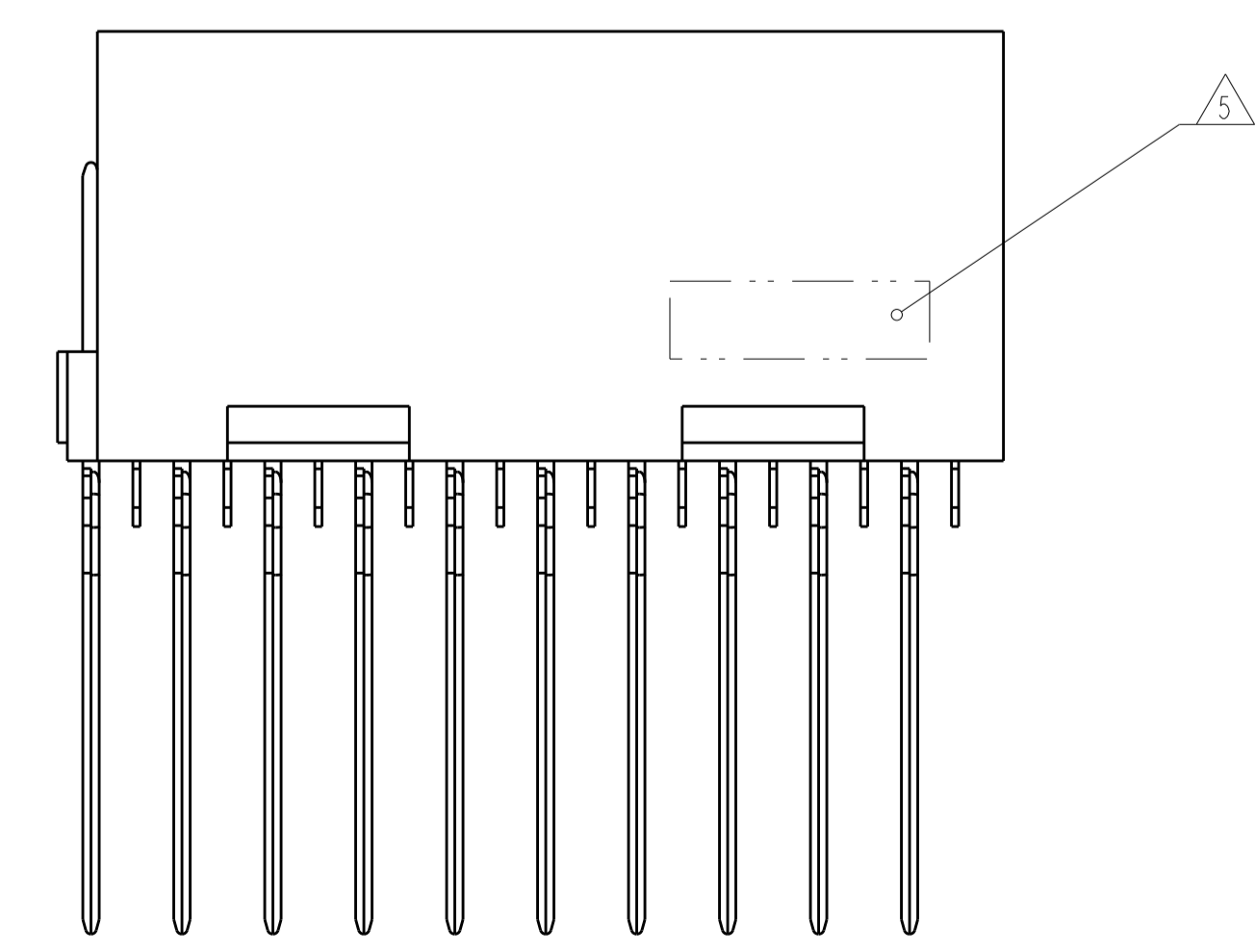
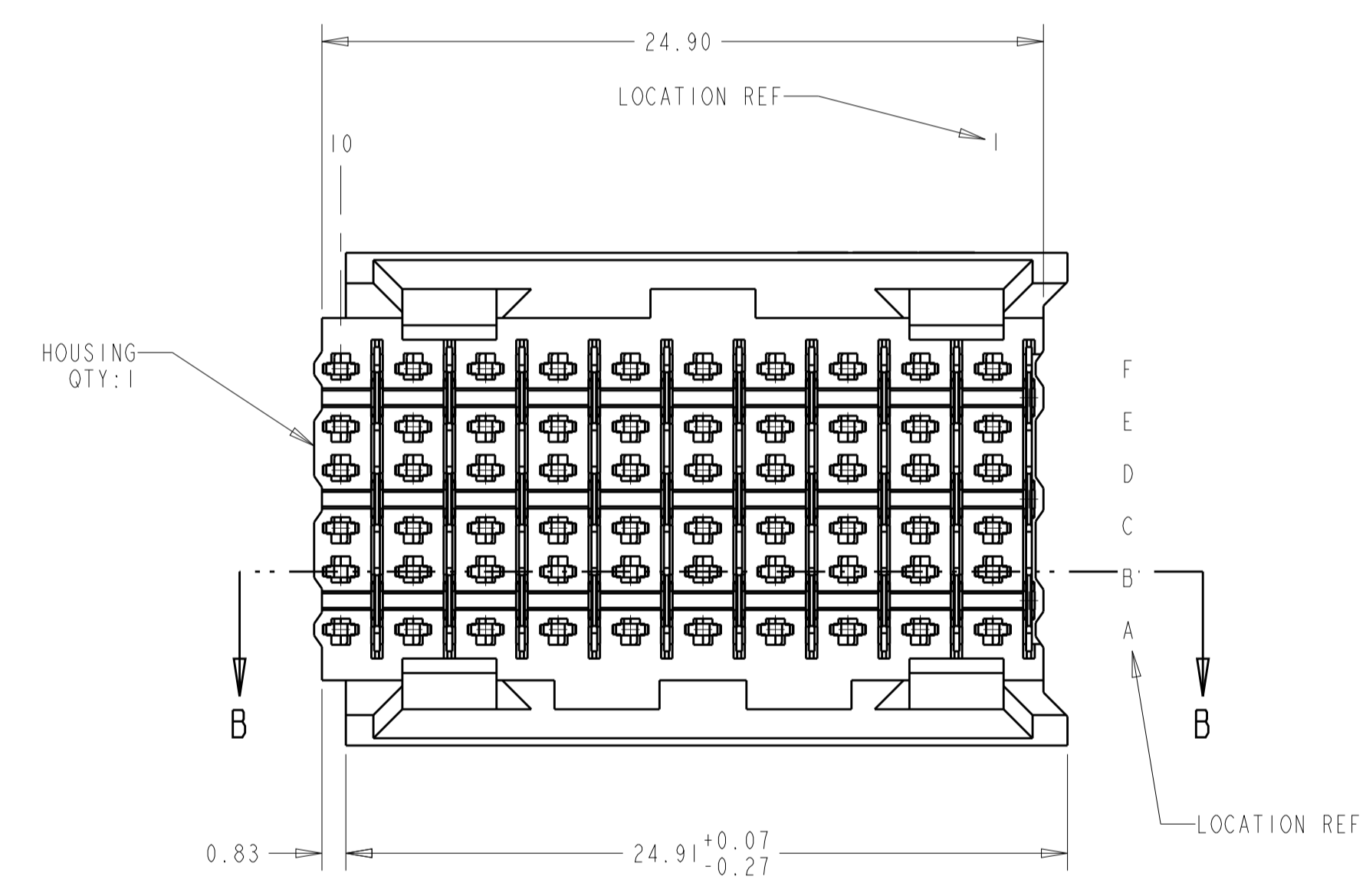
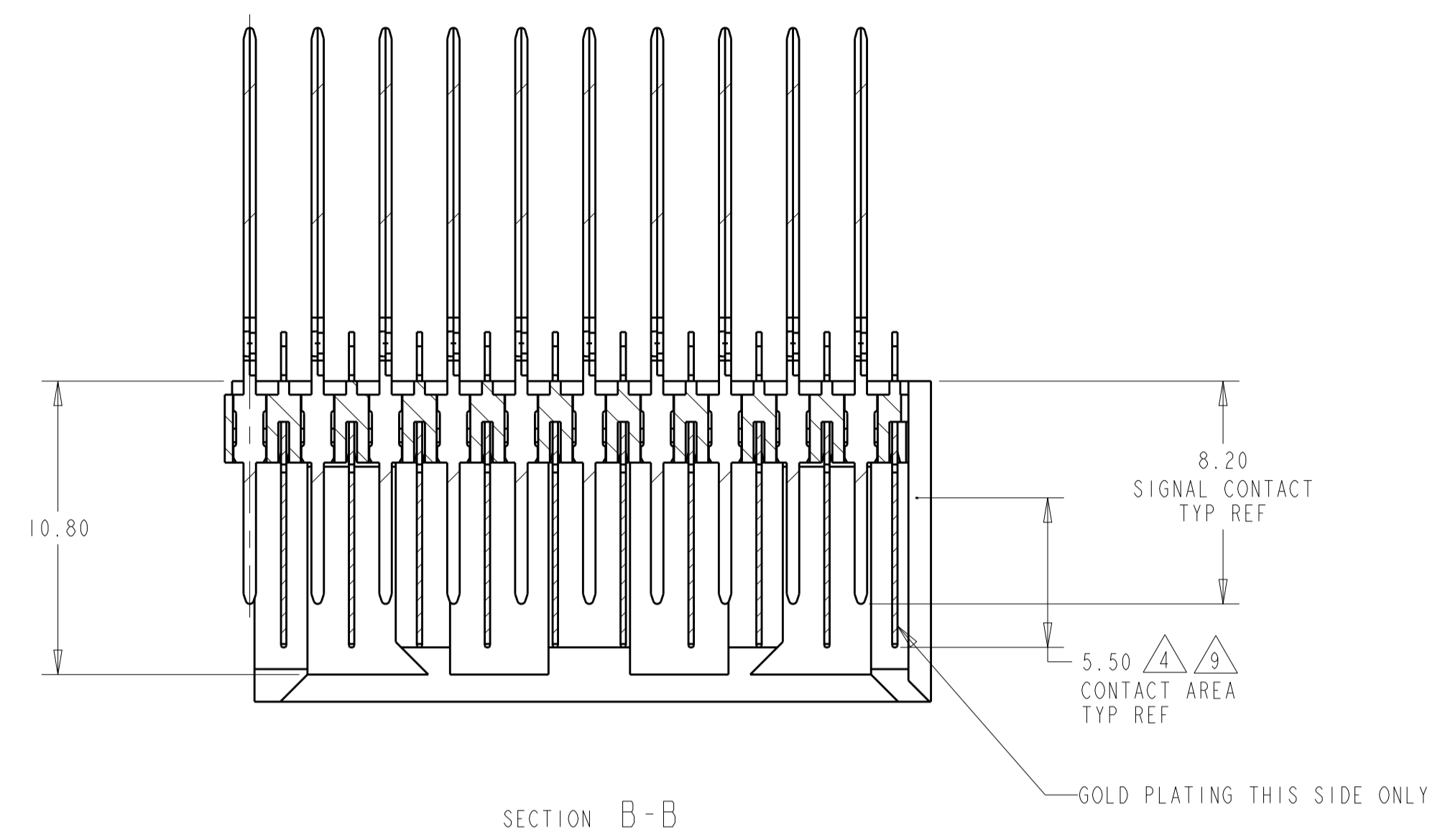


LOC		DIST		REVISIONS			
AD	00	P	LTN	DESCRIPTION	DATE	DWN	APVD
		A		RELEASED	24SEP2012	-	JE

- 2 PHOSPHOR BRONZE
- 3 LCP, UL94V-0
- 4 FINISH:
CONTACT MATING AREA MEETS THE PERFORMANCE REQUIREMENTS OF
TE CONNECTIVITY PRODUCT SPECIFICATION 108-1957; BASED ON
TELCORDIA GR-1217-CORE; APPLICATIONS IN UNCONTROLLED ENVIRONMENTS.
COMPLIANT PIN AREA: 0.5µm MIN MATTE TIN OVER BASE PLATING.
- 5 CONNECTOR MARKED WITH PART NUMBER AND DATE CODE
- 6 REFERENCE APPLICATION SPEC 114-13020 FOR RECOMMENDED
PLATED THRU HOLE DIAMETER AND PLATING THICKNESS.
- 7 APPLICATION SEATING HEIGHT TO PRINTED CIRCUIT BOARD
- 8 DATUMS AND BASIC DIMENSIONS ESTABLISHED BY CUSTOMER
- 9 CONTACT AREA LUBRICATED WITH BELLCORE APPROVED LUBRICANT
TECHNICAL REFERENCE: GR-1217-CORE, ISSUE 1, NOVEMBER 1995



5120994-1
PART NUMBER

THIS DRAWING IS A CONTROLLED DOCUMENT.		DWN: R. IREA 19FEB2007	TE Connectivity
DIMENSIONS: mm		CHK: R. PATTERSON 19FEB2007	
TOLERANCES UNLESS OTHERWISE SPECIFIED:		APVD: R. PATTERSON 19FEB2007	NAME: HEADER ASSEMBLY, 60 POSITION, 6 ROW, FEED THROUGH, BACKPLANE CONNECTOR, Z-PACK HS3
0 PLC ± 1 PLC ±0.13 2 PLC ±0.05 3 PLC ±0.05 4 PLC ± ANGLES ±		PRODUCT SPEC	
MATERIAL: HOUSING: 3		APPLICATION SPEC	SIZE: A1 CAGE CODE: 00779 DRAWING NO: 5120994
CONTACTS: 2		WEIGHT	
SIGNAL CONTACT: 4		CUSTOMER DRAWING	SCALE: 5:1 SHEET: 1 OF 1 REV: A

单击下面可查看定价，库存，交付和生命周期等信息

[>>TE Connectivity\(泰科\)](#)