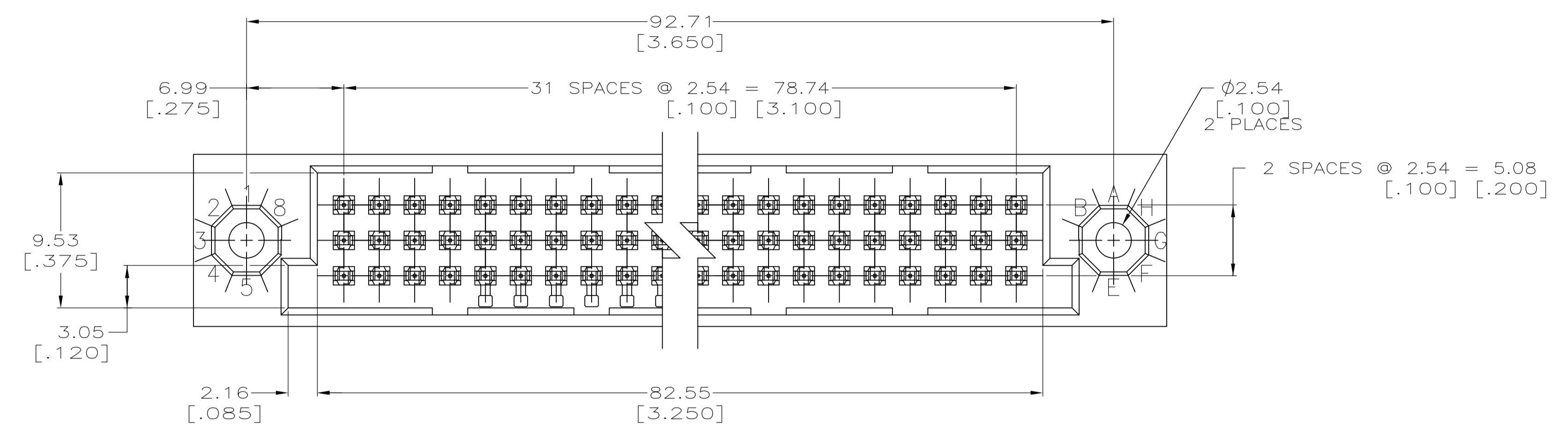
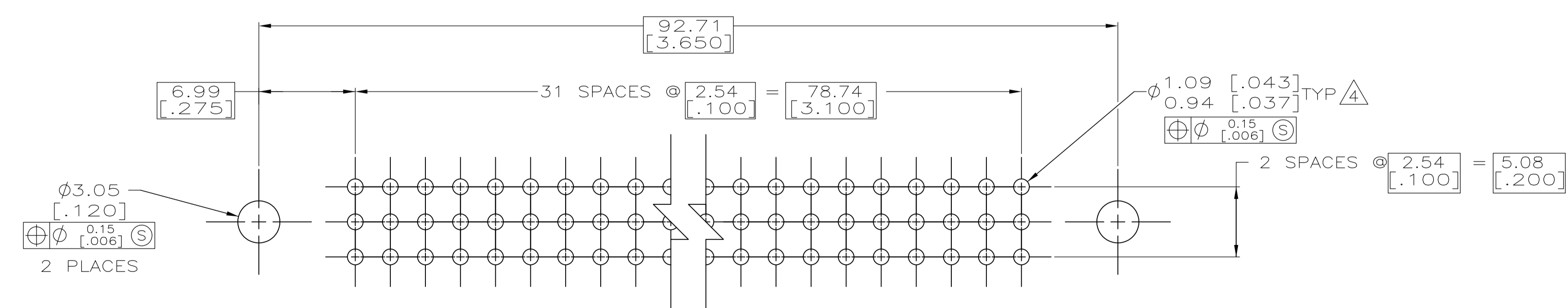
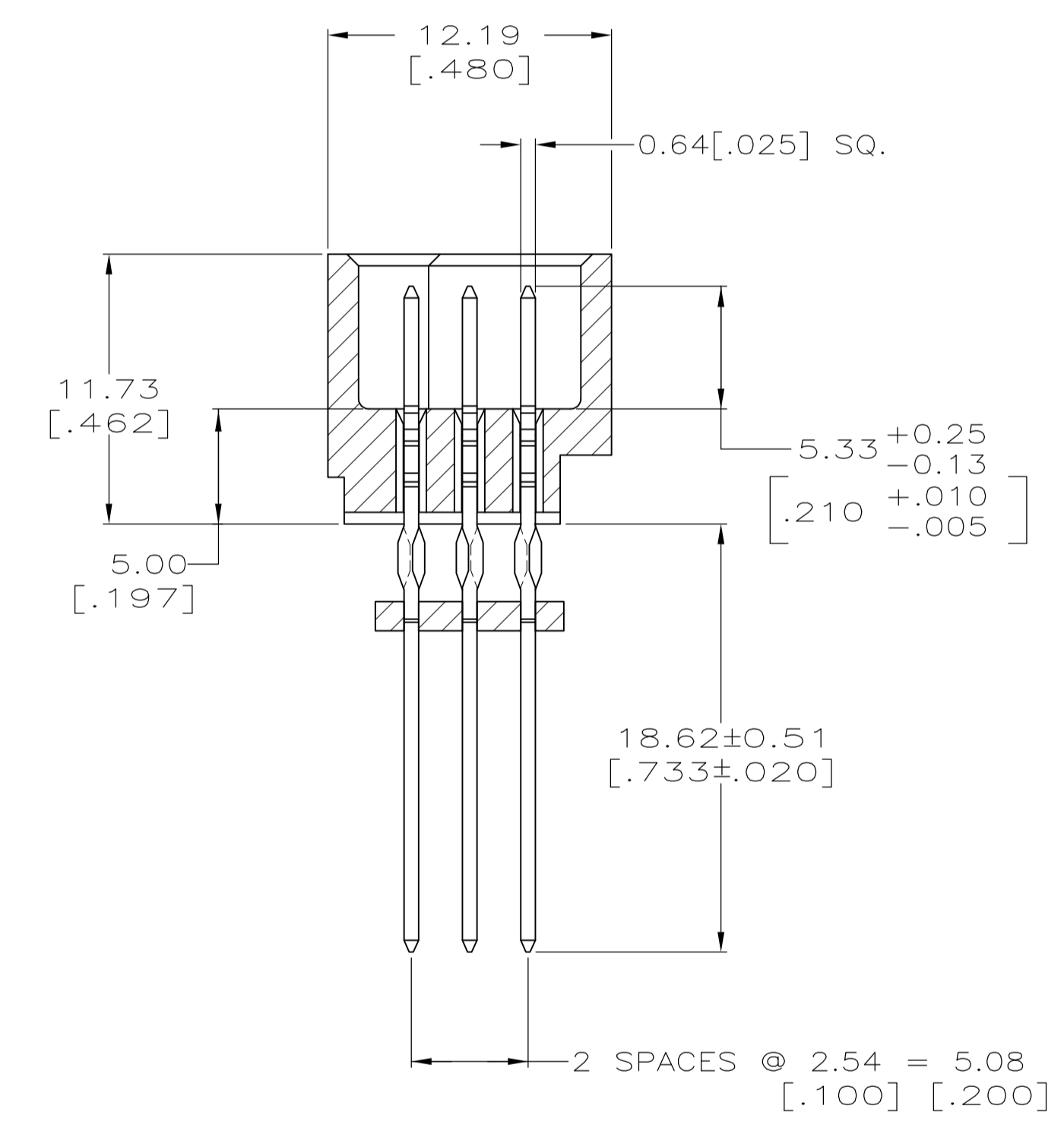
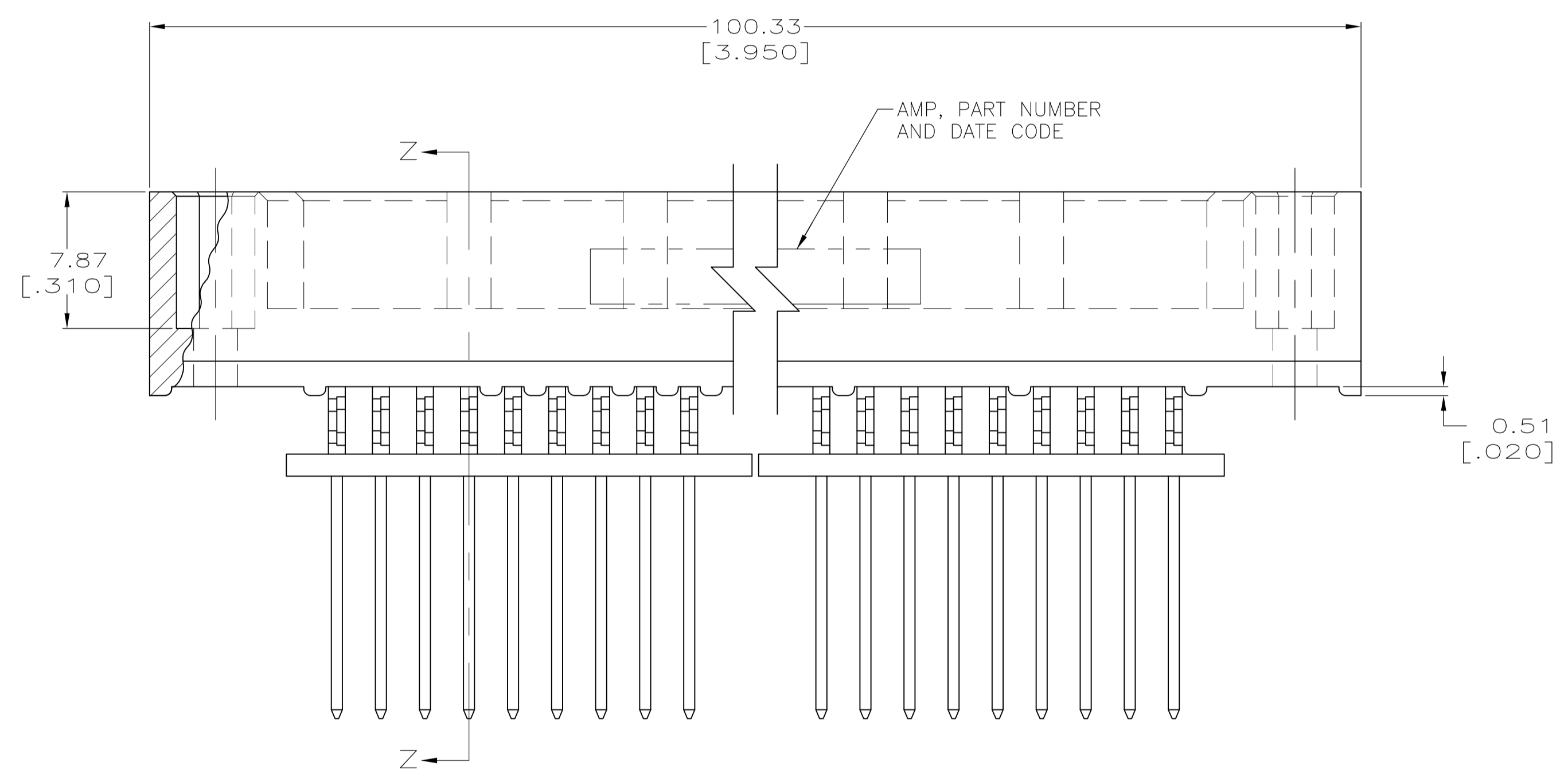


REVISIONS					
REV	DATE	DESCRIPTION	BY	CHKD	APPROV
B	13NOV15	REVISED PER ECO-15-015252	BJ		FY
B1	10MAR16	REVISED PER ECO-16-003656	B.J.		S.Y.



- △ HOUSING MATERIAL: THERMOPLASTIC.
- △ CONTACT MATERIAL: COPPER ALLOY.
- △ FINISH:
  - MATING AREA: MEETS THE PERFORMANCE REQUIREMENTS OF PRODUCT SPECIFICATION 108-9063; BASED ON TELCORDIA DR-1217-CORE APPLICATIONS IN UNCONTROLLED ENVIRONMENTS.
- △ ACTION PIN POSTS REQUIRE 2.36 [.093] MIN THICK P.C. BOARD. RECOMMENDED P.C. BOARD HOLES ARE Ø1.151 [.0453] PLATED THRU WITH 0.025-0.076 [.001-.003] COPPER, WITH 0.0076 [.0003] MIN TIN-LEAD PLATING; FINISHED HOLE AFTER PLATING Ø0.94-1.09 [.037-.043].



RECOMMENDED P. C. BOARD LAYOUT

598051-1  
PART NUMBER

THIS DRAWING IS A CONTROLLED DOCUMENT.		DIN J. POLIGNONE D44PROB	TE Connectivity
DIMENSIONS: mm [INCHES]		CHK A. SHARPE D44PROB	
TOLERANCES UNLESS OTHERWISE SPECIFIED:		APVD A. SHARPE D44PROB	NAME
0 PLC ± -			ASSEMBLY, PIN, VERTICAL, HDI, 3 ROW, 96 POSITION, 18.62[.733] ACTION PIN POSTS WITH STABILIZERS
1 PLC ± -			PRODUCT SPEC
2 PLC ± -			APPLICATION SPEC
3 PLC ± 0.13 [.005]			SIZE CAGE CODE DRAWING NO
4 PLC ± -			A1 00779 C=598051
ANGLES ± -			RESTRICTED TO
MATERIAL △△	FINISH △	WEIGHT -	CUSTOMER DRAWING
		SCALE 4:1	SHEET 1 OF 1 REV B1

单击下面可查看定价，库存，交付和生命周期等信息

[>>TE Connectivity\(泰科\)](#)