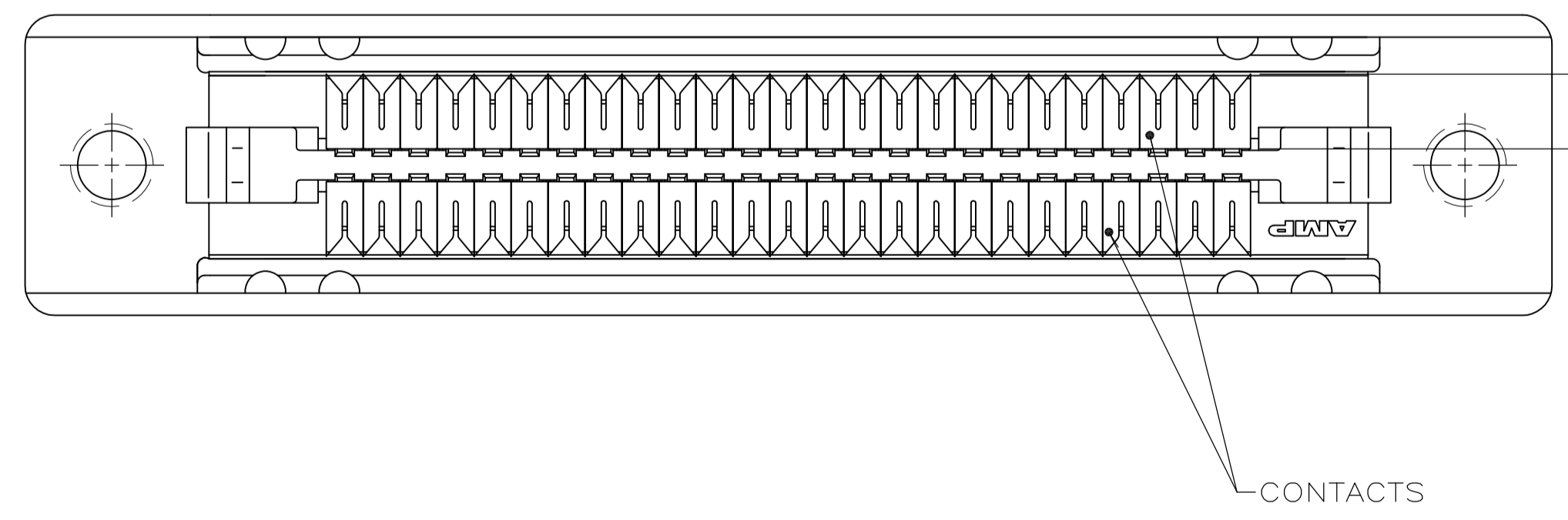
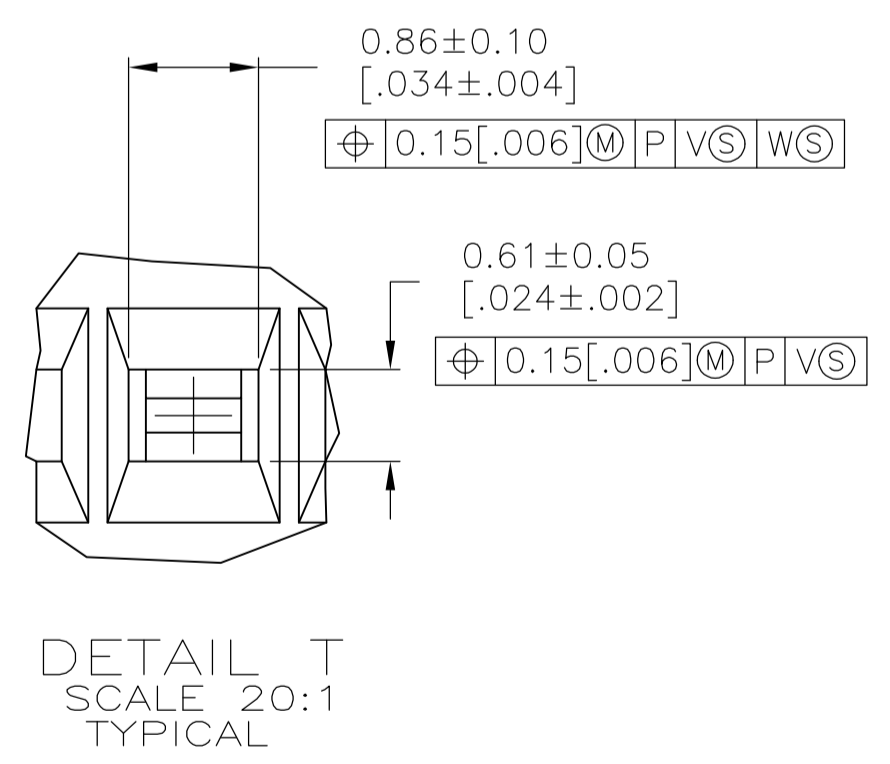
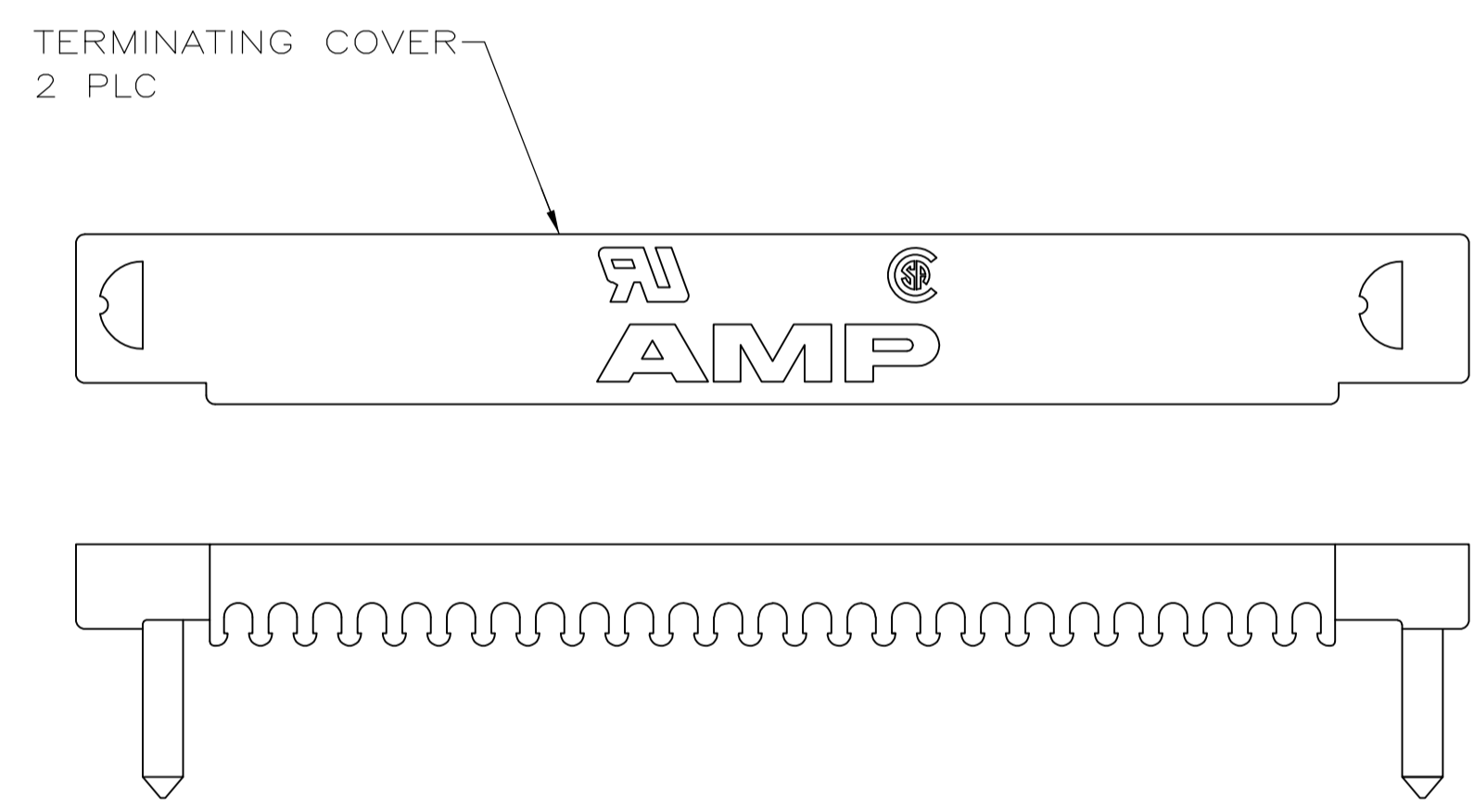
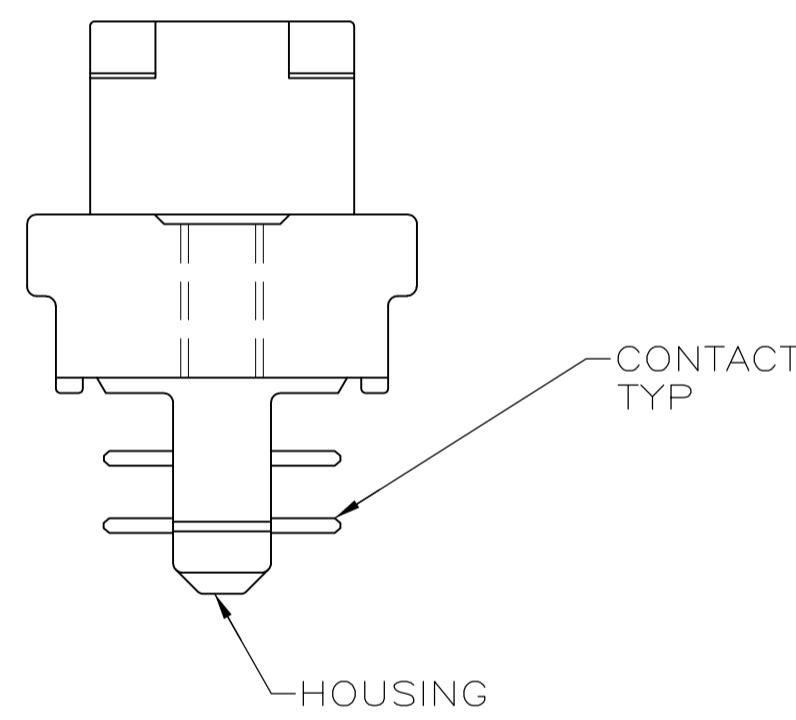
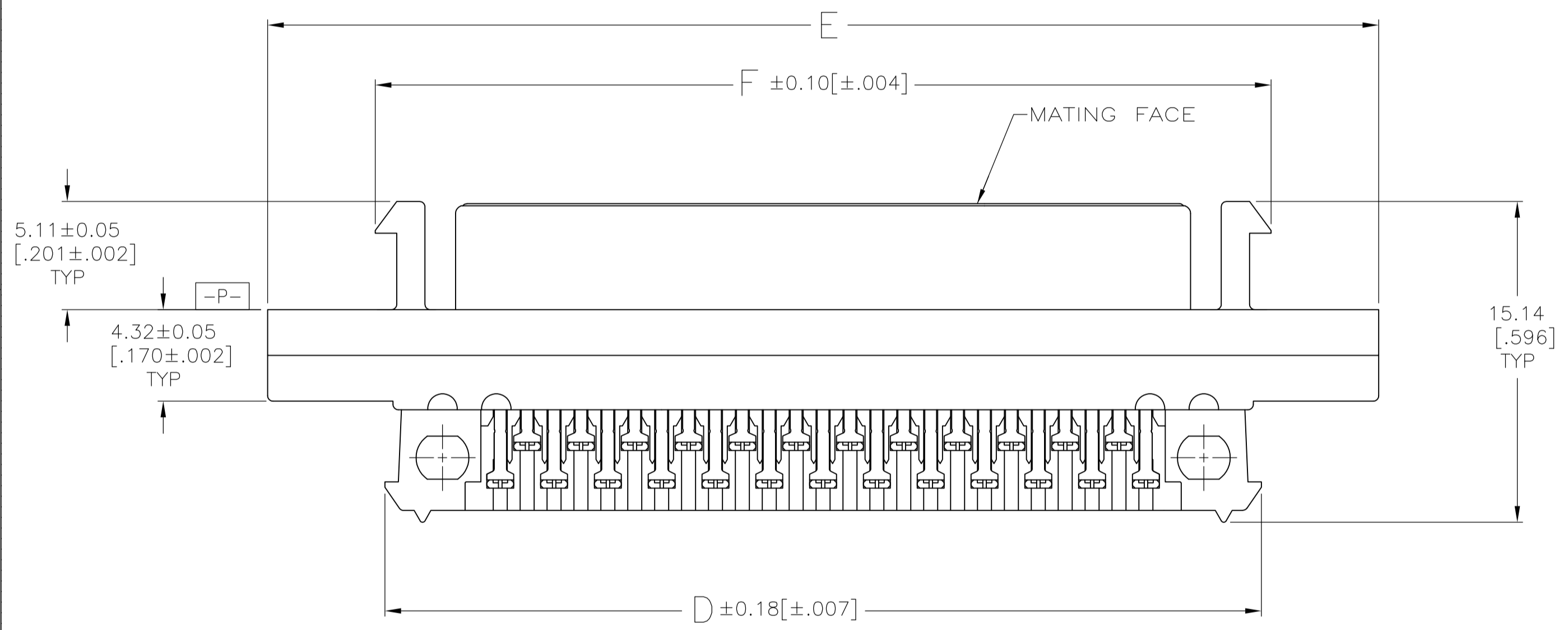


- 1 CONTACTS: PHOSPHOR BRONZE.
SHELL: CARBON STEEL.
HOUSING: POLYESTER, BLACK, UL 94V-0 RATED.
TERMINATING COVERS: POLYESTER, UL 94V-0 RATED, COLOR: SEE TABLE.
BRACKET: ZINC.
- 2 FINISH—
SHELL: 5.08µm [.000200] MIN NICKEL OVER 1.27µm [.000050] MIN COPPER.
BRACKET: 5.08µm [.000200] MIN NICKEL OVER 7.62µm [.000300] MIN COPPER.
CONTACTS: SEE TABLE.
- 3 EITHER 0.76µm [.000030] MIN GOLD PLATE OR GOLD FLASH OVER PALLADIUM NICKEL PLATE,
0.76µm [.000030] MIN TOTAL FOR A LENGTH OF 0.64 [.025] MIN, 0.13 [.005] MAX FROM
MATING END, 1.27µm [.000050] MIN TIN-LEAD IN TERMINATION AREA, ALL OVER 1.27µm
[.000050] MIN NICKEL.
- 4 EITHER 0.76µm [.000030] MIN GOLD PLATE OR GOLD FLASH OVER PALLADIUM NICKEL PLATE,
0.76µm [.000030] MIN TOTAL FOR A LENGTH OF 0.64 [.025] MIN, 0.13 [.005] MAX FROM
MATING END, 1.27µm [.000050] MIN MATTE TIN IN TERMINATION AREA, ALL OVER 1.27µm
[.000050] MIN NICKEL.
- 5 RECOMMENDED WIRE: 28 AWG OR 30 AWG, SOLID OR 7 STRAND, PVC INSULATION, REFER TO
TABLE BELOW FOR INSULATION DIA.
6. COVERS PACKAGED SEPARATE FROM CONNECTORS IN SAME SHIPPING CONTAINER.
- 7 OBSOLETE PART NUMBER.
- 8 ROHS 2002/95/EC COMPLIANT
- 9 OBSOLETE PARTS: OBSOLETE CIS STREAMLINING PER D.RENAUD/D.SINISI



9/8	OBSOLETE	4	BLACK	0.81-0.91 DIA [.032-.036]	15.24 [.600]	42.29 [1.665]	52.45 [2.065]	41.38 [1.629]	46.48 [1.830]	34.70 [1.366]	30.48 [1.200]	50	5-786865-5	
	OBSOLETE	3	GRAY	0.74-0.79 DIA [.029-.031]	15.24 [.600]	42.29 [1.665]	52.45 [2.065]	41.38 [1.629]	46.48 [1.830]	34.70 [1.366]	30.48 [1.200]	50	1-786865-5	
		3	BLACK	0.81-0.91 DIA [.032-.036]	15.24 [.600]	42.29 [1.665]	52.45 [2.065]	41.38 [1.629]	46.48 [1.830]	34.70 [1.366]	30.48 [1.200]	50	786865-5	
	FINISH		TERMINATING COVERS COLOR	INSULATION OUTER DIA	5	G	F	E	D	C	B	A	NO OF POSN	PART NUMBER

THIS DRAWING IS A CONTROLLED DOCUMENT.

DIMENSIONS: mm [INCHES]	TOLERANCES UNLESS OTHERWISE SPECIFIED:	DIN C. OBERMAN 04/30/93	Tyco Electronics Corporation Harrisburg, PA 17105-3608
0 PLC ± -	1 PLC ± -	21SEP2007	
2 PLC ± 0.13 [.005]	3 PLC ± -	J. OLSON	RECEPTACLE KIT, UNASSEMBLED, PANEL MOUNT, W/ WIRE TERMINATING COVER, W/ LATCH BLOCK.
4 PLC ± -	ANGLES ± -	APVD J. OLSON 21SEP2007	108-1228
		PRODUCT SPEC	114-40029
		APPLICATION SPEC	SIZE CAGE CODE DRAWING NO
		WEIGHT	A1 00779 C=786865
		CUSTOMER DRAWING	SCALE 5:1 SHEET 1 OF 1 REV J

单击下面可查看定价，库存，交付和生命周期等信息

[>>TE Connectivity\(泰科\)](#)