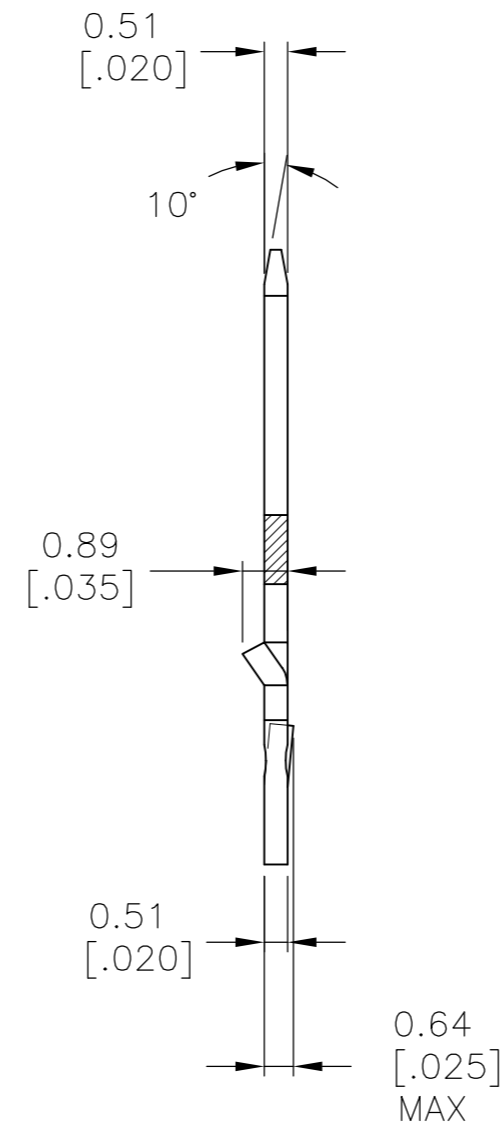
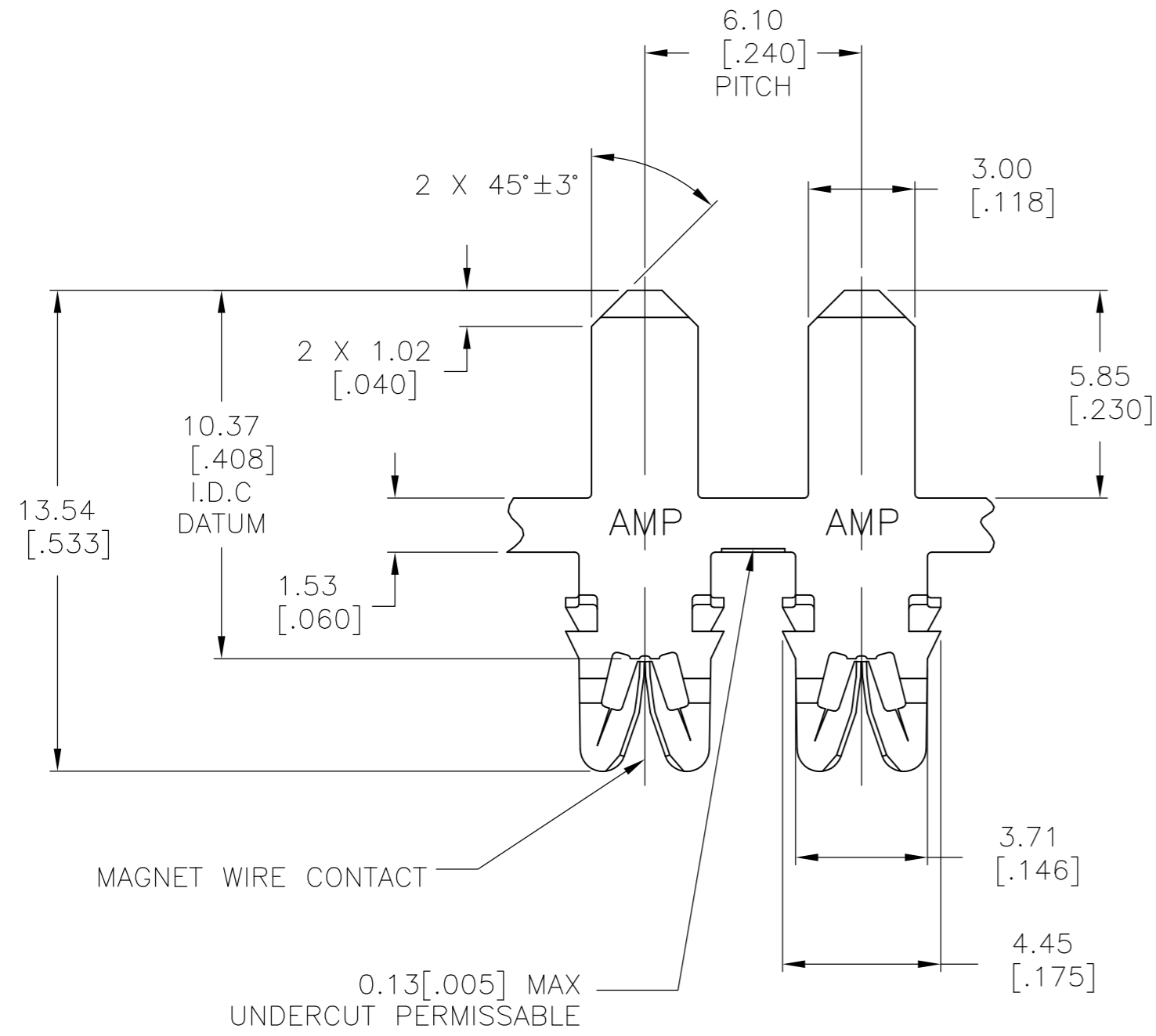
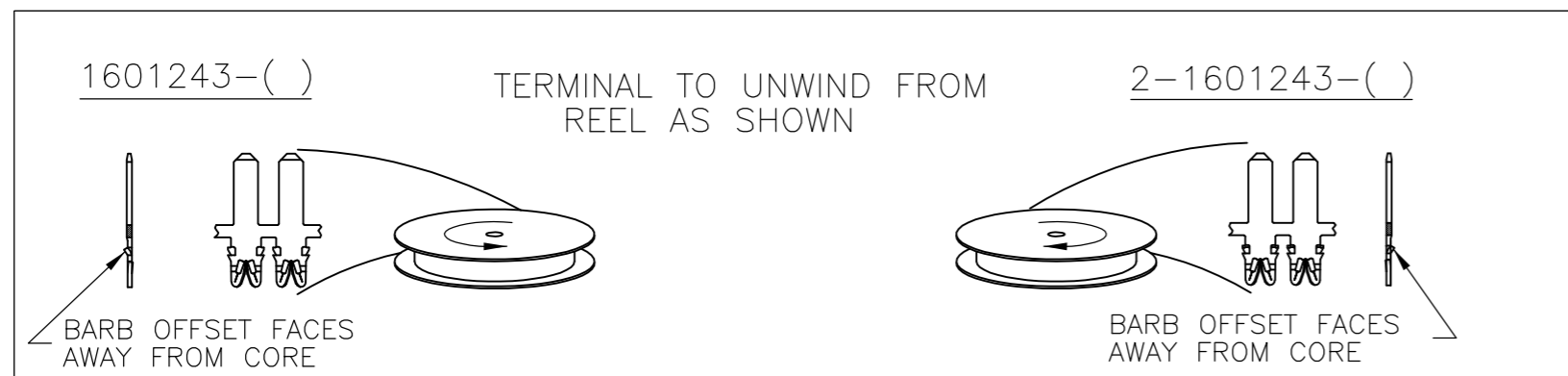
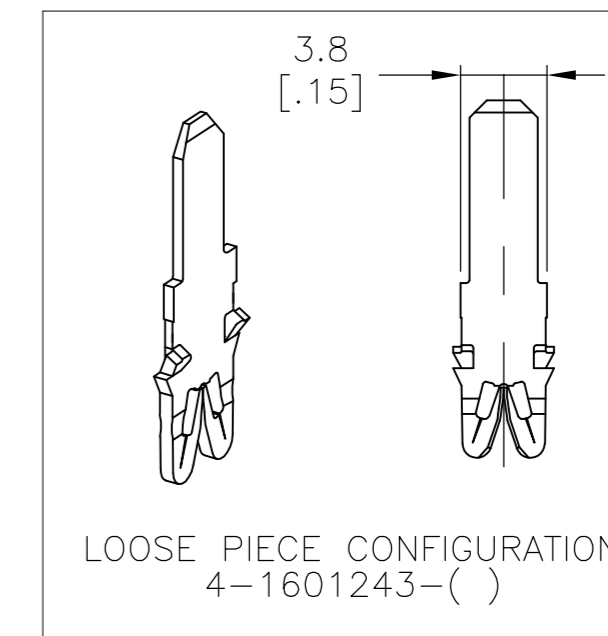


THIS DRAWING IS UNPUBLISHED. RELEASED FOR PUBLICATION
 © COPYRIGHT - By - ALL RIGHTS RESERVED.

LOC	DIST	REVISIONS			
P	LTR	DESCRIPTION	DATE	DWN	APVD
AF	50				
		A4 REVISED PER ECR-15-011053	07AUG2015	GRZ	JL



- 1 SPECIFICATIONS: MAGNET WIRE #18 - #34 AWG .006"(0.16mm) - .040"(1.02mm) DIA COPPER.
- 2 POCKET RECOMMENDATION: FOR POCKET DESIGN SEE #1601475
- 3 TERMINAL APPLICATION TO COMPLY WITH TYCO ELECTRONICS SPECIFICATION 114-13166 FIGURE 12.
- 4 TWO TERMINALS SHOWN FOR ILLUSTRATION PURPOSES ONLY.



	POST TIN PLATED	4-1601243-2
	POST TIN PLATED	2-1601243-2
OBSOLETE	POST TIN PLATED	1601243-2
	FINISH	PART NUMBER

THIS DRAWING IS A CONTROLLED DOCUMENT.		DWN RAGHAVENDRA 03SEP2007	STE TE Connectivity	
DIMENSIONS: mm [INCHES]		CHK G JACONO 03SEP2007		
TOLERANCES UNLESS OTHERWISE SPECIFIED:		APVD G JACONO 03SEP2007	NAME	
0 PLC ± -		PRODUCT SPEC	STANDARD RANGE WIRE TO .118 X .020 MULTI-BARB SIAMEZE TERMINAL	
1 PLC ± 0.25 [.010]		APPLICATION SPEC	108-2085	
2 PLC ± 0.13 [.005]			SIZE A2 CAGE CODE 00779 DRAWING NO C=1601243	
3 PLC ± -			RESTRICTED TO	
4 PLC ± -			SCALE 6:1 SHEET 1 OF 1 REV A4	
ANGLES ± -				
FINISH SEE TABLE		WEIGHT -		
MATERIAL BRASS, H04		CUSTOMER DRAWING		

单击下面可查看定价，库存，交付和生命周期等信息

[>>TE Connectivity\(泰科\)](#)