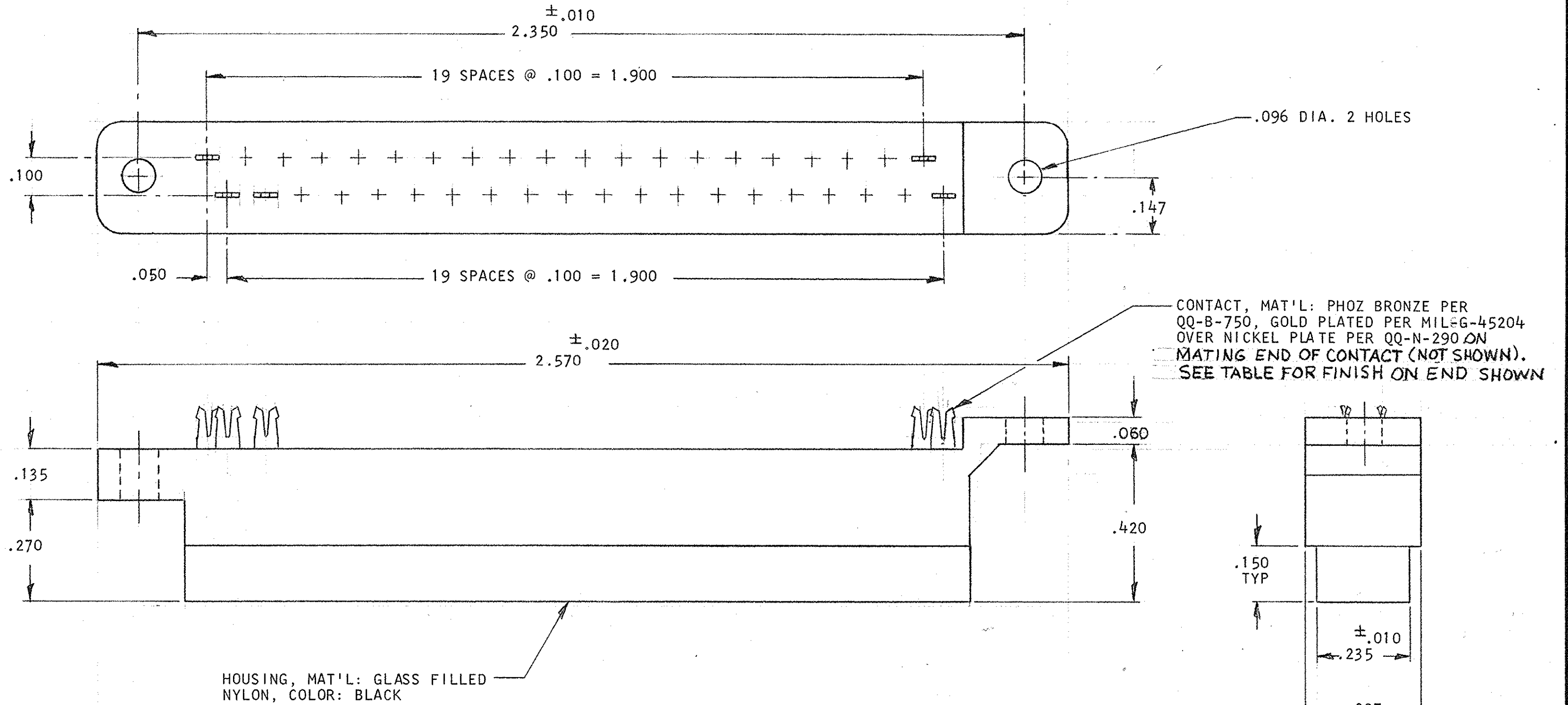


© COPYRIGHT 1980 BY AMP INCORPORATED, HARRISBURG, PA.
 ALL INTERNATIONAL RIGHTS RESERVED. AMP INCORPORATED PRODUCTS
 COVERED BY U. S. AND FOREIGN PATENTS AND/OR PATENTS PENDING.

REVISIONS						
P	F	ZONE	LTR	DESCRIPTION	DATE	APPROVED
✓	✓		O	RELEASED WAS 5088-220	9-25-80	AS
			A	REVISED PER OH4-0139-05	1-26-06	Py RG

1. COVER INCLUDED



5-208498-1	MATTE TIN PLATE
208498-1	BRIGHT TIN-LEAD PLATE
PART NO	FINISH FOR INSULATION DISPLACEMENT END OF CONTACT
UNLESS OTHERWISE SPECIFIED DIMENSIONS ARE IN INCHES. TOLERANCES ON: DECIMALS ±.005 ANGLES ± #	CONTRACT NO
MATERIAL SEE CALLOUT	DR <i>Steve Smith</i> 9/25/80 CHK <i>E. Emanuel</i> 9-25-80 APPD <i>Steve Smith</i> 9/25/80 APPD <i>William B. Long</i> 9/25/80
FINISH SEE CALLOUT	DSGN APPD OTHER APPD
AMP AMP INCORPORATED Harrisburg, Pa.	
NAME PIN BLOCK, 40 POS., ZERO ENTRY (FOR RIBBON CABLE) AND COVER	
SIZE C	CODE IDENT NO 00779
DRAWING NO 208498	
SCALE #	SHEET 1 OF 1

208498

单击下面可查看定价，库存，交付和生命周期等信息

[>>TE Connectivity\(泰科\)](#)