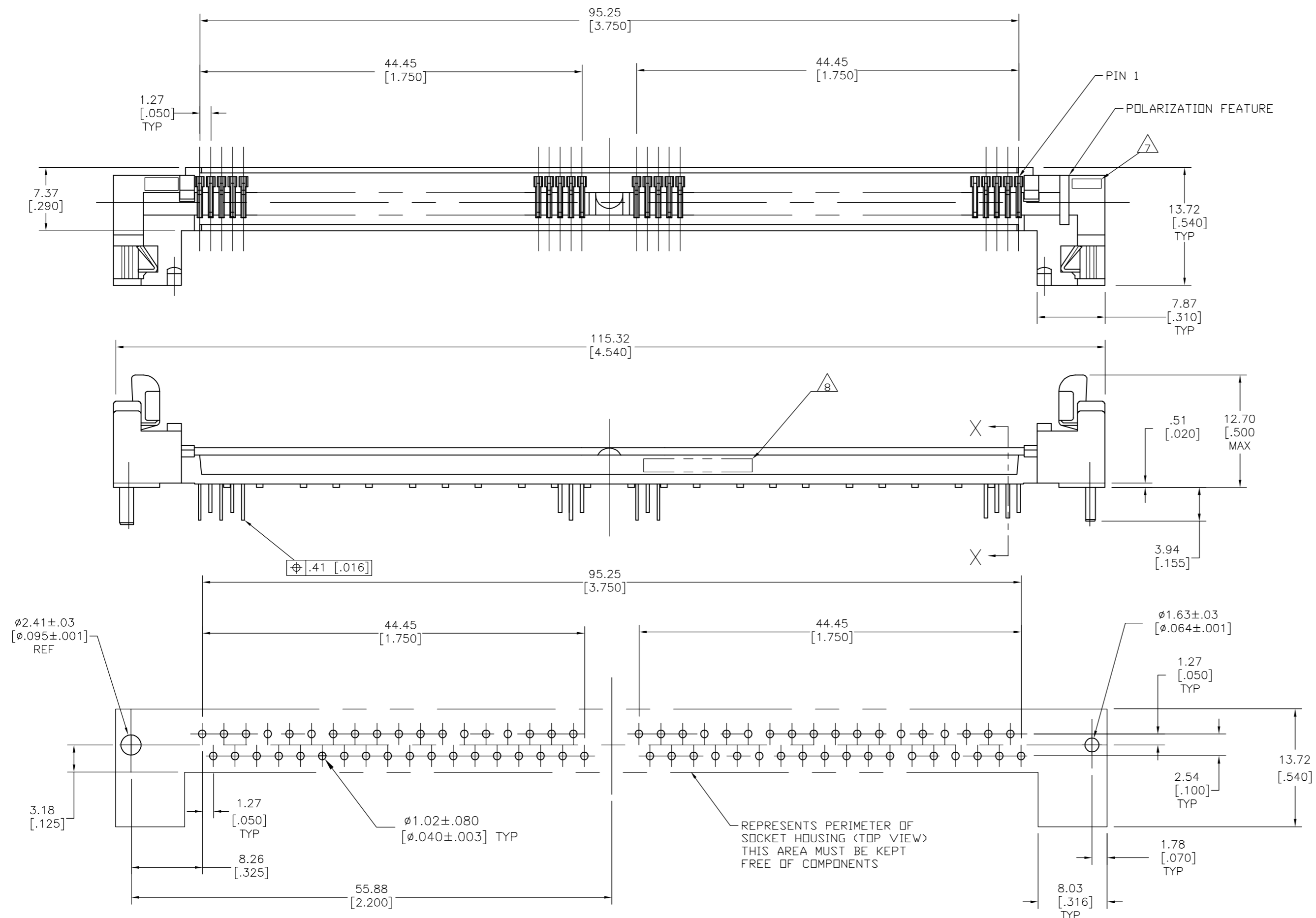
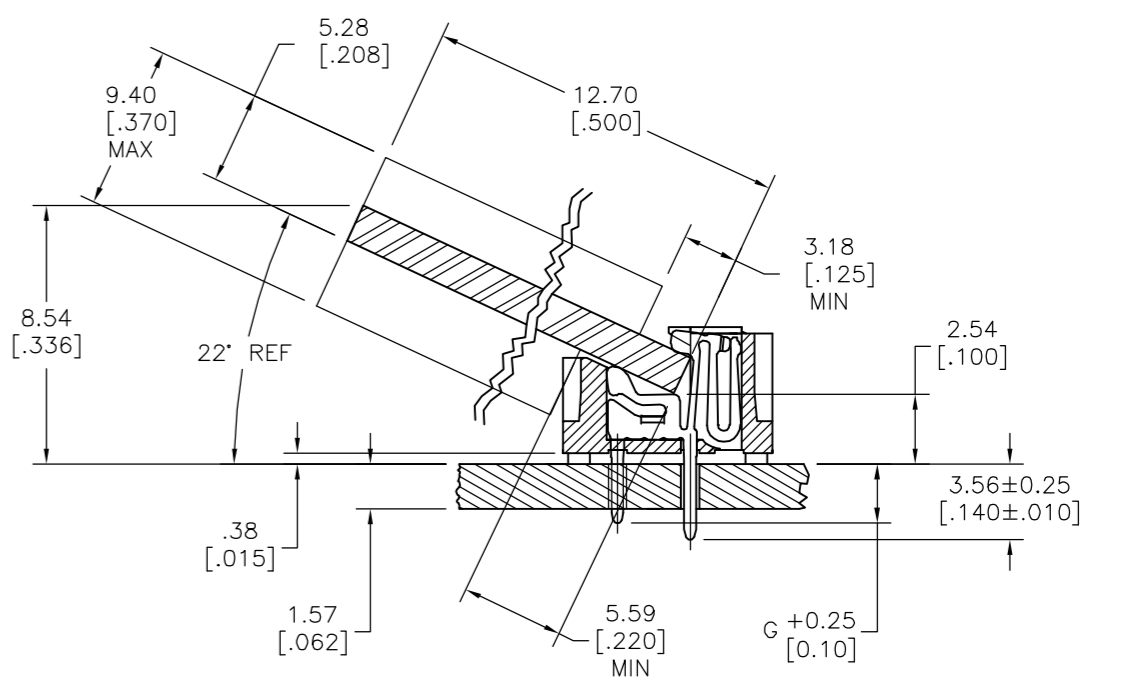
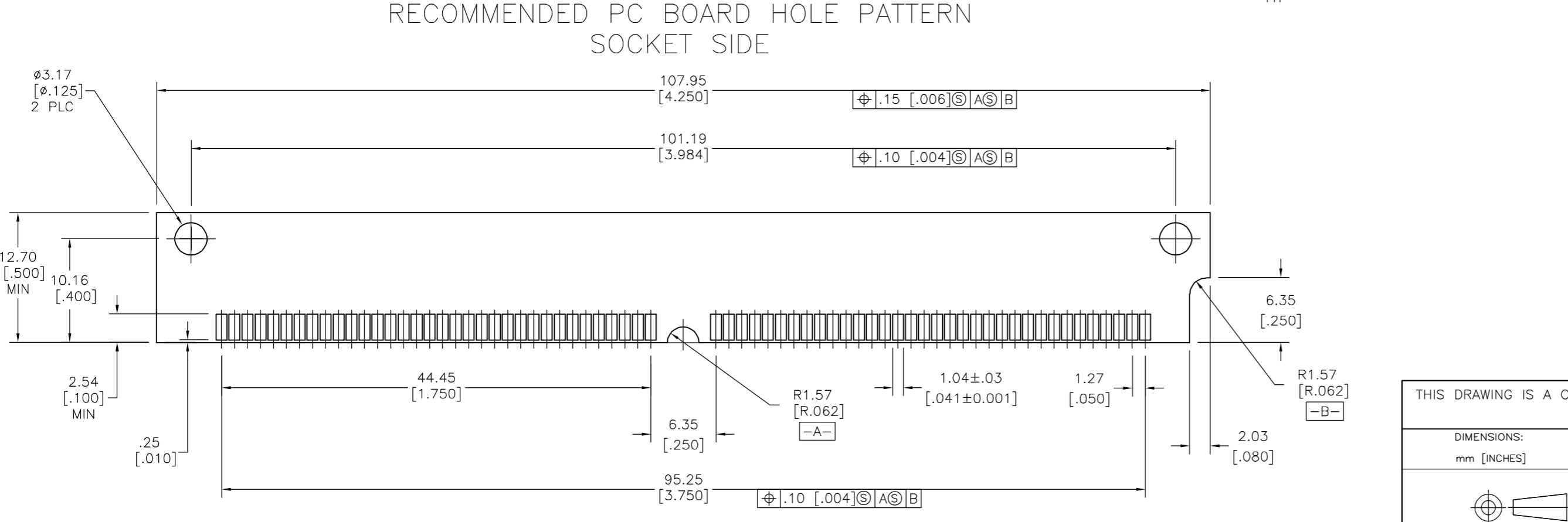


LOC	DIST	REVISIONS			
P	LTR	DESCRIPTION	DATE	DWN	APVD
GP	00	B	REVISED PER ECO-06-007841	19JUL06	JDP MB



- △ HOUSING MATERIAL: LIQUID CRYSTAL POLYMER.
- △ CONTACT MATERIAL: PHOS. BRONZE.
- △ LATCH MATERIAL: STAINLESS STEEL.
- △ CONTACT PLATE: .00508 [.000200] MIN MATTE TIN OVER .00127 [.000050] MIN NICKEL.
- 5. IN ADDITION TO THOSE RECOMMENDED "SIMM" PC BOARD DIMENSIONS AND TOLERANCES SHOWN, ALL JEDEC SPECIFICATIONS APPLY AS SHOWN ON MO-116, ISSUE A.
- 6. RECOMMENDED MATING SIMM TAB METALLURGY: .00762 [.000300] MIN TIN/LEAD OVER .00127 [.000050] MIN NICKEL.
- △ "S" IDENTIFICATION SHALL BE LOCATED IN APPROX LOCATION SHOWN.
- △ DATE CODE INFORMATION (YEAR WEEK), LOCATED APPROXIMATELY AS SHOWN ON OPPOSITE SIDE.



3.56 [.140]	72	5822330-4
2.92 [.115]	72	5822330-3
G ± 0.25 [.010]	NO. OF POSNS	PART NUMBER

THIS DRAWING IS A CONTROLLED DOCUMENT.		DWN B.MCMMASTER 06JAN05		Tyco Electronics Corporation Harrisburg, PA 17105-3608	
DIMENSIONS: mm [INCHES]		CHK M.YEOMANS 06JAN05		NAME	CONNECTOR, MICRO-EDGE, .050 LP, TIN PL, W/ METAL LATCH
TOLERANCES UNLESS OTHERWISE SPECIFIED:		APVD M.YEOMANS 06JAN05	PRODUCT SPEC		SIZE
0 PLC ± -		PRODUCT SPEC		APPLICATION SPEC	DRAWING NO
1 PLC ± -		APPLICATION SPEC	WEIGHT		A2
2 PLC ± -		WEIGHT		SCALE	C=5822330
3 PLC ± .13 [.005]		SCALE	CUSTOMER DRAWING		4:1
4 PLC ± -		CUSTOMER DRAWING		REV	B
ANGLES ± -		FINISH			
1 2 3					
3 4					

单击下面可查看定价，库存，交付和生命周期等信息

[>>TE Connectivity\(泰科\)](#)