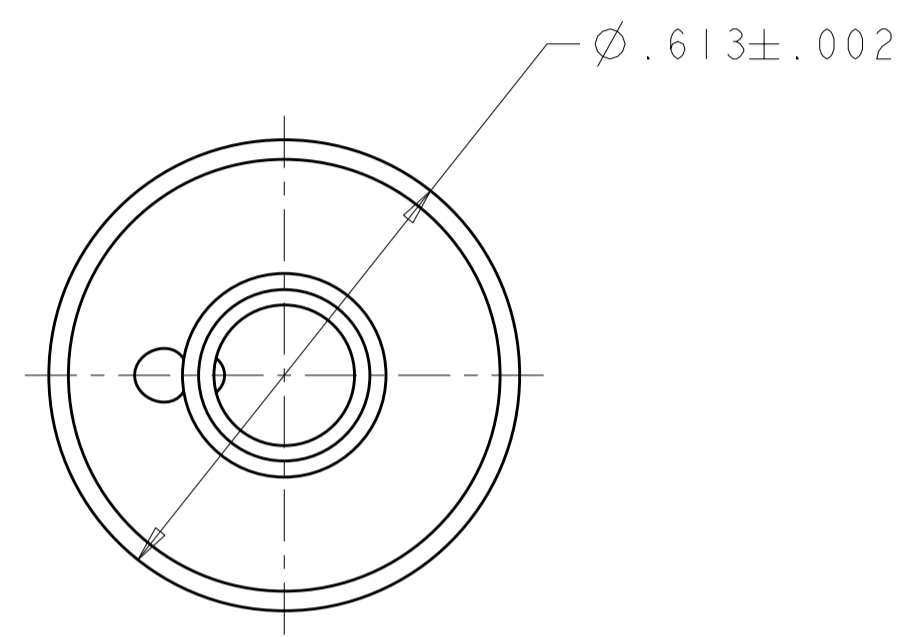
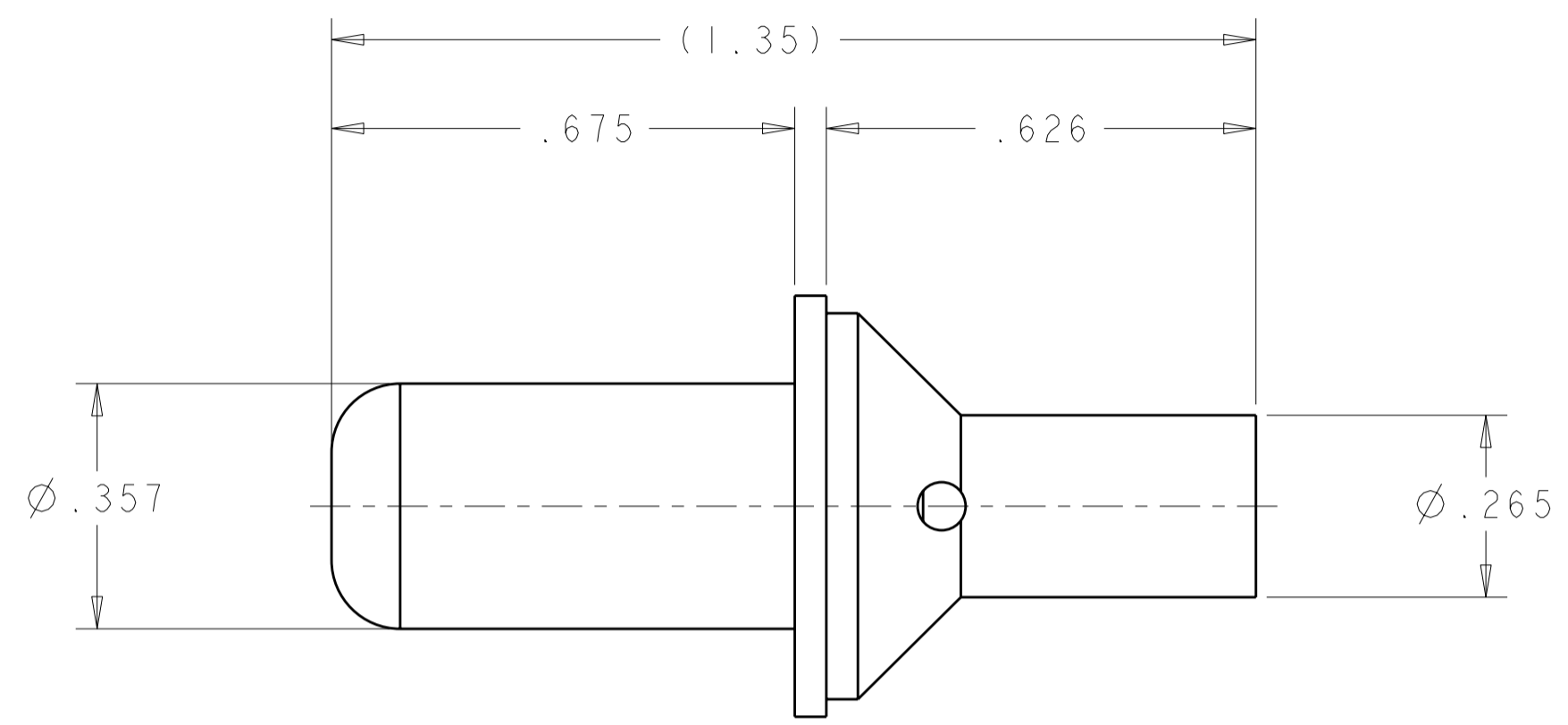


THIS DRAWING IS UNPUBLISHED. RELEASED FOR PUBLICATION 20
 © COPYRIGHT 20 BY TYCO ELECTRONICS CORPORATION. ALL RIGHTS RESERVED.

| LOC | DIST | REVISIONS | | | | | |
|-----|------|-----------|-----|-------------|-----------|-----|------|
| GP | 00 | P | LTR | DESCRIPTION | DATE | DWN | APVD |
| | | | A | RELEASED | 19FEB2009 | RG | DO |
| | | | | | | | |
| | | | | | | | |



- PART NUMBER CHANGES AND/OR DESIGN CHANGES AFFECTING ITEM INTERCHANGEABILITY REQUIRES PRIOR TYCO ELECTRONICS APPROVAL AND AUTHORIZATION BY REVISION TO THIS DRAWING.
- MATERIAL:
BODY: COPPER ALLOY
- FINISH:
BODY: SILVER PLATE .000200 MIN THK.
OVER NICKEL .000040 MIN THK.
- ITEMS PROVIDED TO THIS SPECIFICATION TO BE PERMANENTLY IDENTIFIED ON THE CONTAINER PER THE FOLLOWING IDENTIFIER:

TYCO ELECTRONICS P/N: XXXXXXXX-X
 DATE CODE (eg. 0216): YEAR 1 WEEK 1
 XXXX

| | |
|-------------|-------------|
| AS SHOWN | 1766273-1 |
| DESCRIPTION | PART NUMBER |

| | | | |
|--|--|---|---|
| <small>THIS DRAWING IS A CONTROLLED DOCUMENT FOR TYCO ELECTRONICS CORPORATION. IT IS SUBJECT TO CHANGE AND THE CONTROLLING ENGINEERING ORGANIZATION SHOULD BE CONTACTED FOR THE LATEST REVISION.</small> | | DWN: R. GRZYBOWSKI 19FEB2009 CHK: D. ORRIS 19FEB2009 APVD: M. PERCHERKE 19FEB2009 | Tyco Electronics Harrisburg, PA 17105-3608 |
| DIMENSIONS: INCHES | TOLERANCES UNLESS OTHERWISE SPECIFIED: 0 PLC ± 1 PLC ± 2 PLC ±.01 3 PLC ±.005 4 PLC ± ANGLES ± FINISH | PRODUCT SPEC: - APPLICATION SPEC: - WEIGHT: - | NAME: PIN CONTACT, SIZE No.0 WITH No.8 AWG CRIMP BARREL DRAWER SIZE: A2 CAGE CODE: 00779 DRAWING NO: 1766273 RESTRICTED TO: - |
| MATERIAL: - | | FINISH: - CUSTOMER DRAWING | |
| | | SCALE: 4:1 | SHEET 1 OF 1 REV A |

单击下面可查看定价，库存，交付和生命周期等信息

[>>TE Connectivity\(泰科\)](#)