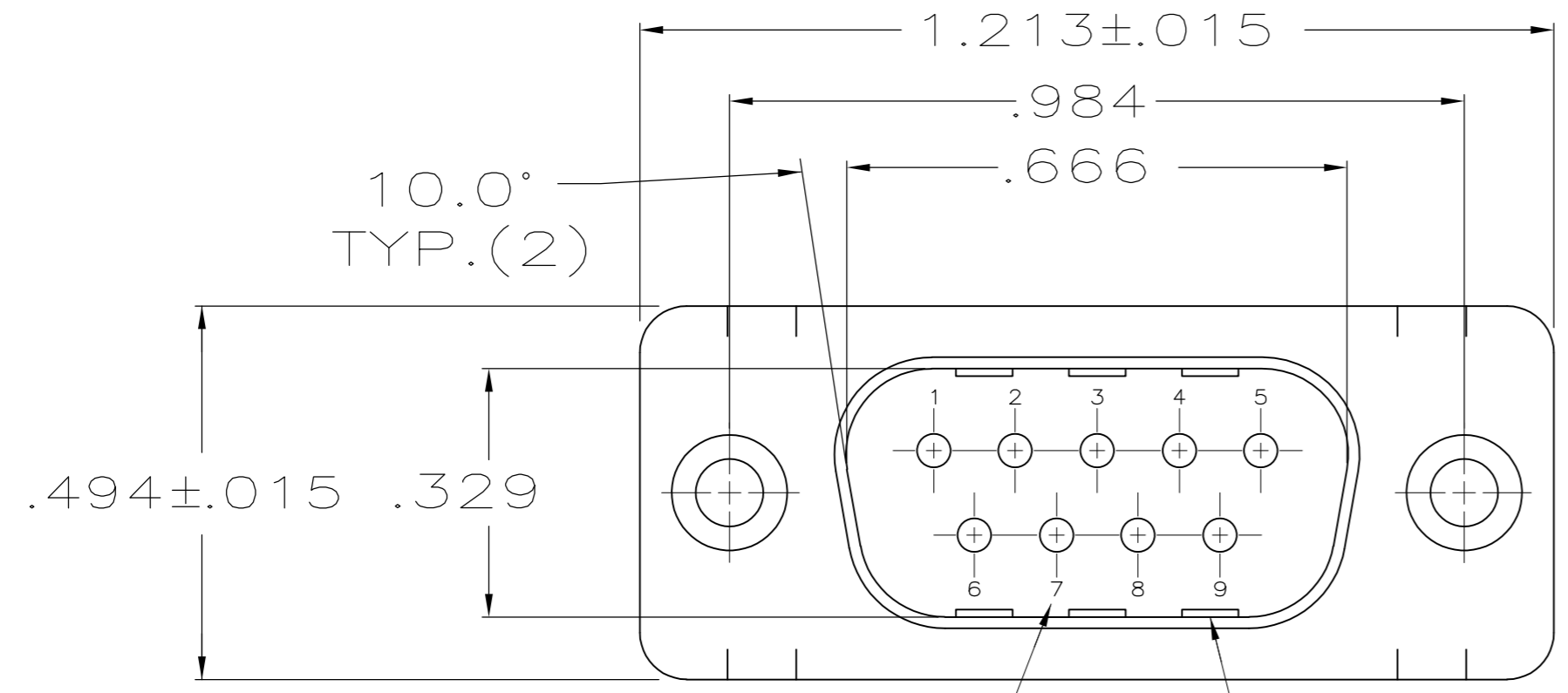


THIS DRAWING IS UNPUBLISHED. RELEASED FOR PUBLICATION
 © COPYRIGHT - By - ALL RIGHTS RESERVED.

LOC	DIST	REVISIONS					
GP	00	P	LTR	DESCRIPTION	DATE	DWN	APVD
		B1		REVISED PER ECO-11-004835	11MAR11	RK	HMR

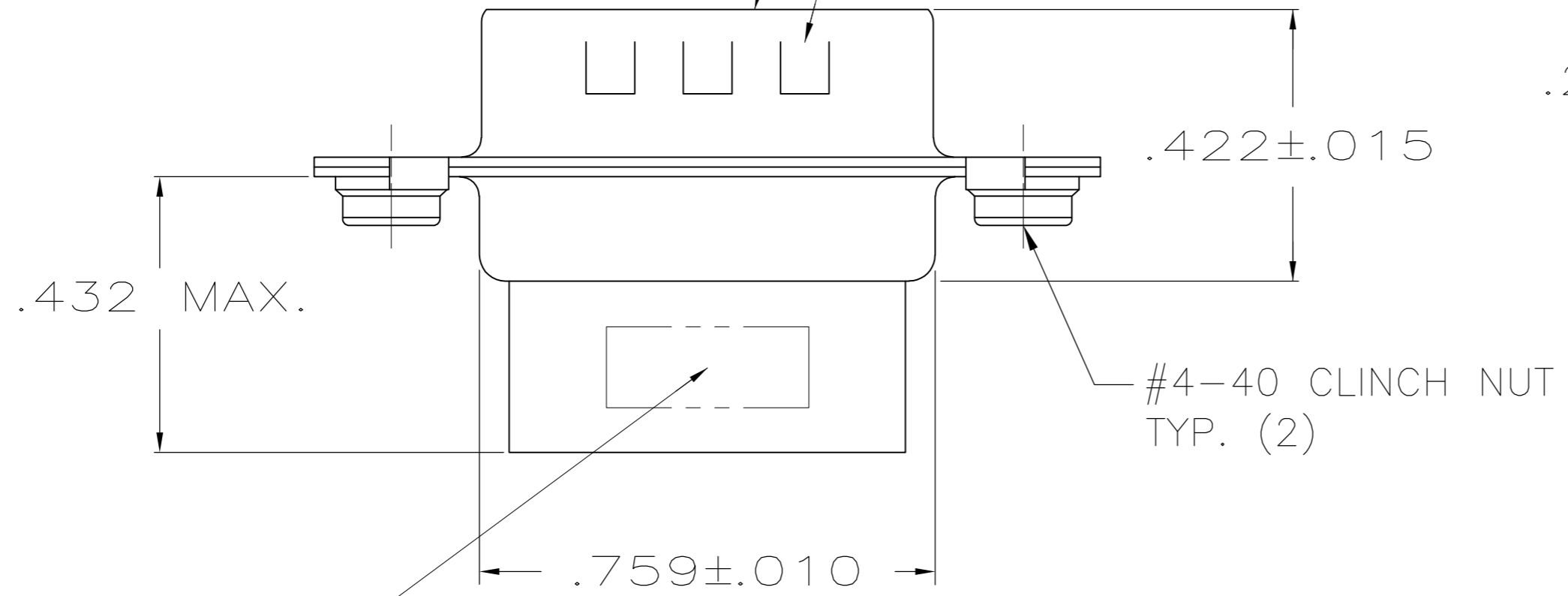


- CONNECTOR ACCEPTS SIZE 20 DF PIN CONTACTS, RETENTION TINES ARE AN INTEGRAL PART OF INSERT.
- MOLDED PARTS: FLAME RETARDANT 94V-0 RATED THERMOPLASTIC; COLOR: BLACK.
- SHELLS: STEEL PER ASTM A109.
- .000200 MIN TIN PLATE OVER .000100 MIN COPPER UNDERPLATE.

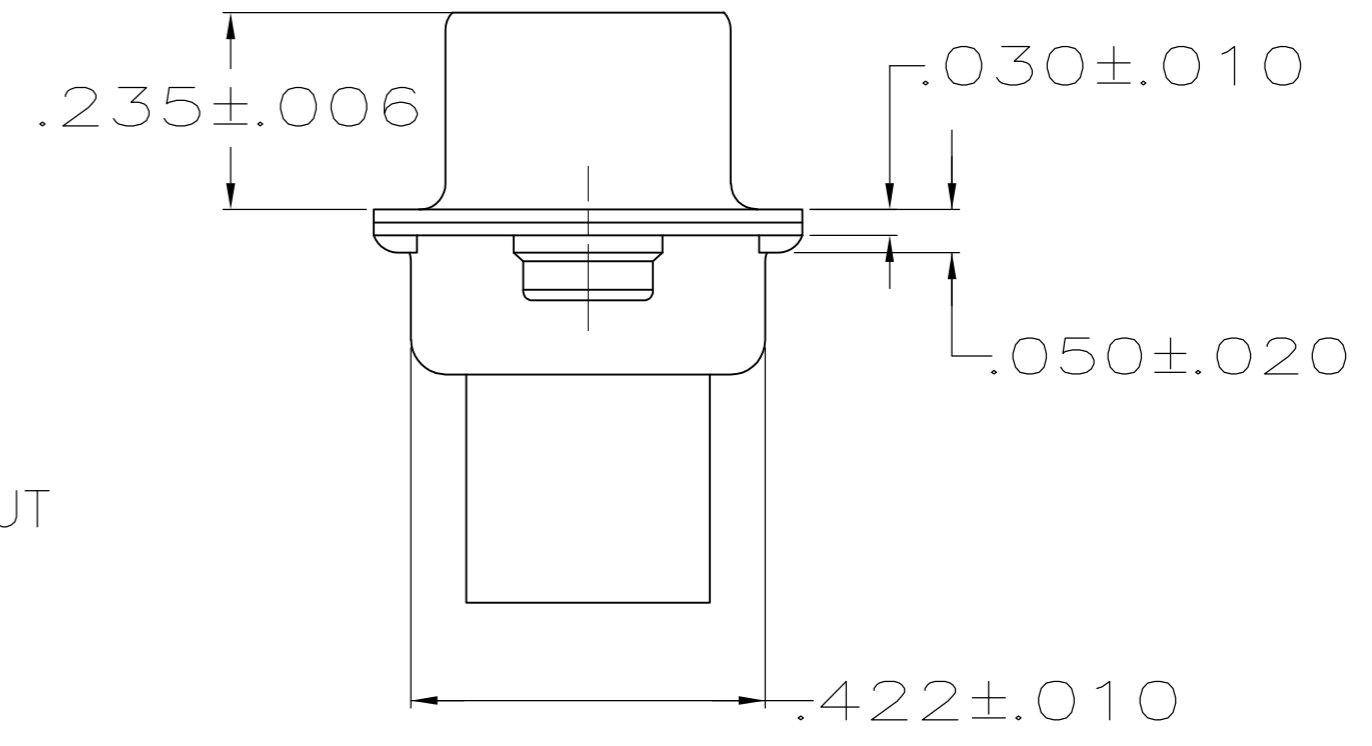
RAISED CAVITY IDENTIFICATION

GROUNDING INDENTS (SEE TABLE)

MATING FACE



MANUFACTURER'S LOGO, PART NO. & DATE CODE, MARKED IN AREA INDICATED, ON FAR SIDE



NO	1658642-2
YES	1658642-1
GROUNDING INDENTS	PART NUMBER

THIS DRAWING IS A CONTROLLED DOCUMENT.		DWN	L. VARELA - DOCK5	11-17-04	 TE Connectivity	
DIMENSIONS: INCHES		CHK	J. GERACE	11-17-04		
TOLERANCES UNLESS OTHERWISE SPECIFIED:		APVD	M. WALMSLEY	11-17-04		
0 PLC ± - 1 PLC ± - 2 PLC ± - 3 PLC ± .005 4 PLC ± - ANGLES ± 2°		PRODUCT SPEC	108-40005			
MATERIAL		APPLICATION SPEC	114-40030		SIZE	A2
FINISH		WEIGHT	-		CAGE CODE	00779
SHELLS: 4		CUSTOMER DRAWING	SCALE 4:1		DRAWING NO	C=1658642
			SHEET 1 of 1		RESTRICTED TO	-
			REV B1			

单击下面可查看定价，库存，交付和生命周期等信息

[>>TE Connectivity\(泰科\)](#)

[>>点击查看相关商品](#)