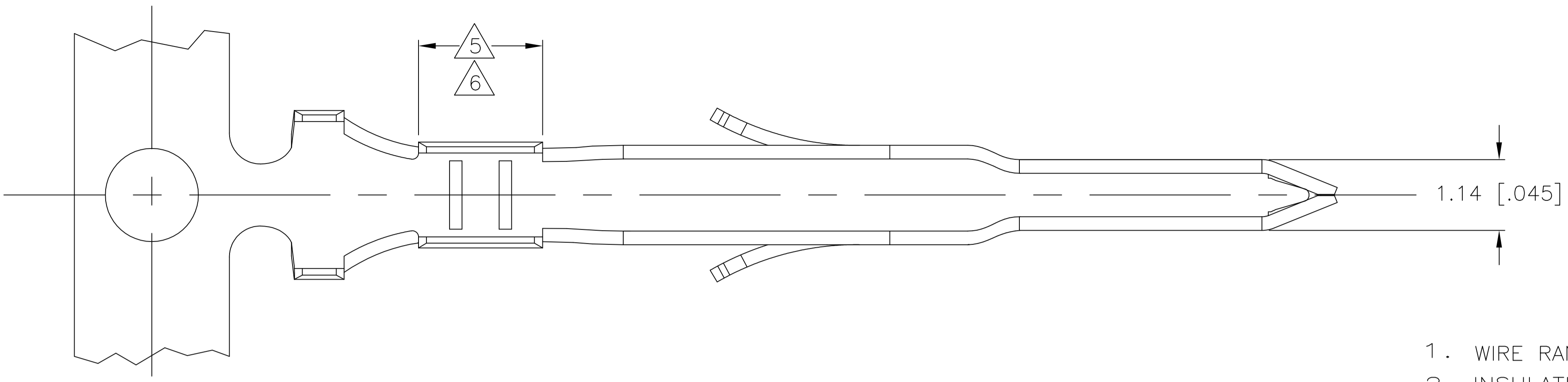
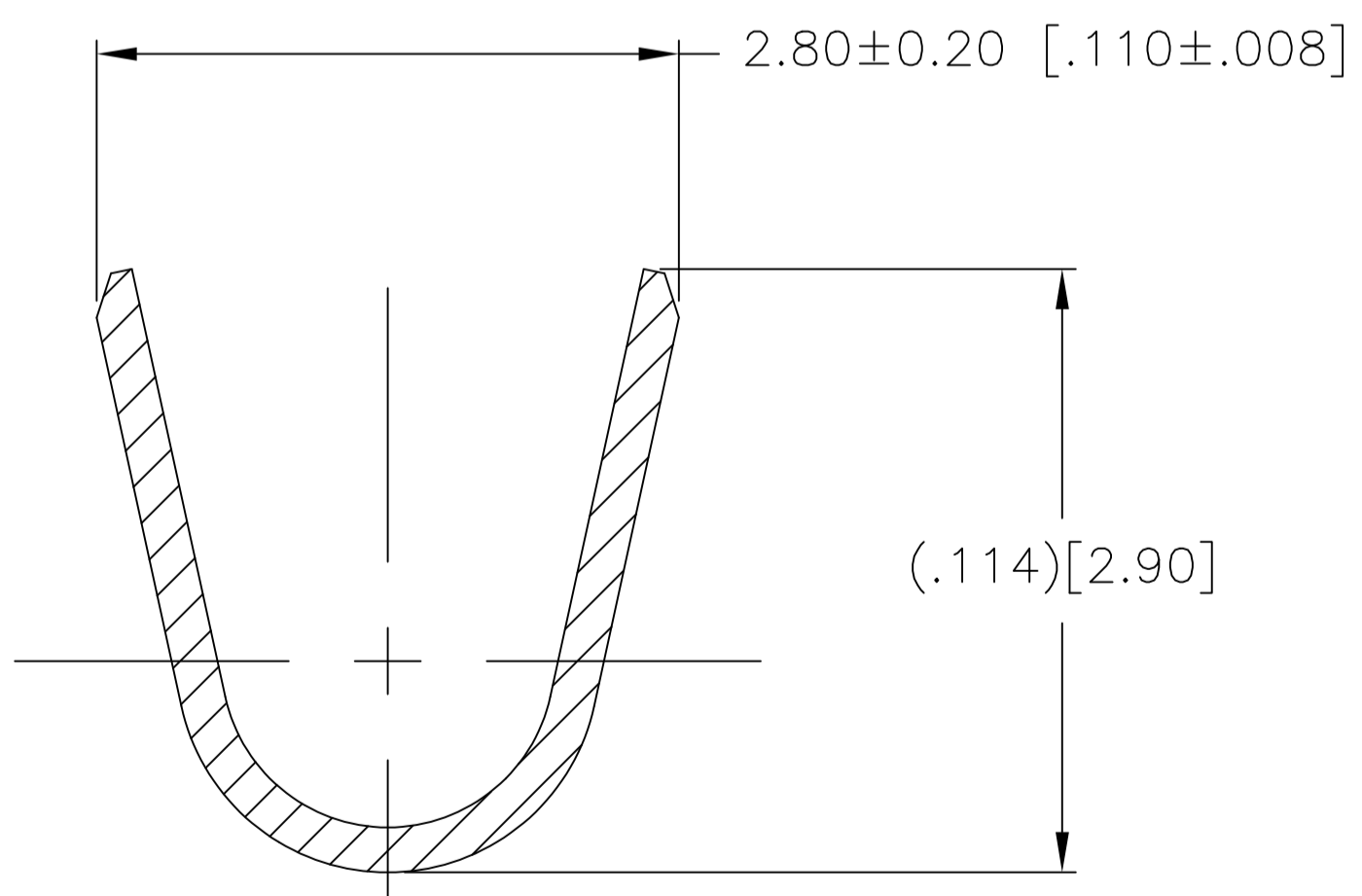
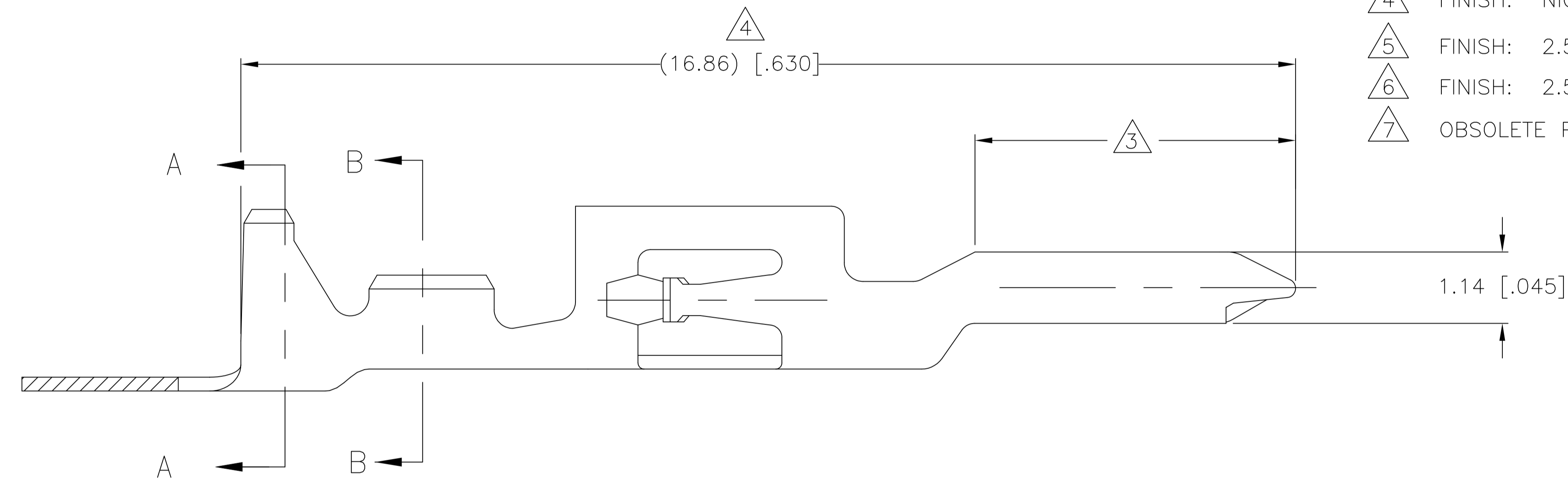


THIS DRAWING IS UNPUBLISHED. RELEASED FOR PUBLICATION
 © COPYRIGHT - TE Connectivity ALL RIGHTS RESERVED.

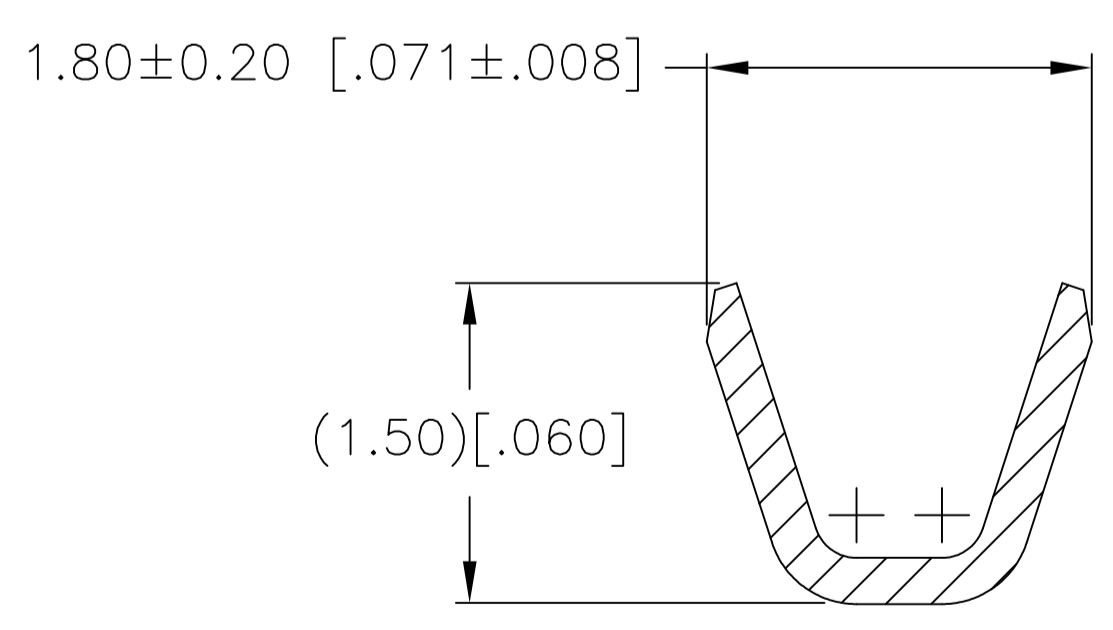
REVISIONS					
P	LTR	DESCRIPTION	DATE	DWN	APVD
F		REVISED PER ECO-18-013177	21AUG2018	TZ	DZ



- 1. WIRE RANGE: 0.12-0.35mm² (26-22 AWG).
- 2. INSULATION RANGE: 1.20-1.75 DIA.
- 3 FINISH: 0.76μm MINIMUM GOLD OVER 1.27μm MINIMUM NICKEL REQUIRED
- 4 FINISH: NICKEL BASE PLATE ON ALL SURFACES IN THIS AREA.
- 5 FINISH: 2.54μm MINIMUM TIN-LEAD ON ALL SURFACES IN THIS AREA.
- 6 FINISH: 2.54μm MINIMUM TIN ON ALL SURFACES IN THIS AREA.
- 7 OBSOLETE PARTS: OBSOLETE CIS STREAMLINING PER D.RENAUD/D.SINISI



SECTION A-A
SCALE 20:1



SECTION B-B
SCALE 20:1

FINISH	MATERIAL	PART NUMBER
3 4 6	0.22 [.009] PHOS BRONZE	794578-4
3 4 5	0.22 [.009] PHOS BRONZE	794578-2
PRE-TIN	0.22 [.009] PHOS BRONZE	794578-1

THIS DRAWING IS A CONTROLLED DOCUMENT.

DWN S. HAMM 18-FEB-2002		TE Connectivity		
CHK D. COLEY 18-FEB-2002		NAME		
APVD D. COLEY 18-FEB-2002		CONTACT, MALE, AMP-DUAC(TM) POWER CONNECTOR		
PRODUCT SPEC 108-1646 APPLICATION SPEC 114-6067		SIZE A2	CAGE CODE 00779	DRAWING NO C=794578
MATERIAL 0.22 [.009]PH BRZ	WEIGHT 0	RESTRICTED TO -	SCALE 14:1	
TOLERANCES UNLESS OTHERWISE SPECIFIED: 0 PLC ± 1 PLC ± 2 PLC ± 0.10 [.004] 3 PLC ± 4 PLC ± ANGLES ± FINISH SEE TABLE		SCALE 14:1	SHEET 1 of 1	REV F

单击下面可查看定价，库存，交付和生命周期等信息

[>>TE Connectivity\(泰科\)](#)