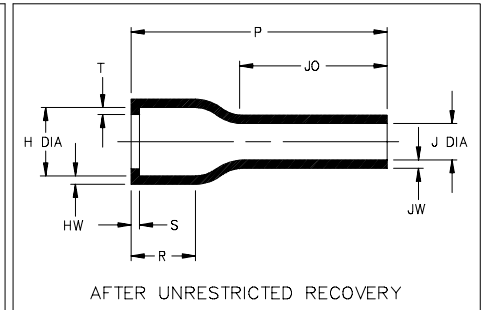
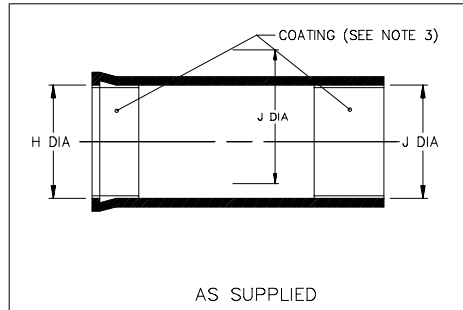


Thermofit[®] Molded Parts
 Specification Control Drawing
 Limited Distribution

Part Number : 202D211
 Description : Boot, Straight With Lip

NOTES

- All dimensions are in $\frac{\text{inches}}{\text{millimeters}}$
- Dimensions appearing in table are as follows:
 a - As Supplied
 b - After Unrestricted Recovery
- Coating is optional. As supplied dimensions appearing in table are for uncoated parts. When coating is added, entry diameters will be reduced by .06 max.



PART NUMBER	H		J		P	R	S	T	JO	HW	JW
	Min	Max	Min	Max	±10%	Ref	Ref	Ref	±10%	±20%	±20%
202D211-3-64	$\frac{.88}{[22,4]}$	$\frac{.45}{[11,4]}$	$\frac{.88}{[22,4]}$	$\frac{.25}{[6,4]}$	$\frac{3.50}{[88,9]}$	$\frac{.46}{[11,7]}$	$\frac{.12}{[3,0]}$	$\frac{.04}{[1,0]}$	$\frac{2.73}{[69,3]}$	$\frac{.06}{[1,5]}$	$\frac{.045}{[1,1]}$

**If this document is printed it becomes uncontrolled.
 Check for the latest revision.**

Raychem

RAYCHEM CORPORATION
 300 CONSTITUTION DRIVE
 MENLO PARK, CALIFORNIA 94025
 (415) 361-6055

Revision : A
 Date : 2/6/92

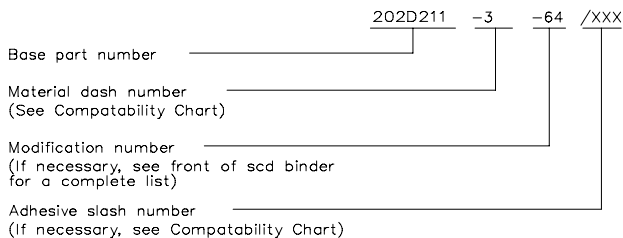
Part Number : 202D211-3-64
 Description : Boot, Straight With Lip

Thermofit[®] Molded Parts
 Specification Control Drawing
 Limited Distribution

Part Number : 202D211-3-64
 Description : Boot, Straight With Lip

MATERIAL DASH NO.	MATERIAL DESCRIPTION	RT SPEC	COATING SLASH NO.	COATING S NO.	COATING DESCRIPTION
-3	Polyolefin, Semi-rigid	RT-301	/180	S-1030	Adhesive

ORDERING INFORMATION



THIS DRAWING IS SUBJECT TO CHANGE WITHOUT NOTICE; CONSULT YOUR
 NEAREST FIELD REPRESENTATIVE FOR CURRENT REVISION

Raychem

RAYCHEM CORPORATION
 300 CONSTITUTION DRIVE
 MENLO PARK, CALIFORNIA 94025
 (415) 361-6055

Revision : A
 Date : 2/6/92

Part Number : 202D211-3-64
 Description : Boot, Straight With Lip

单击下面可查看定价，库存，交付和生命周期等信息

[>>TE Connectivity\(泰科\)](#)