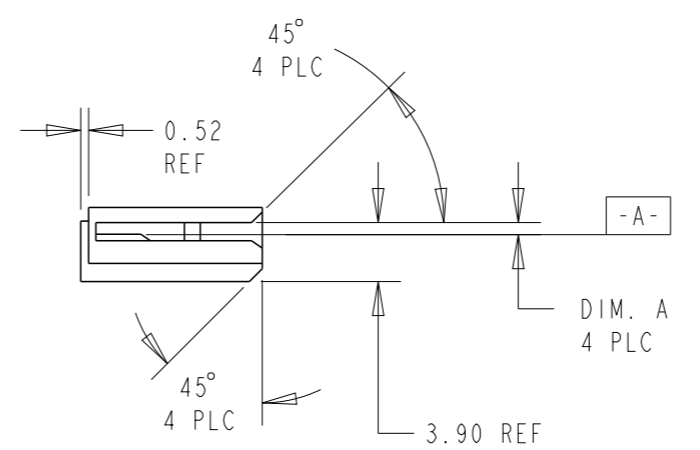
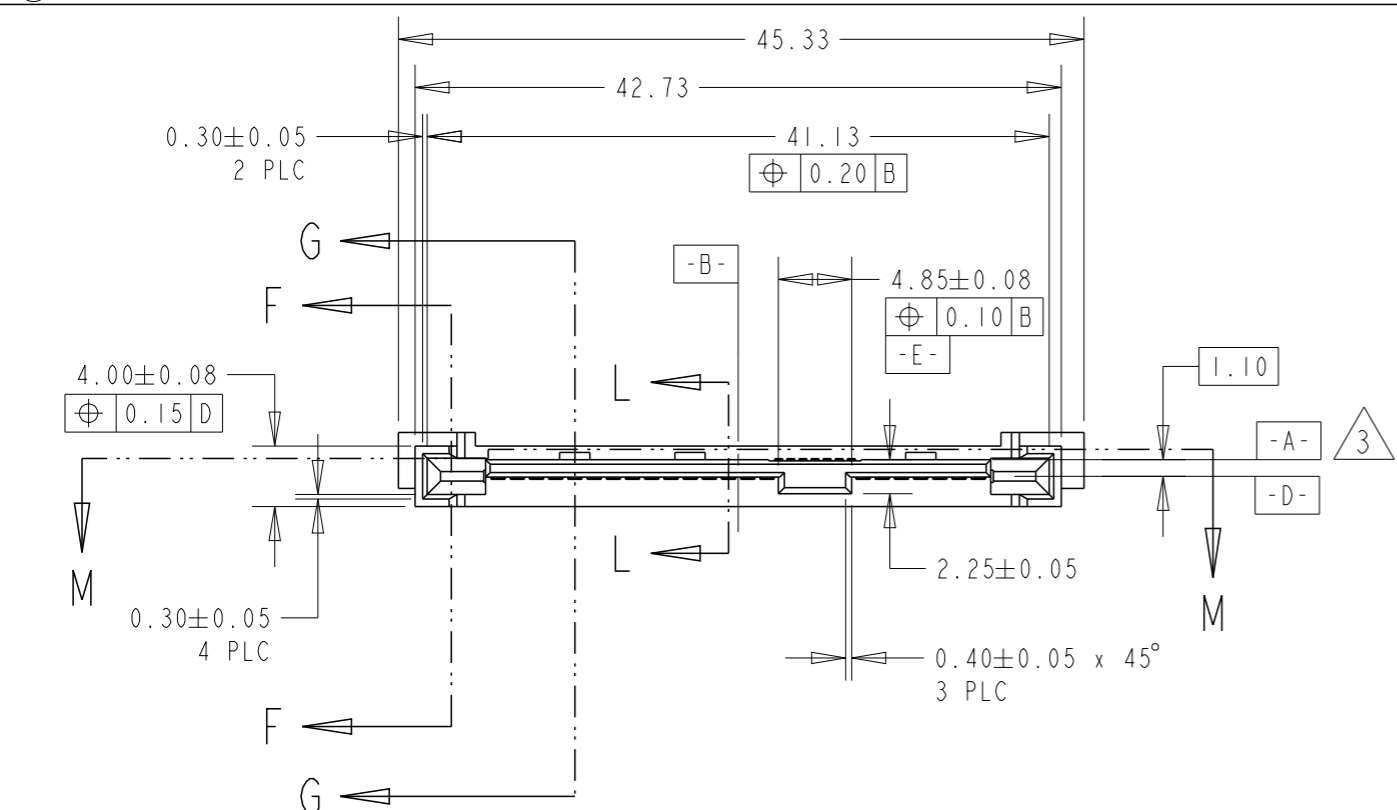
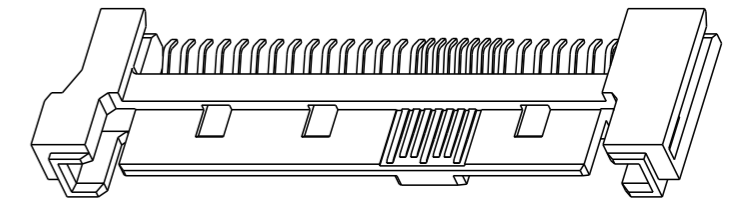


THIS DRAWING IS UNPUBLISHED. RELEASED FOR PUBLICATION 20
 © COPYRIGHT 20 BY - ALL RIGHTS RESERVED.

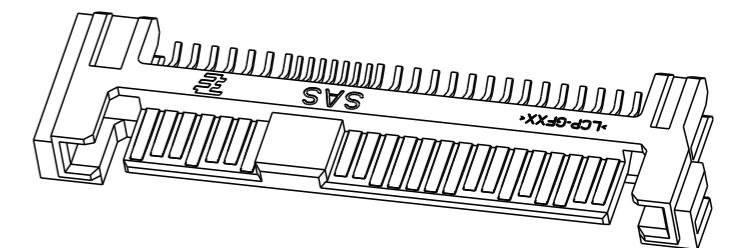
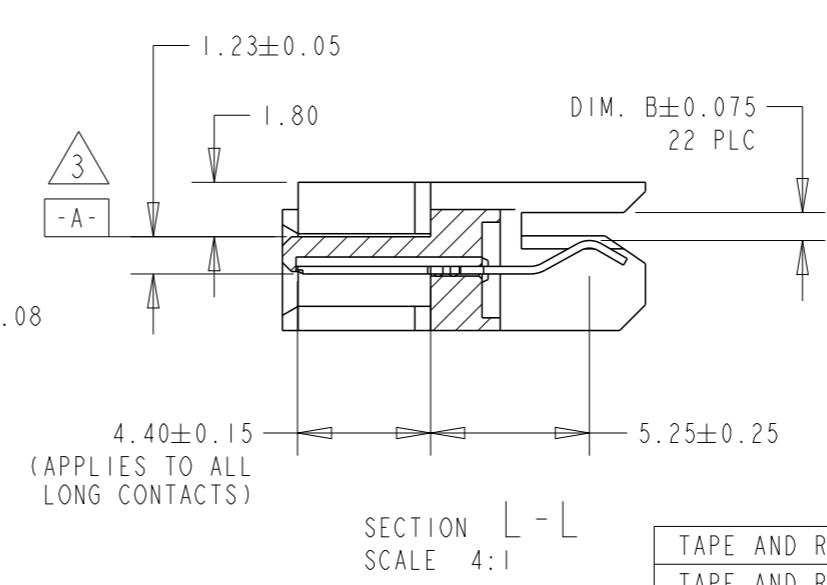
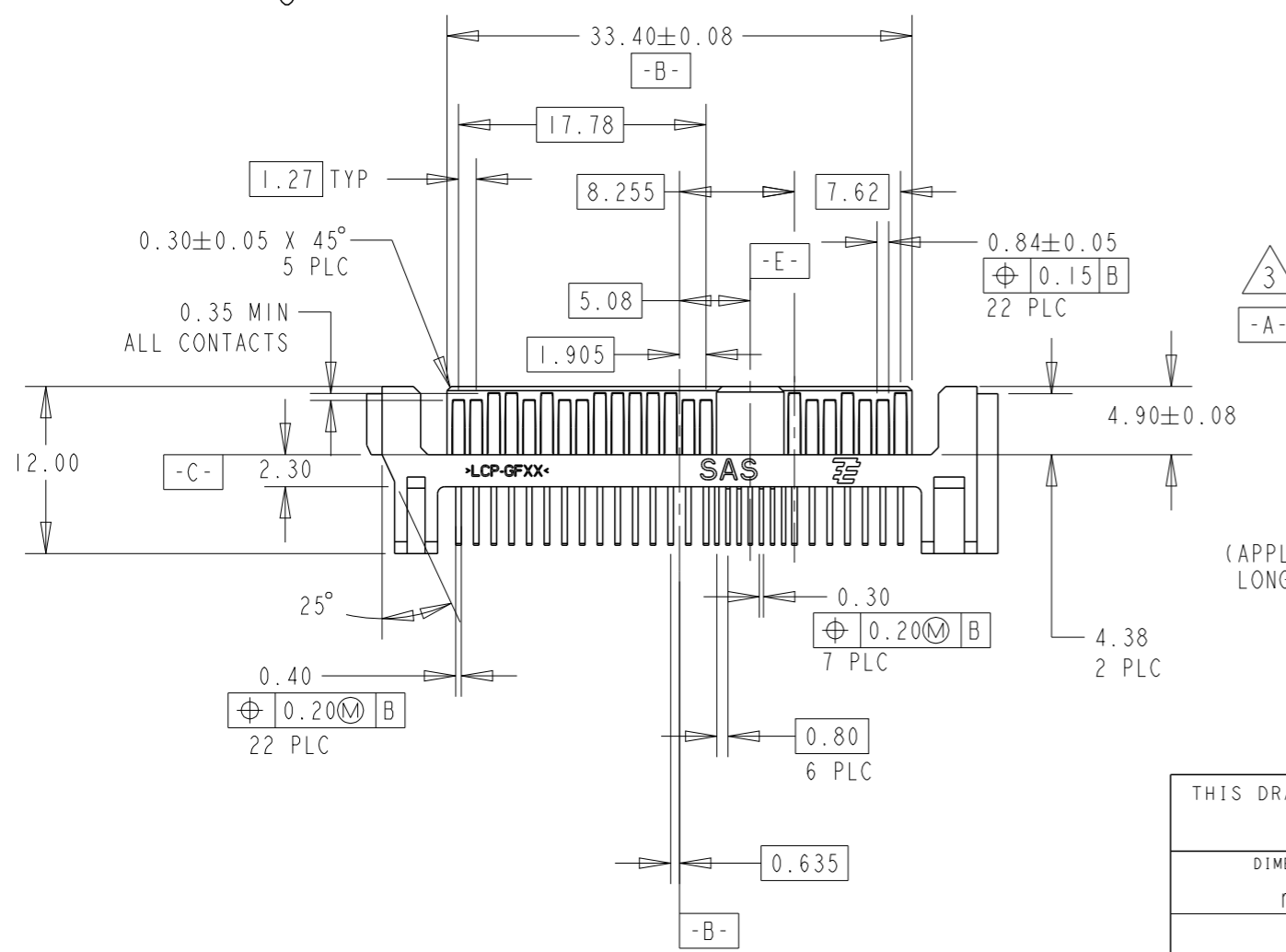
REVISIONS				
P	LTR	DESCRIPTION	DATE	APVD
C2		REVISED PER ECR-15-009763	30JUN2015	S.W W.H



NOTES:
 1 MATERIAL
 HOUSING: HIGH TEMPERATURE THERMOPLASTICS, GLASS FILLED, BLACK, UL94V-0, REGRIND 25% MAXIMUM
 CONTACT: COPPER ALLOY
 2 FINISH
 0.76um MINIMUM GOLD ON MATING AREA AND 1.91um MINIMUM MATTE TIN (LEAD-FREE) ON SOLDER AREA, BOTH OVER 1.27um MIN NICKEL
 3 -A- IS DEFINED AS TOP SURFACE OF HOUSING



SCALE 2:1



SCALE 2:1

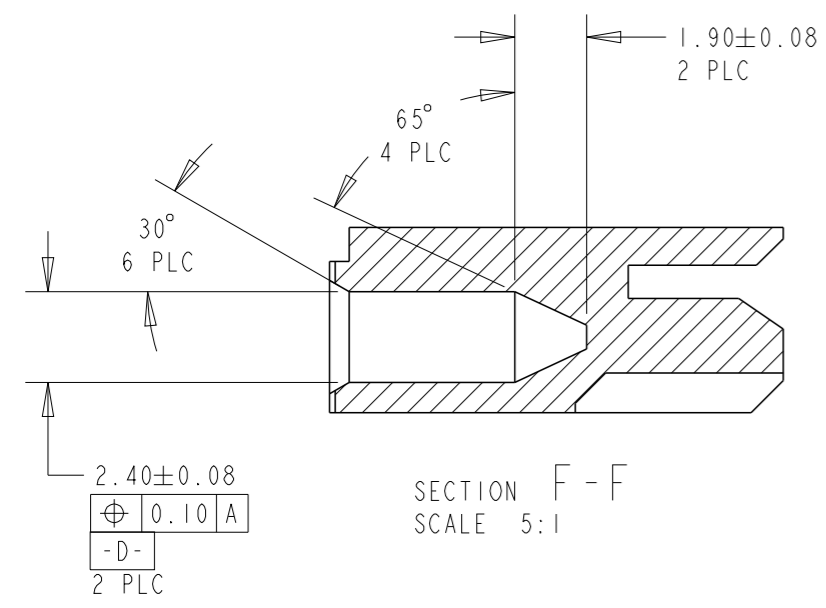
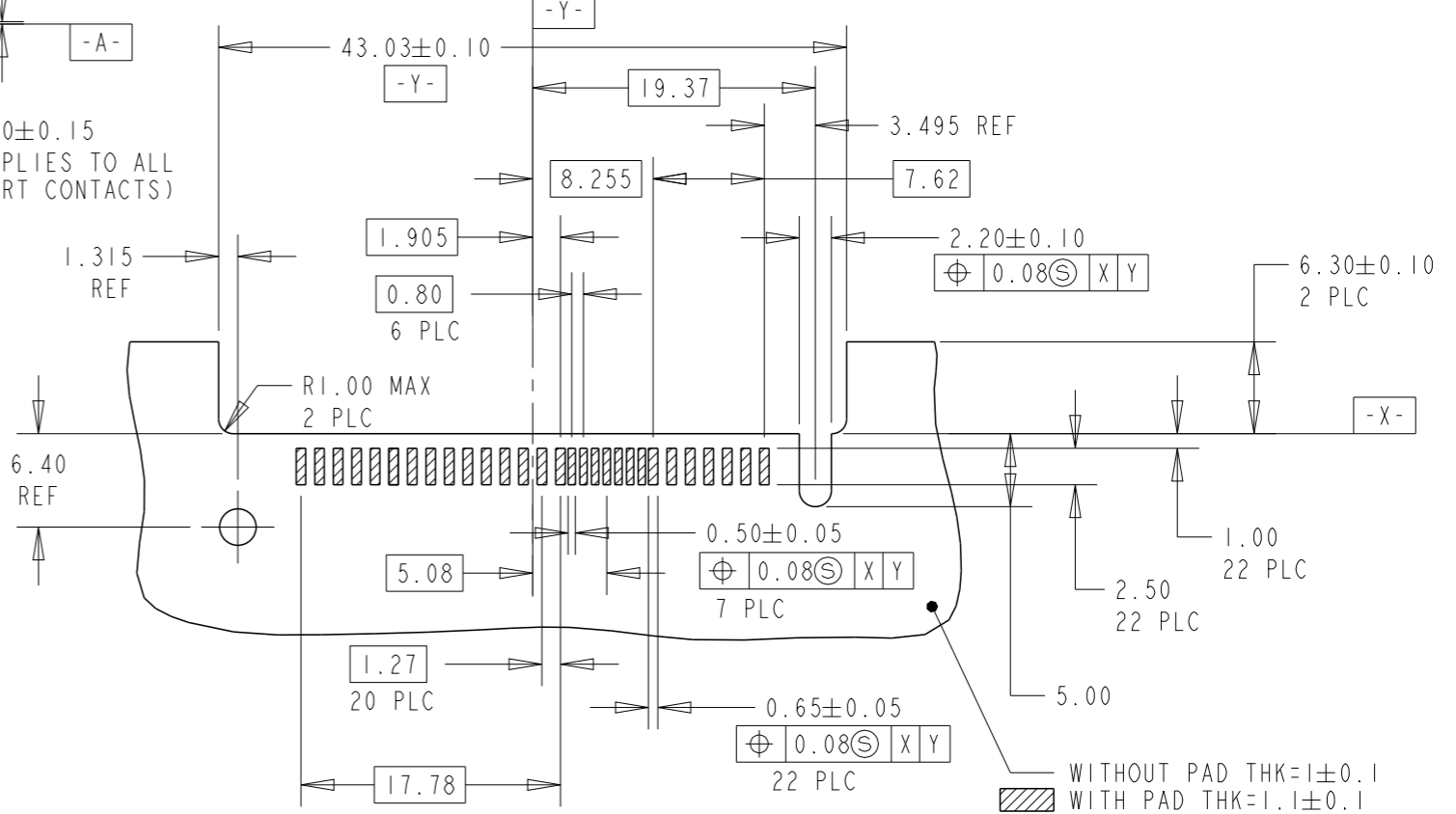
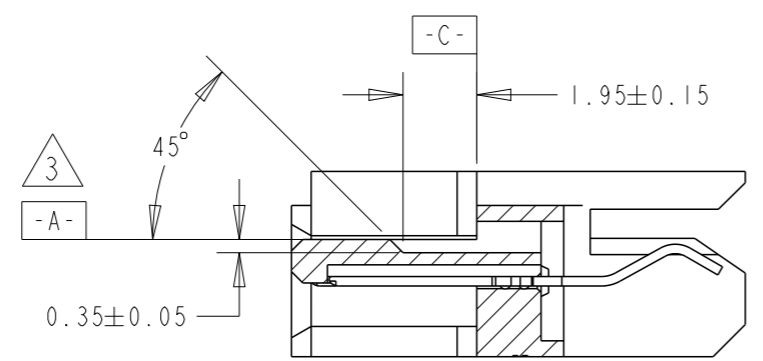
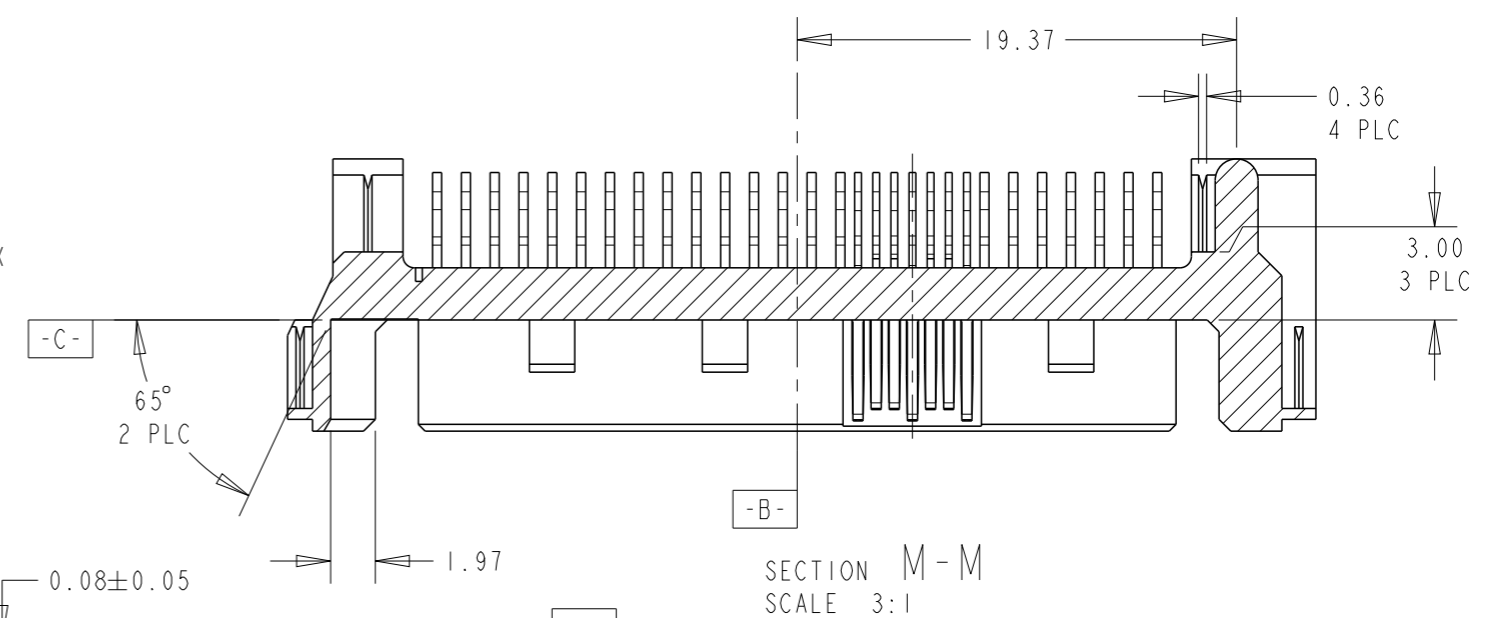
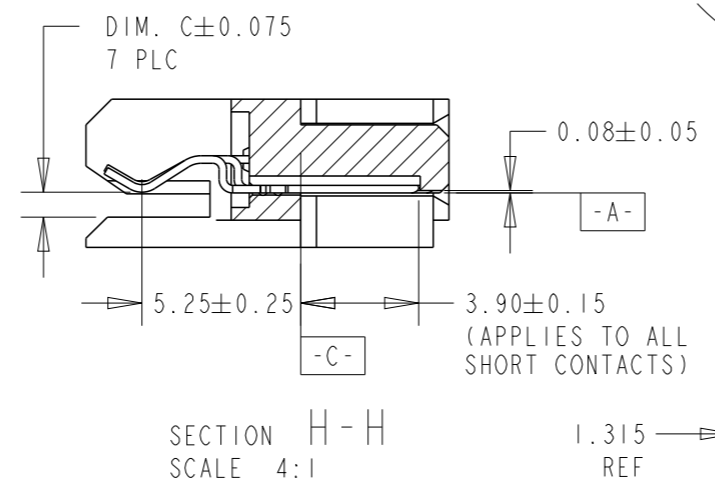
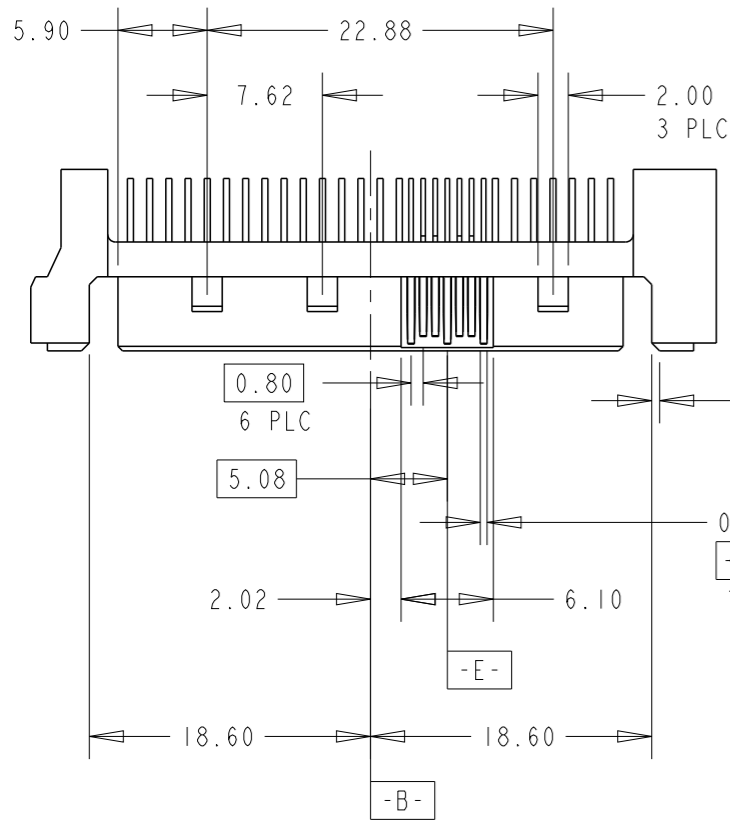
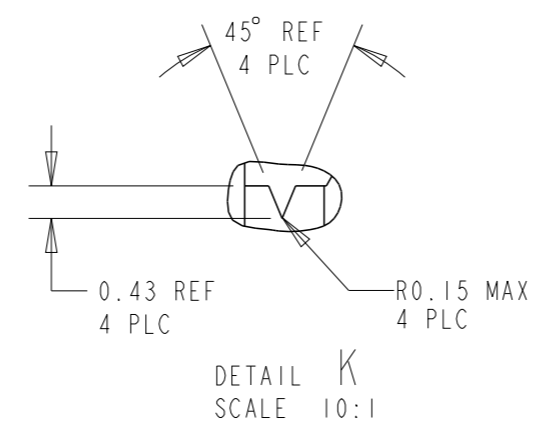
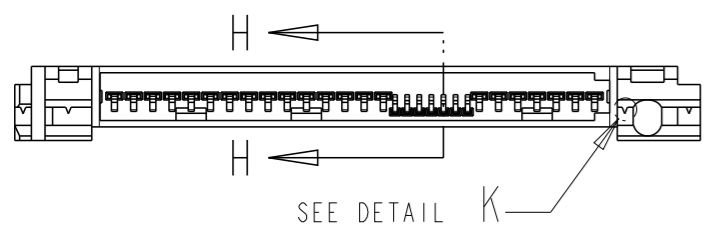
PACKAGING	DIM. C	DIM. B	DIM. A	PART NO.
TAPE AND REEL	0.715	0.815	0.69	1735078-3
TAPE AND REEL	0.825	0.925	0.80	1735078-2
TRAY	0.825	0.925	0.80	1735078-1

THIS DRAWING IS A CONTROLLED DOCUMENT.

DWN WYLEE	15SEP04	 TE Connectivity	NAME PLUG, SAS 15+7+7P		
CHK AP TAY	09MAR2015				
APVD SF LEONG	09MAR2015				
PRODUCT SPEC	-				
APPLICATION SPEC	-	SIZE A3	CAGE CODE -	DRAWING NO. C-1735078	RESTRICTED TO -
MATERIAL	1	WEIGHT -	CUSTOMER DRAWING		SCALE 2:1
DIMENSIONS: mm	TOLERANCES UNLESS OTHERWISE SPECIFIED:	SHEET 1 OF 3			
0 PLC ±-	1 PLC ±-	REV C2			
2 PLC ±0.15	3 PLC ±0.15				
4 PLC ±-	ANGLES ±2°				
FINISH	2				

THIS DRAWING IS UNPUBLISHED. RELEASED FOR PUBLICATION 20
 © COPYRIGHT 20 BY - ALL RIGHTS RESERVED.

REVISIONS					
P	LTR	DESCRIPTION	DATE	DWN	APVD
		SEE SHEET 1			



THIS DRAWING IS A CONTROLLED DOCUMENT.

DIMENSIONS: mm	TOLERANCES UNLESS OTHERWISE SPECIFIED:
	0 PLC ± 1 PLC ± 2 PLC ±0.15 3 PLC ±0.15 4 PLC ± ANGLES ±2°
MATERIAL 	FINISH

DWN WYLEE 15SEP04
CHK AP TAY 09MAR2015
APVD SF LEONG 09MAR2015
PRODUCT SPEC
APPLICATION SPEC
WEIGHT
CUSTOMER DRAWING

TE Connectivity		NAME	
		PLUG, SAS 15+7+7P	
SIZE	CAGE CODE	DRAWING NO	RESTRICTED TO
A3	-	C-1735078	-
SCALE 2:1		SHEET 2 OF 3	REV C2

单击下面可查看定价，库存，交付和生命周期等信息

[>>TE Connectivity\(泰科\)](#)