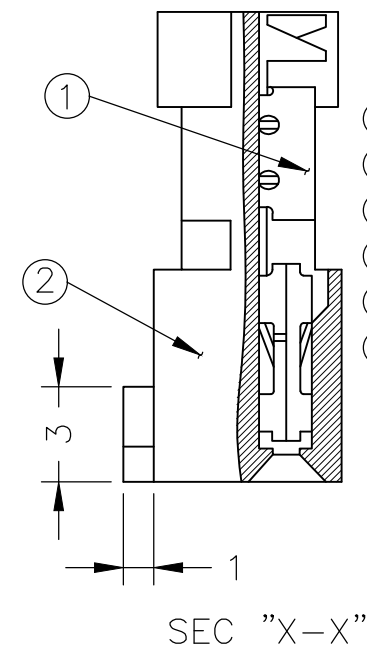
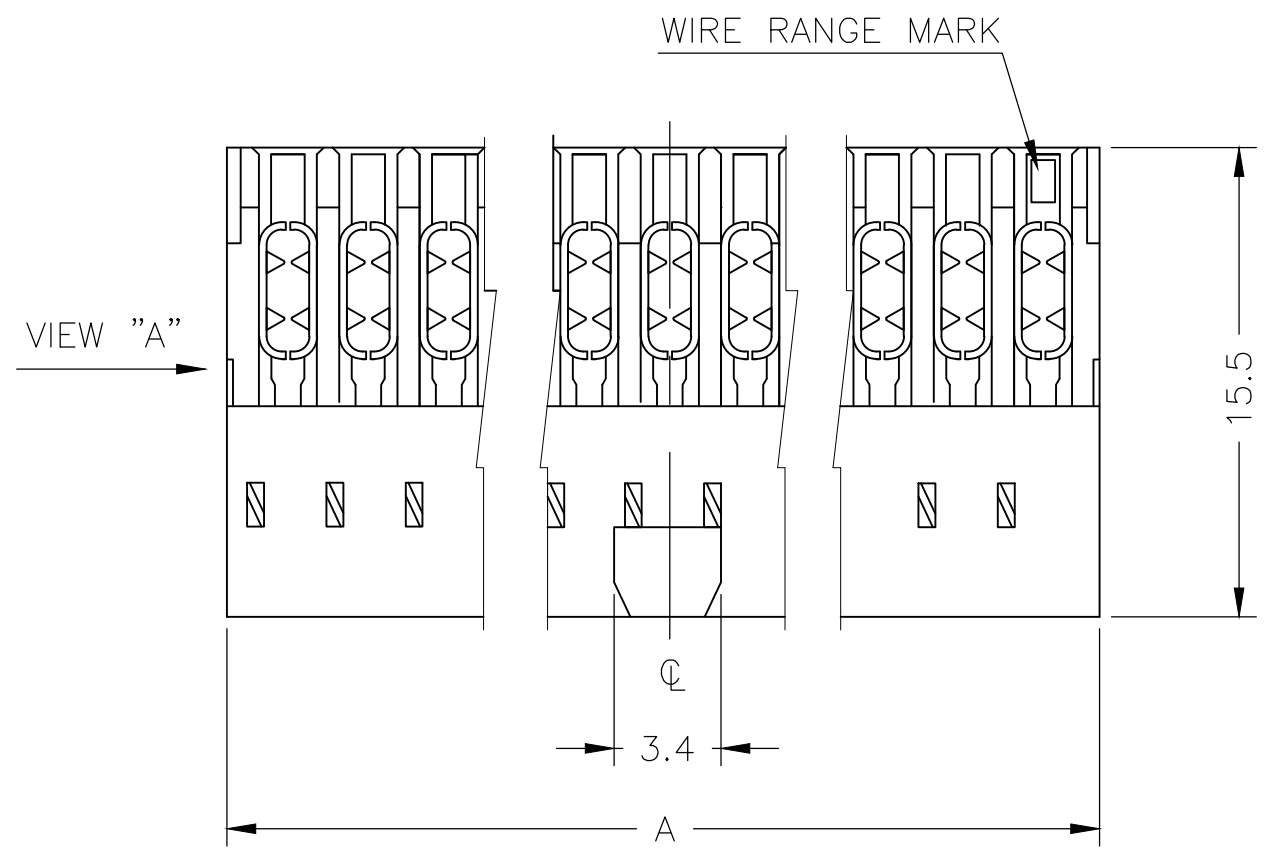


REVISIONS

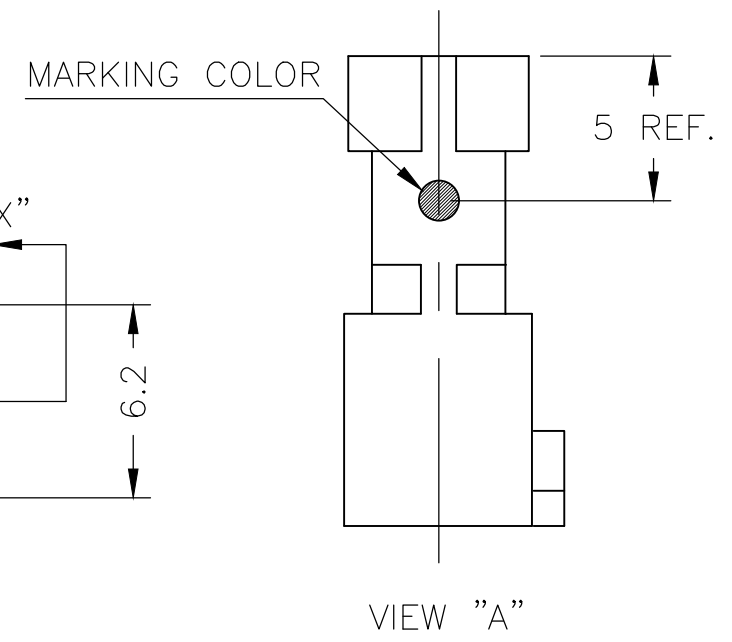
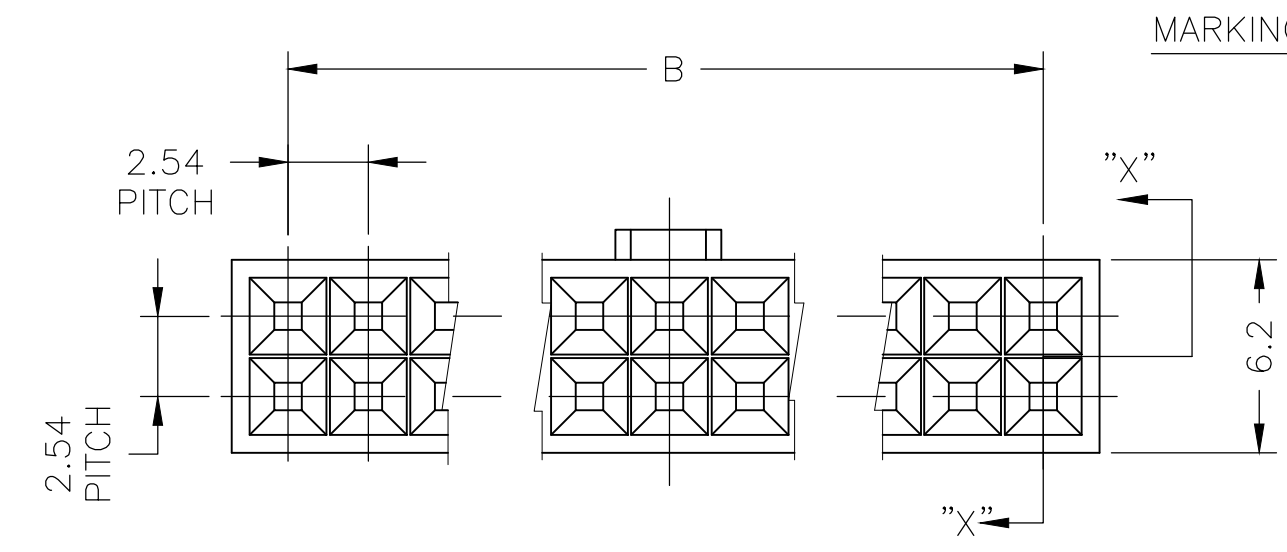
| P | LTR | DESCRIPTION               | DATE      | DWN | APVD |
|---|-----|---------------------------|-----------|-----|------|
|   | F1  | REVISED PER ECO-19-011183 | 22APR2020 | A.S | H.L  |



| F | OBSOLETE | MAKING COLOR $\Delta_3$ | WIRE SIZE |           | WIRE RANGE | DIM   |       |     |          |
|---|----------|-------------------------|-----------|-----------|------------|-------|-------|-----|----------|
|   |          |                         | AWG       | INS.DIA   |            | "B"   | "A"   | POS | P/N      |
|   |          | YELLOW                  | #28~#30   | 1.27 MAX. | 1          | 34.34 | 30.48 | 26  | 175598-1 |
|   |          | YELLOW                  | #28~#30   | 1.27 MAX. | 1          | 44.50 | 40.64 | 34  | 175598-2 |
|   |          | BRIGHT BLUE             | #24~#26   | 1.27 MAX. | 2          | 44.50 | 40.64 | 34  | 175598-3 |
|   |          | BRIGHT BLUE             | #24~#26   | 1.27 MAX. | 2          | 87.68 | 83.32 | 68  | 175598-4 |
|   |          | BRIGHT BLUE             | #24~#26   | 1.27 MAX. | 2          | 21.64 | 17.78 | 16  | 175598-5 |
|   |          | YELLOW                  | #28~#30   | 1.27 MAX. | 1          | 21.64 | 17.78 | 16  | 175598-6 |
|   |          | YELLOW                  | #28~#30   | 1.27 MAX. | 1          | 87.68 | 83.32 | 68  | 175598-7 |

NOTES

- $\Delta_1$  CONTACT FINISH: NICKEL UNDER PL.  
Au PL IN CONTACT AREA  
TIN PL. IN INSULATION DISPLACEMENT



|                                 |              |     |
|---------------------------------|--------------|-----|
| COPPER ALLOY                    | REC. CONTACT | 2   |
| THERMOPLASTIC POLYESTER (BLACK) | REC. HOUSING | 1   |
| MATERIAL                        | NAME         | NO. |

|  |  |                               |   |               |            |
|--|--|-------------------------------|---|---------------|------------|
| THIS DRAWING IS A CONTROLLED DOCUMENT. |  | DWN<br>H.AMIKURA<br>25SEP92   | <b>STE</b> TE Connectivity                      |               |            |
| DIMENSIONS:<br>mm                      |  | CHK<br>T.SASAKI<br>06OCT92    |   |               |            |
| TOLERANCES UNLESS OTHERWISE SPECIFIED: |  | APVD<br>Y.TANIKAWA<br>25SEP92 | NAME<br>REC. ASSY<br>S-200 CONN, SYSTEM (W-T-B) |               |            |
| 0 PLC ± -                              |  | PRODUCT SPEC                  | APPLICATION SPEC                                |               |            |
| 1 PLC ± 0.5                            |  | SIZE                          |   | CAGE CODE     | DRAWING NO |
| 2 PLC ± -                              |  | WEIGHT                        |   | RESTRICTED TO |            |
| 3 PLC ± -                              |  | 0.000000                      |   | -             |            |
| 4 PLC ± -                              |  | A3                            |   | -             |            |
| ANGLES ± 1°                            |  | 00779                         |   | -             |            |
| FINISH                                 |  | C-175598                      |   | -             |            |
| MATERIAL<br>SEE NOTE                   |  | CUSTOMER DRAWING              |   | -             |            |
|  |  | SCALE                         |   | SHEET         |            |
|  |  | 4:1                           |   | 1 OF 1        |            |
|  |  |                               |   | REV           |            |
|  |  |                               |   | F1            |            |

单击下面可查看定价，库存，交付和生命周期等信息

[>>TE Connectivity\(泰科\)](#)