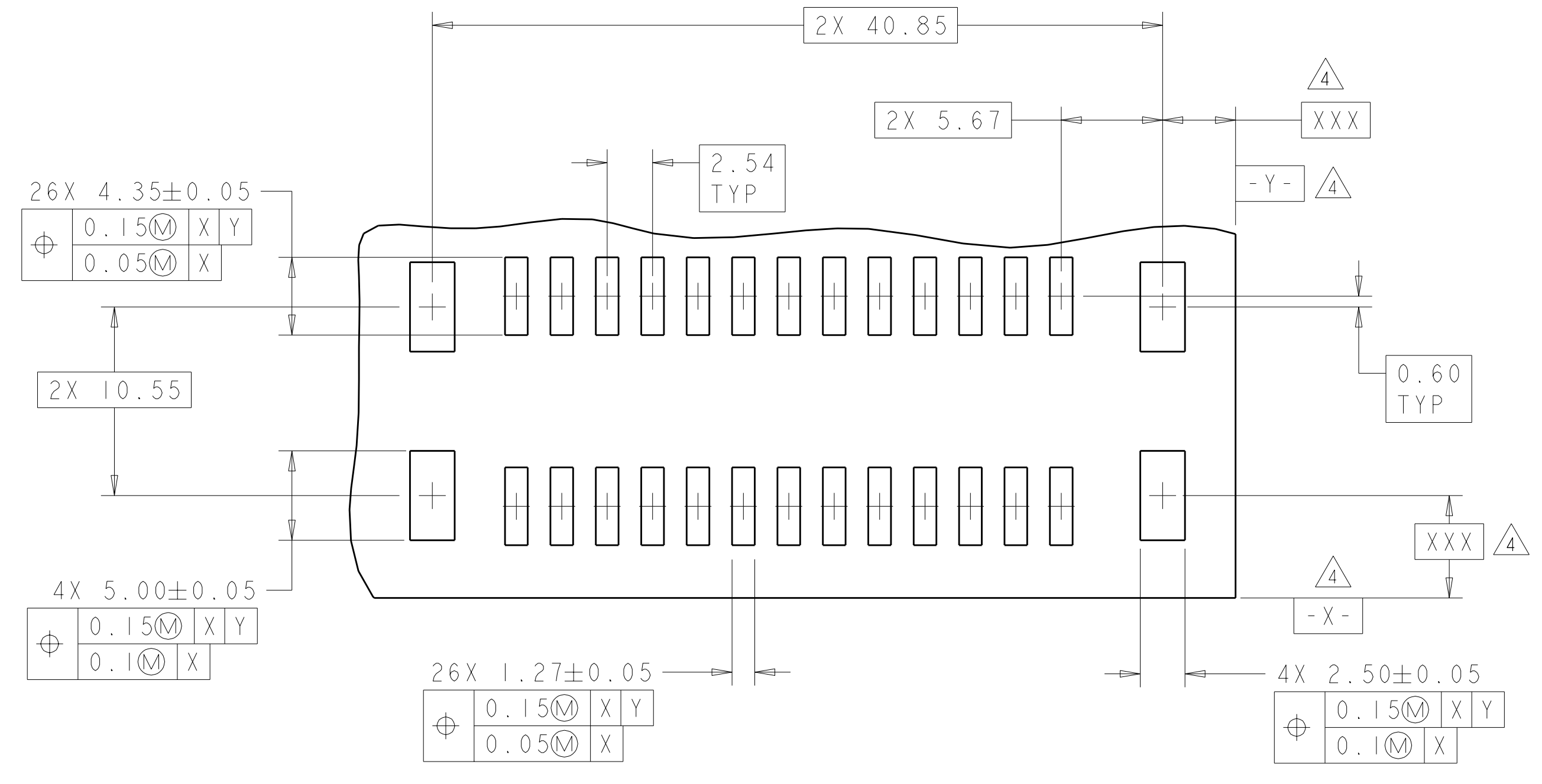
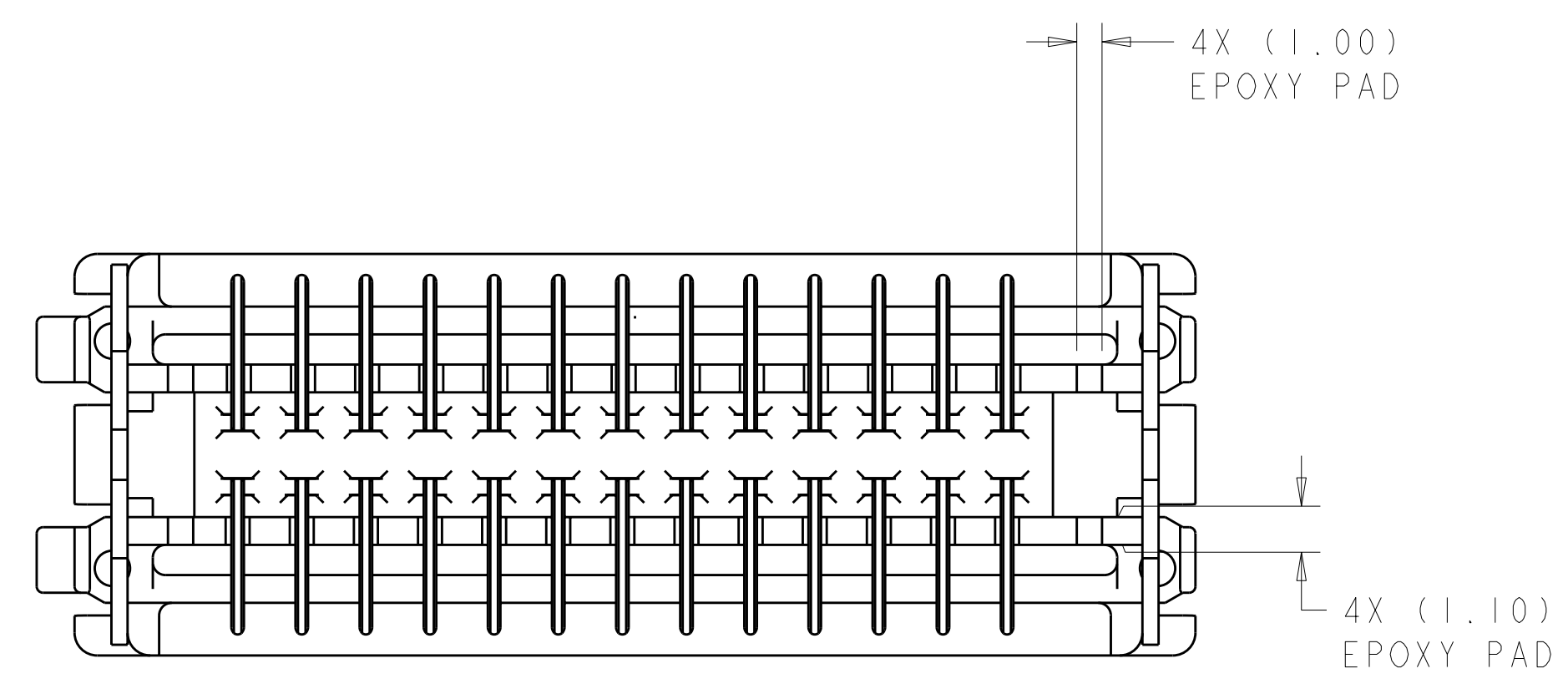
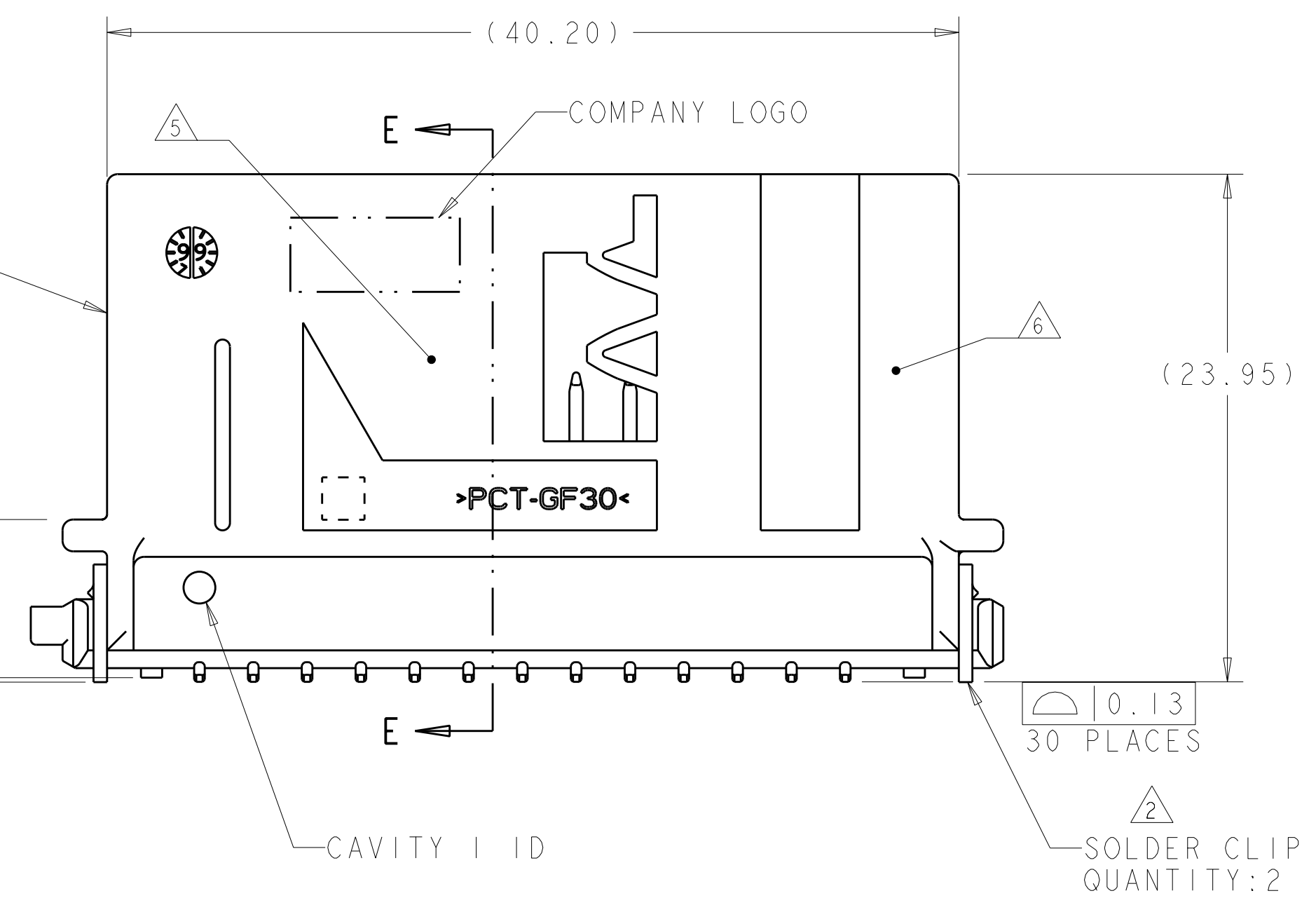
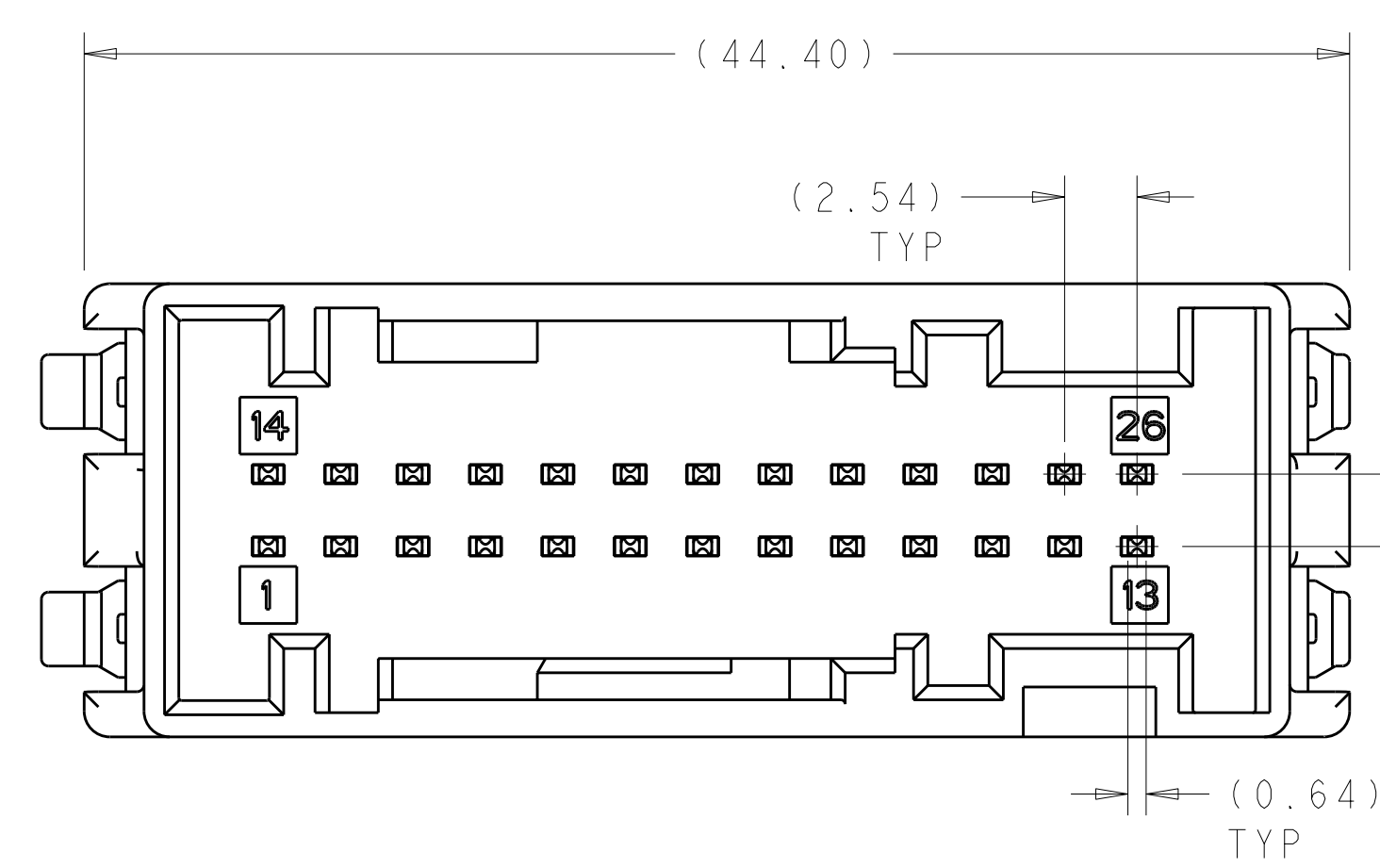
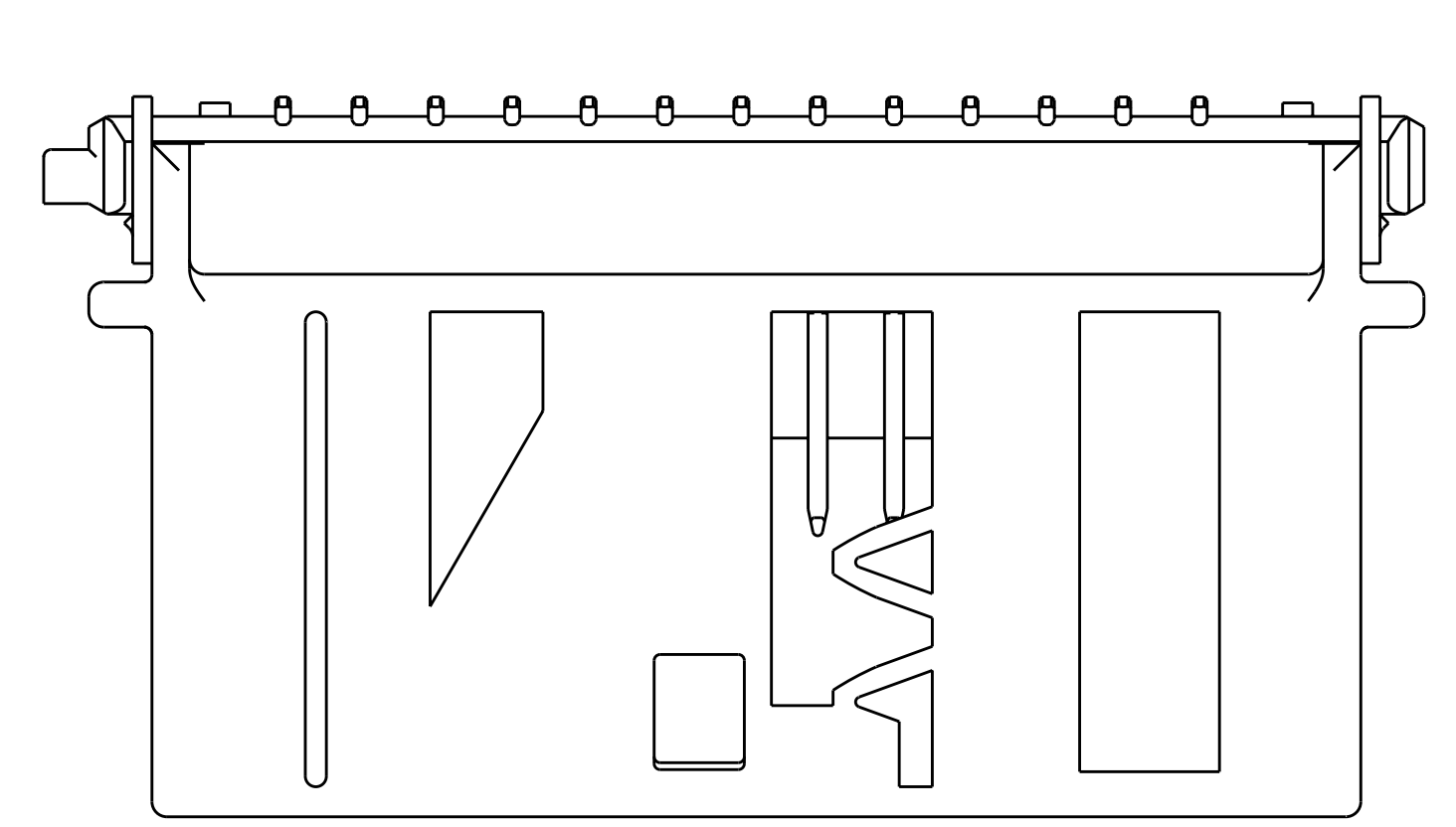
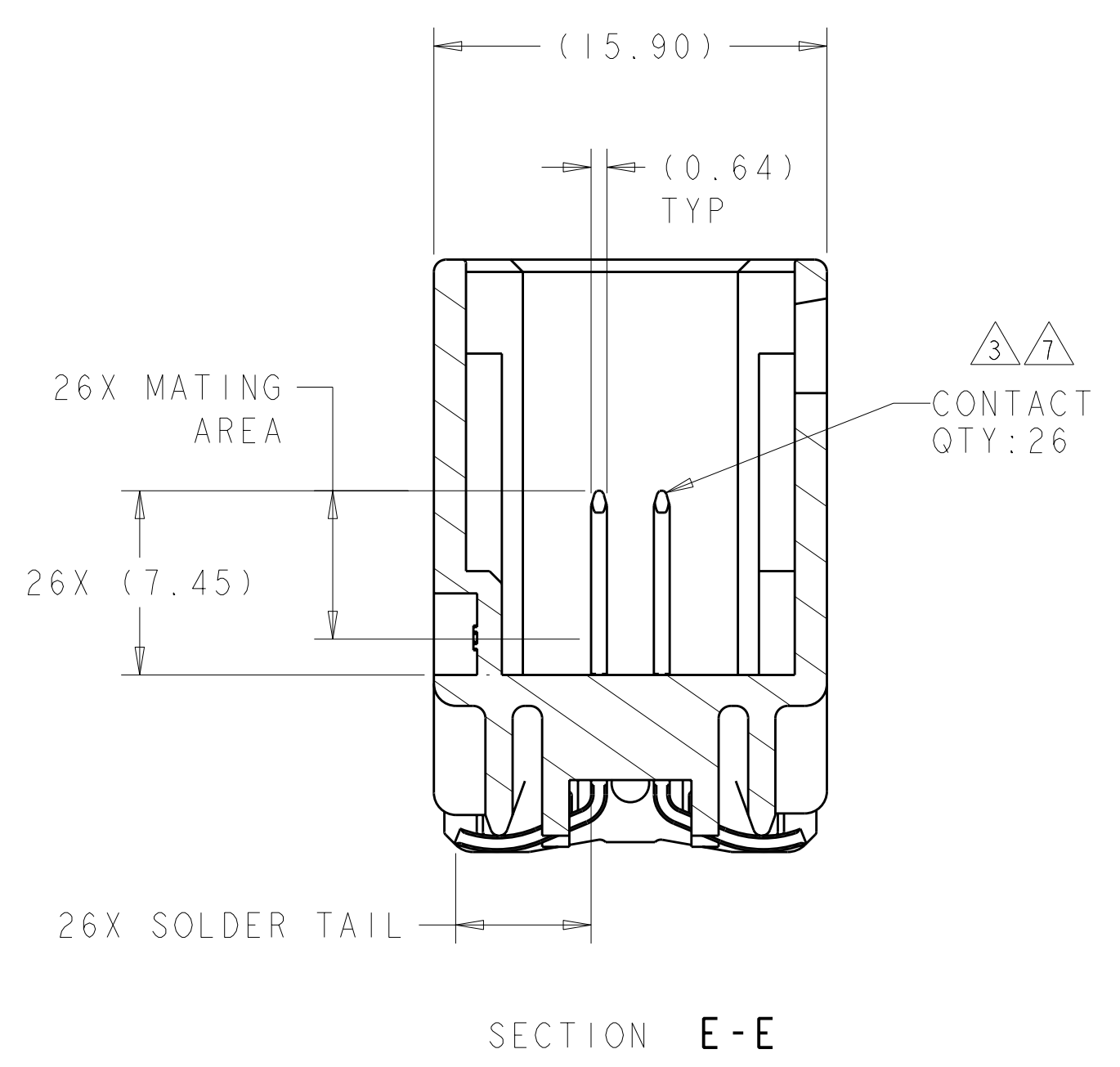


LOC	DIST	REV	DATE	BY	CHKD	APVD
1N	00					

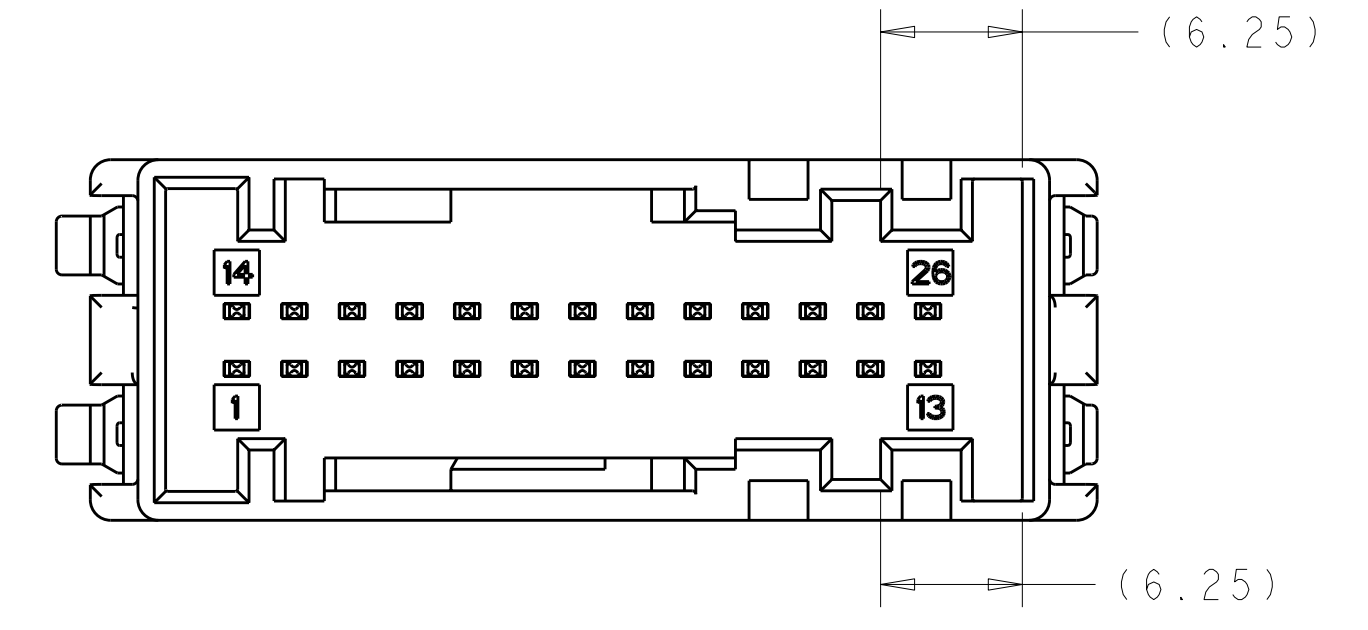
REVISIONS			
REV	DATE	BY	CHKD
A	21JAN2008	RGV	RDH
A1	21MAY2008	DLD	RDH
A2	24NOV2009	DLD	CJS
A3	31MAY2010	VSS	CS



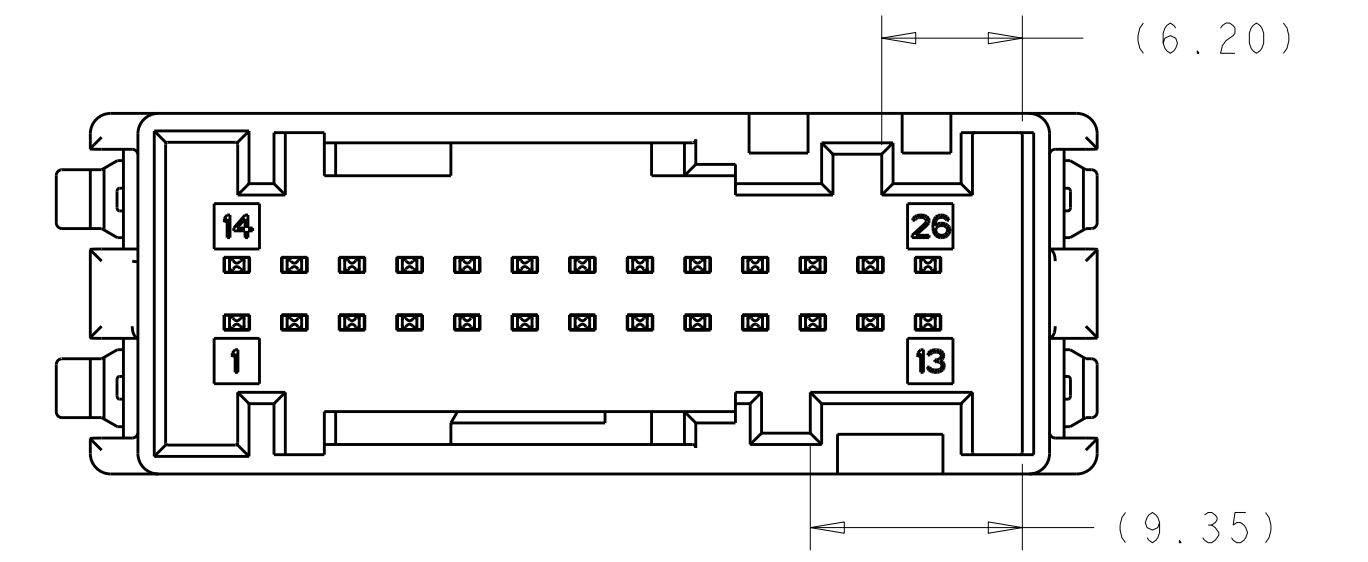
RECOMMENDED PC BOARD LAYOUT
 CONNECTOR SIDE OF BOARD
 SCALE 4:1



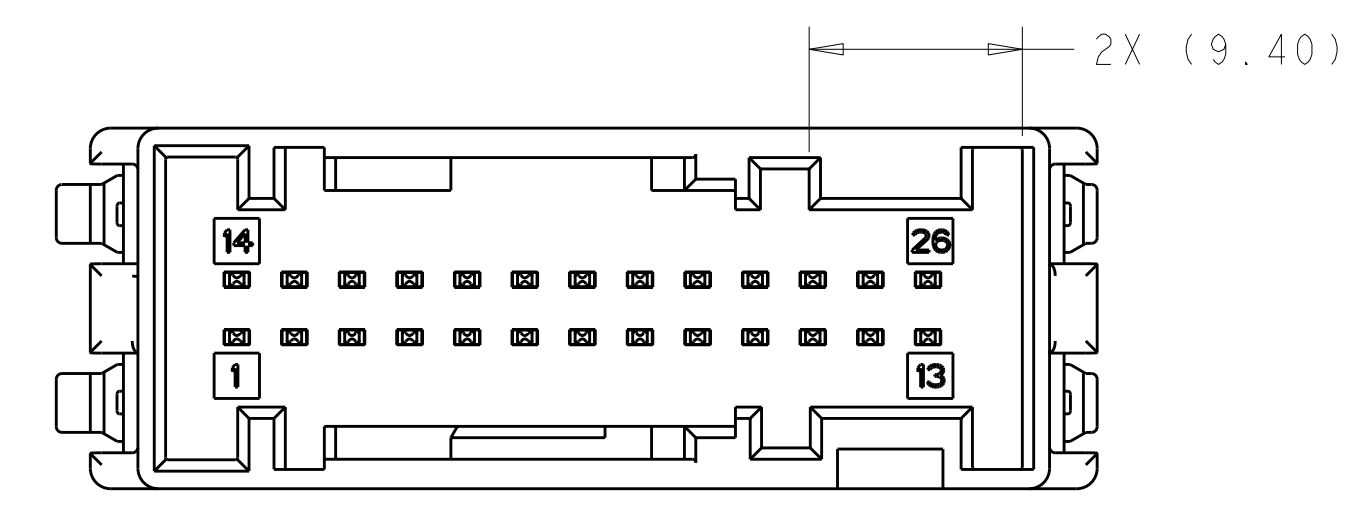
- ① HOUSING: PCT, COLOR - SEE TABLE.
CONTACTS: BRASS.
SOLDER CLIP: BRASS.
- ② SOLDER CLIP: 3.8µm MIN TIN OVER 1.27µm MIN NICKEL.
- ③ CONTACT: 0.8µm MIN TIN IN MATING AREA AND 2.5µm MIN TIN IN SOLDER TAIL ALL OVER 1.00µm NICKEL.
- ④ DATUMS AND BASIC DIMENSIONS ESTABLISHED BY THE CUSTOMER.
- ⑤ ASSEMBLY DATE CODE.
- ⑥ PRODUCT PART NUMBER.
- ⑦ CONTACT: 0.38µm MIN GOLD IN MATING AREA AND 2.5µm MIN TIN IN SOLDER TAIL AREA, ALL OVER 1.00µm NICKEL.



KEYING CODE "BF"
 SCALE 3:1



KEYING CODE "BE"
 SCALE 3:1



KEYING CODE "AE"
 SCALE 3:1

FINISH	PACKAGE TUBE	KEYING CODE	COLOR	PART NUMBER
7	NON RETURNABLE	KEYING CODE "BF"	BLUE	1-1924678-6
7	NON RETURNABLE	KEYING CODE "AE"	BLACK	1-1924678-5
3	NON RETURNABLE	KEYING CODE "BF"	NATURAL	1-1924678-4
3	NON RETURNABLE	KEYING CODE "BF"	BLUE	1-1924678-3
3	NON RETURNABLE	KEYING CODE "BE"	GRAY	1-1924678-2
3	NON RETURNABLE	KEYING CODE "AE"	BLACK	1-1924678-1
3	RETURNABLE	KEYING CODE "BF"	NATURAL	1924678-4
3	RETURNABLE	KEYING CODE "BF"	BLUE	1924678-3
3	RETURNABLE	KEYING CODE "BE"	GRAY	1924678-2
3	RETURNABLE	KEYING CODE "AE"	BLACK	1924678-1

DIMENSIONS: mm		TOLERANCES UNLESS OTHERWISE SPECIFIED: 9 PLC ± 1 PLC ± 3 PLC ± 4 PLC ± ANGLES ±		DWN BY: FOLTZ 25JUL2007 CHK: G. MARTIN 25JUL2007 APVD: G. MARTIN 25JUL2007		Tyco Electronics Harrisburg, PA 17105-3608	
MATERIAL: SEE CALLOUTS		FINISH:		NAME: HEADER ASSEMBLY, 26 WAY, HAND MATE, VERTICAL, WITH SOLDER CLIPS, SURFACE MOUNT, LAC		SIZE: CAGE CODE DRAWING NO. RESTRICTED TO A11 00779 C=1924678	
CUSTOMER DRAWING				SCALE 4:1		SHEET 1 OF 1 REV A3	

单击下面可查看定价，库存，交付和生命周期等信息

[>>TE Connectivity\(泰科\)](#)