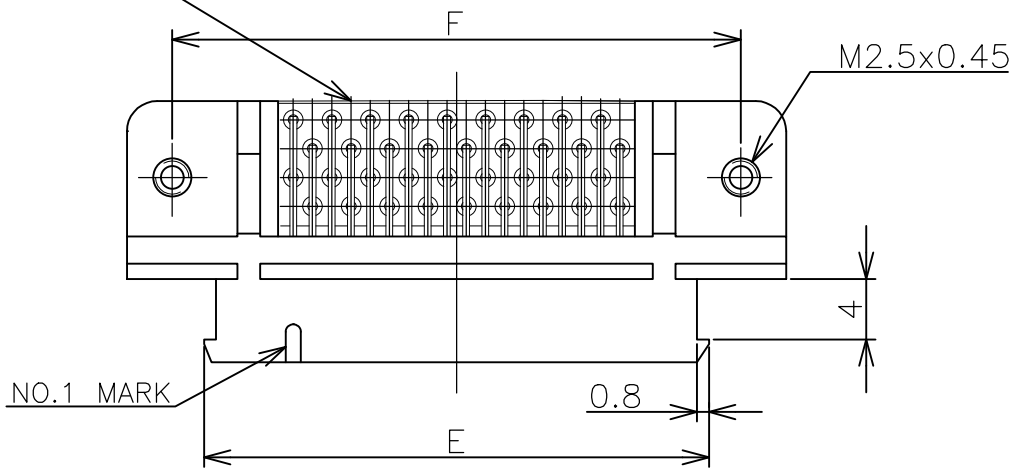


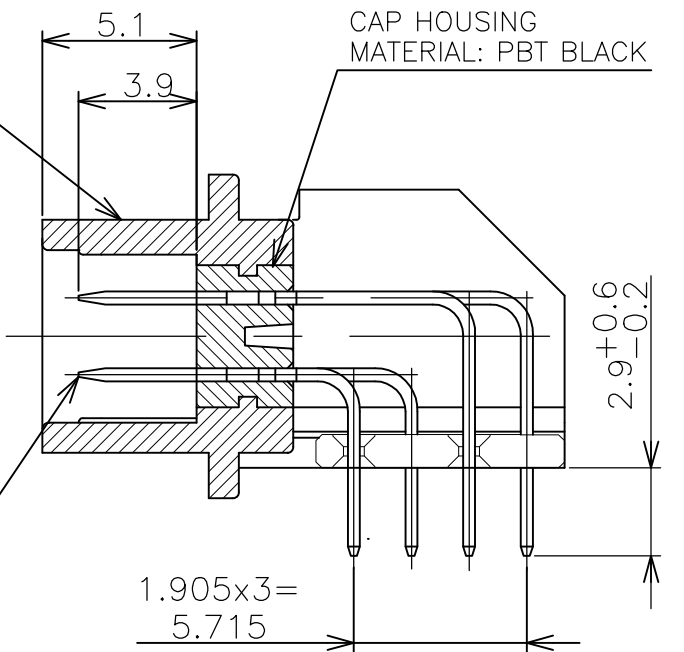
P	LTR	DESCRIPTION	DATE	DWN	APVD
E		REVISED PER ECO-19-007627	05DEC2019	AP	DG

TINE PLATE MATERIAL : PBT (BLACK)



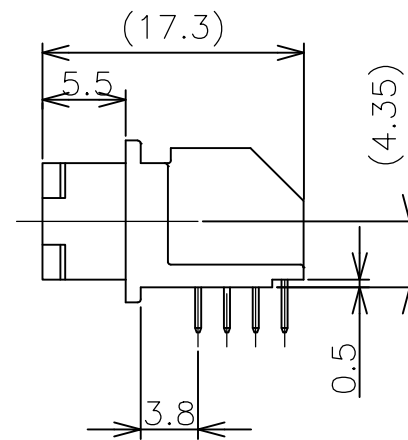
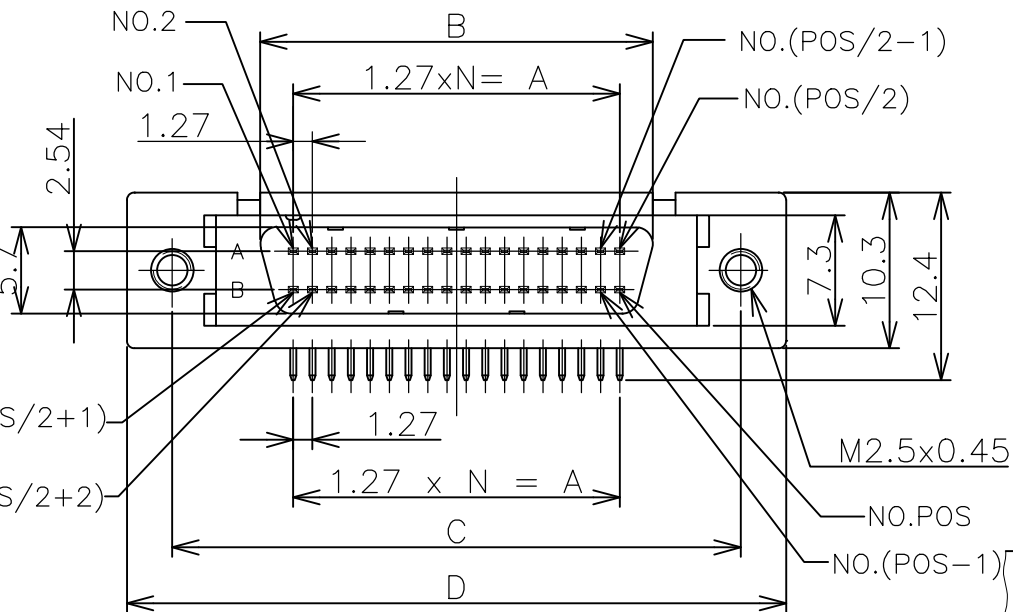
50POS (-4) ONLY

CAP SHIELD MATERIAL: ZINC FINISH: NICKEL OVER COPPER

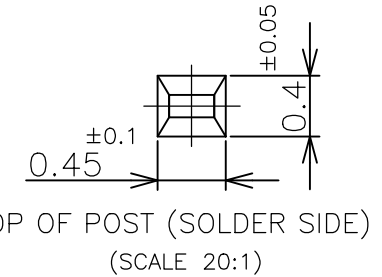


POST CONTACT MATERIAL : PHOS BRONZE FINISH : GOLD (CONTACT AREA) TIN (SOLDER TINE AREA) WITH ENTIRE CONTACT UNDER PLATED NIKKEL

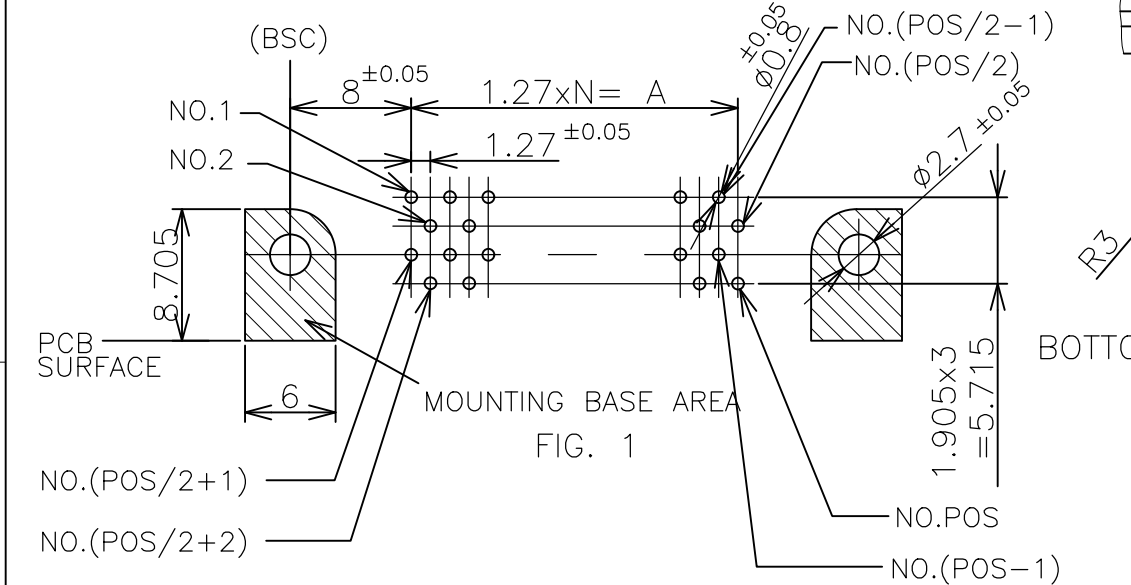
(SCALE 4:1)



LEAD FREE



TOP OF POST (SOLDER SIDE) (SCALE 20:1)



BOTTOM VIEW OF MOUNT

OBS	96	47	59.69	64.06	75.7	81.7	71.49	75.7	0.00076 MIN	2-5174225-6
	68	33	41.91	46.28	57.9	63.9	53.71	57.9		2-5174225-5
3	50	24	30.48	34.85	46.5	52.5	42.28	46.5	0.0002 MIN	2-5174225-4
	36	17	21.59	25.96	37.6	43.6	33.39	37.6		2-5174225-3
	96	47	59.69	64.06	75.7	81.7	71.49	75.7	0.0002 MIN	5174225-6
	68	33	41.91	46.28	57.9	63.9	53.71	57.9		5174225-5
3	50	24	30.48	34.85	46.5	52.5	42.28	46.5	0.0002 MIN	5174225-4
	36	17	21.59	25.96	37.6	43.6	33.39	37.6		5174225-3
3	28	13	16.51	20.88	32.5	38.5	28.31	32.5	0.0002 MIN	5174225-2
	20	9	11.43	15.8	27.4	33.4	23.23	27.4		5174225-1
	POS	N	A	B	C	D	E	F	GOLD THK	PART NUMBER

THIS DRAWING IS A CONTROLLED DOCUMENT.

DWN Roy Hao 17Aug04  
 CHK Steven Yao 17Aug04  
 APVD I.Enomoto 17Aug04

STE TE Connectivity Ltd.

NAME: POST HEADER (HORIZONTAL M2.5) AMPLIMITE .050 SERIES 2 TYPE B

PRODUCT SPEC: 108-60037-1

APPLICATION SPEC

SIZE: A3 CAGE CODE: 00779 DRAWING NO: C-5174225 RESTRICTED TO: -

WEIGHT

CUSTOMER DRAWING SCALE: 2:1 SHEET: 1 OF 1 REV: E

- 1 P.C BOARD HOLE LAY-OUT AS SHOWN FIG. 1
- 2 USE SCREW SIZE ; M2.5 PAN-HEAD SCREW
- 3 OBSOLETE PARTS: OBSOLETE CIS STREAMLINING PER D.RENAUD/D.SINISI

单击下面可查看定价，库存，交付和生命周期等信息

[>>TE Connectivity\(泰科\)](#)