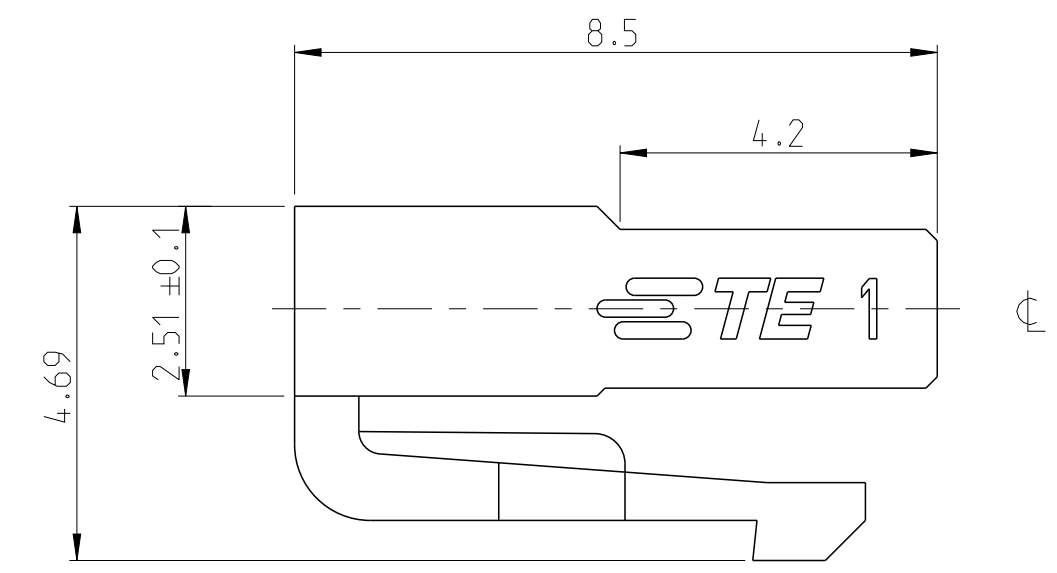
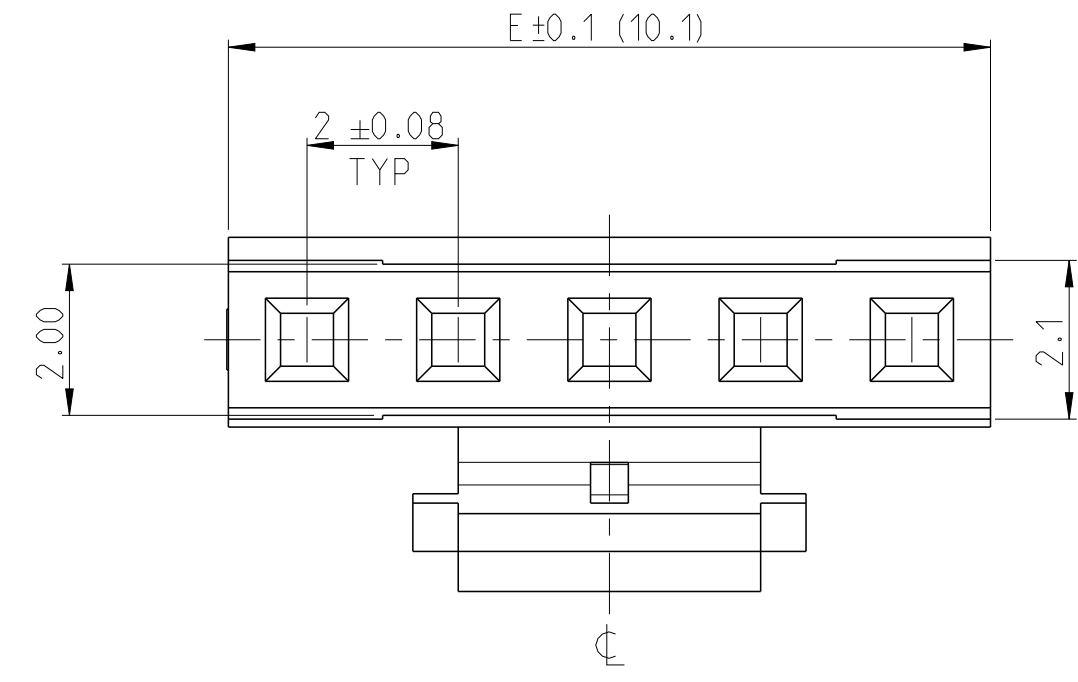
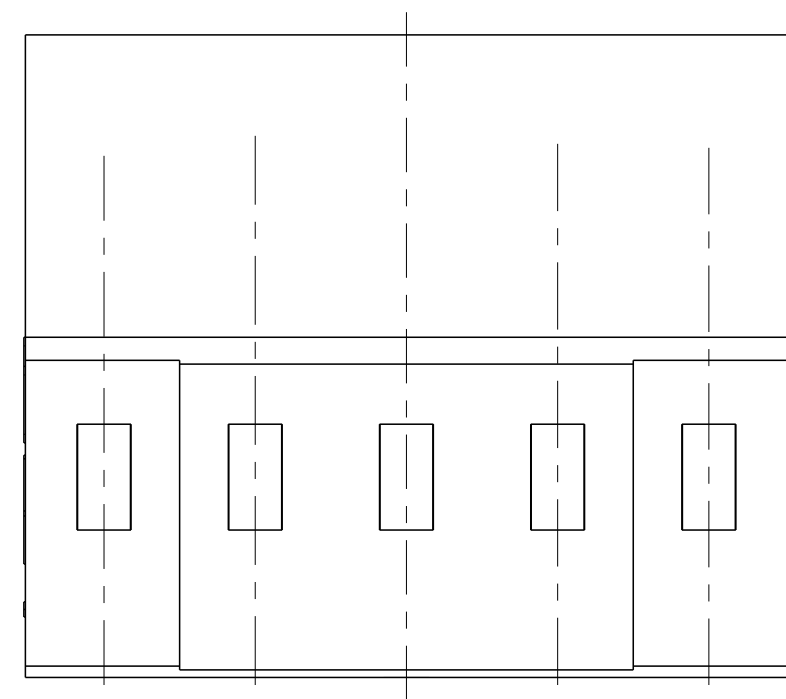


THIS DRAWING IS UNPUBLISHED. RELEASED FOR PUBLICATION
 © COPYRIGHT 2017 TE Connectivity ALL RIGHTS RESERVED.

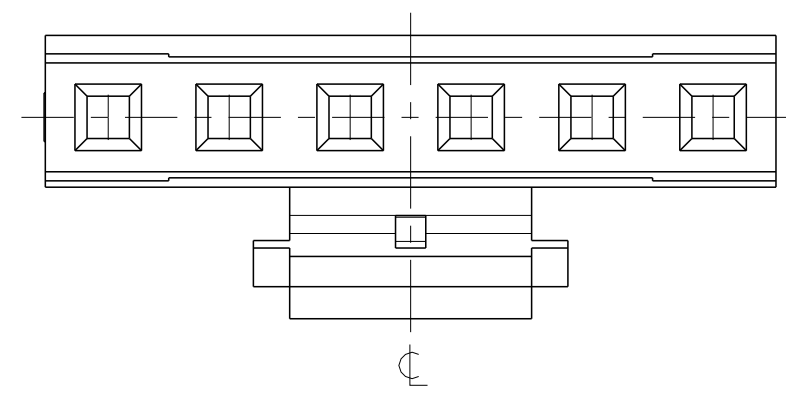
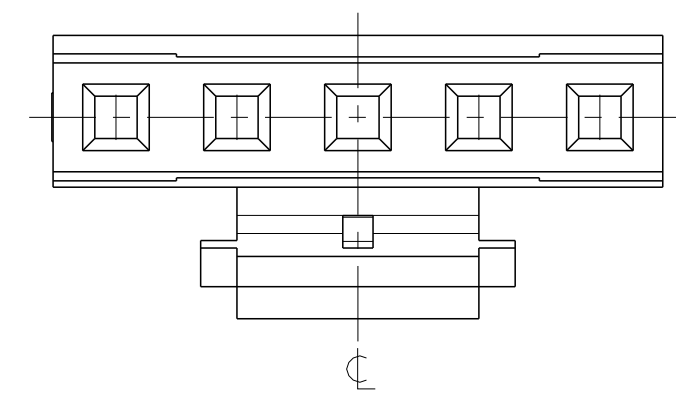
REVISIONS				
P	LTR	DESCRIPTION	DATE	APVD
9		RIBS ADDED AT BOTH ENDS	29MAR2019	HSR PS
10		RIB ADDED ON LATCH	17JUL2019	AY PS
11		OVERALL LENGTH UPDATED	12SEP2019	AY PS
12		REMOVED NOTE 5	19SEP2019	AY PS



- NOTES:
- MATERIAL:
LCP BLACK, UL94 V0
 - N = NUMBER OF POSITION PER HOUSING.
 - HOUSING TO BE USED WITH CRIMP CONTACTS
2316113 (AWG 28-24/0.08-0.22 mm²) AND
2316114 (AWG 30-28/0.05-0.08 mm²)
 - PACKAGING : BOX

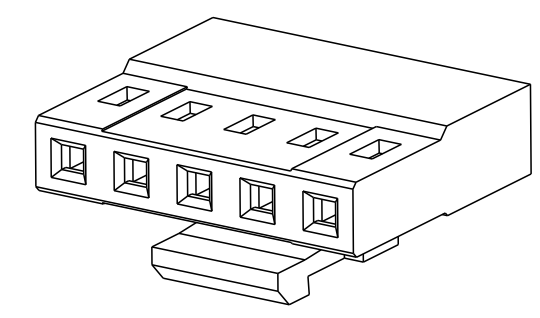


CENTERLINE FOR ODD AND EVEN POSITION HOUSINGS



SINGLE ROW HOUSING,
LATCH VERSION
-5 AS SHOWN

5:1



1-2316104-6	32.1	16
1-2316104-5	30.1	15
1-2316104-4	28.1	14
1-2316104-3	26.1	13
1-2316104-2	24.1	12
1-2316104-1	22.1	11
1-2316104-0	20.1	10
2316104-9	18.1	9
2316104-8	16.1	8
2316104-7	14.1	7
2316104-6	12.1	6
2316104-5	10.1	5
2316104-4	8.1	4
2316104-3	6.1	3
PART NO.	DIM "E"	N

THIS PRINT IS
PRELIMINARY
 UNQUALIFIED PRODUCT
 CONTACT PRODUCT ENGINEERING
 BEFORE USING THIS PRINT

THIS DRAWING IS A CONTROLLED DOCUMENT.

DIMENSIONS: mm	TOLERANCES UNLESS OTHERWISE SPECIFIED: 0 PLC ± 1 PLC ±0.15 2 PLC ±0.10 3 PLC ± 4 PLC ± ANGLES ±2° FINISH -	DWN RAKSHITH R NAYAK 29OCT2017 CHK RAKSHITH R NAYAK 29OCT2017 APVD PRASHANTH S 11DEC2017 PRODUCT SPEC 108-64040-1 APPLICATION SPEC 114-32173 WEIGHT - CUSTOMER DRAWING	NAME AMPMODU 2mm RECEPTACLE, w/B HOUSING, CRIMP, SR, CENTER LATCH SIZE A2 CAGE CODE 00779 DRAWING NO C-2316104 RESTRICTED TO -
MATERIAL SEE NOTE 1		SCALE 10:1	SHEET 1 OF 1

1471-9 (3/13) Downloaded From Onevac.com

单击下面可查看定价，库存，交付和生命周期等信息

[>>TE Connectivity\(泰科\)](#)