

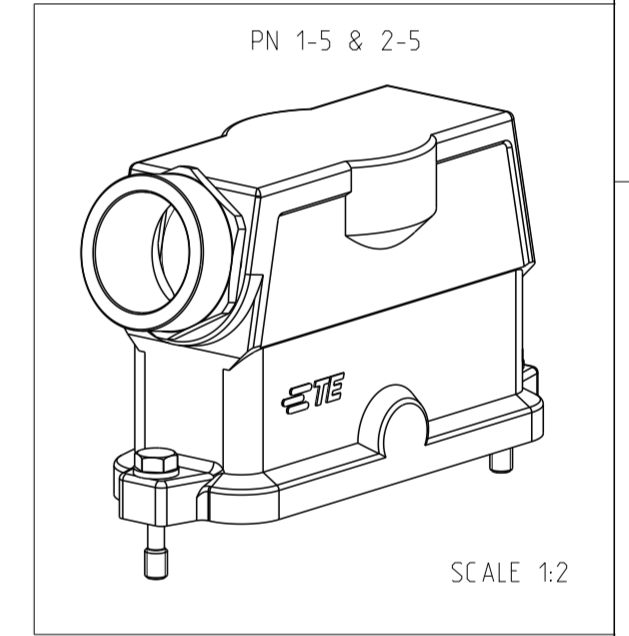
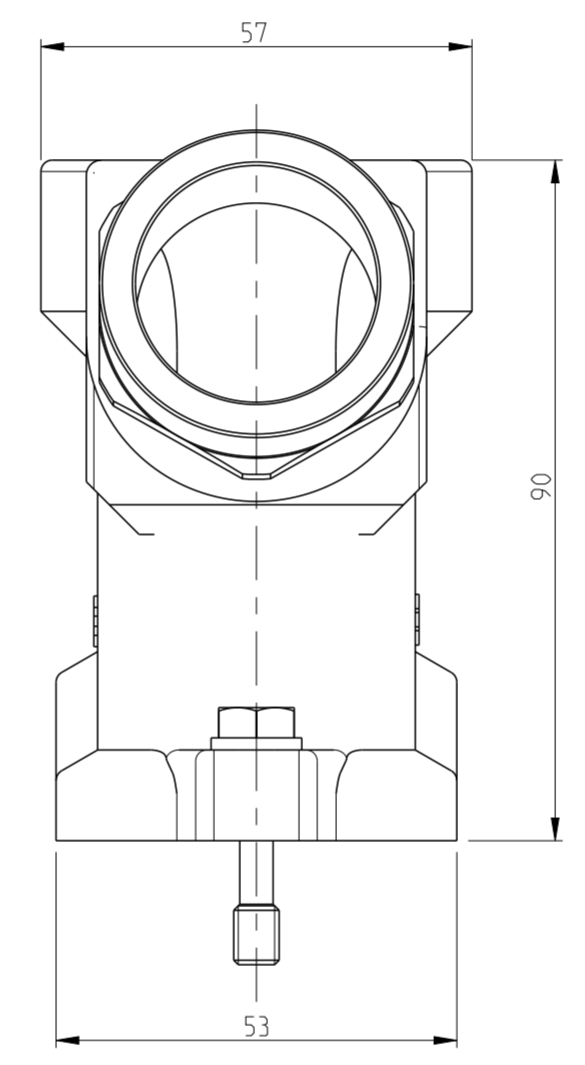
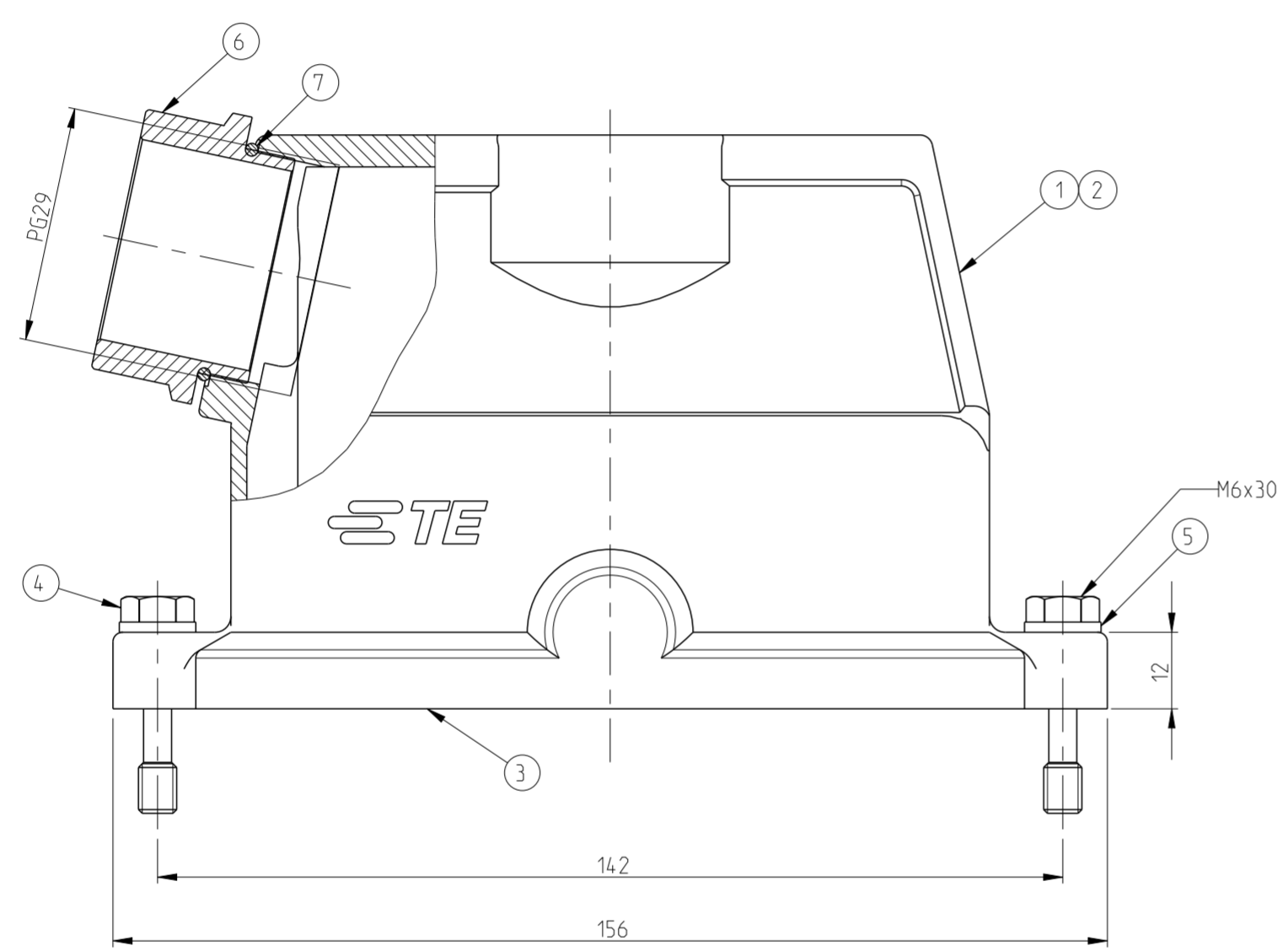
THIS DRAWING IS UNPUBLISHED. RELEASED FOR PUBLICATION .1997  
 © COPYRIGHT 1997 BY - ALL RIGHTS RESERVED.

REVISIONS					
P	LTR	DESCRIPTION	DATE	DWN	APVD
A2		Released as per ECR-07-030419	17.12.07	SP	TS
A3		Released as per ECR-18-004438	05APR2018	GCM	JB

NOTES

- 1 Material: Housing: Aluminium Diecasting Alloy  
Seals: Neoprene
- 2 Surface:- varnish-grey  
Aluminium oxide+  
Varnish black
- 3 Varnish on the inside not necessary
- 4 Packaging quantity: 5 pieces in a box

PN 1-5 & 2-5



QTY	ITEM NO	DESCRIPTION	MATERIAL	SURFACE	COLOR	ITEM NO	REMARKS
1	1	O-Ring Pg 29	Neoprene	-	Black	7	
1	1	Adaptor Pg 29	Brass	Nickel plated	Blue	6	
2	2	Spring washer	Stainless steel	Blank	Blue	5	B6.4
2	2	Fixing screw	Stainless steel	Blank		4	M6x30
1	1	Seal Bg8	Neoprene	-	Black	3	-
1	1	Hood HIP-K	Aluminium	Aluminium oxide	Black	2	
1	1	Hood HIP	Aluminium	-	Grey	1	
2-5	1-5	DESCRIPTION	MATERIAL	SURFACE	COLOR	ITEM NO	REMARKS
ORDERING TEXT							
HIP.24/64.STS.1.29.Z							
HIP-K.24/64.STS.1.29.Z							

THIS DRAWING IS A CONTROLLED DOCUMENT.

DWN Schneider 07.11.02  
 CHK schweiger 07.11.02  
 APVD -

PRODUCT SPEC 108-74030  
 APPLICATION SPEC 114-74017  
 WEIGHT -

**STE** TE Connectivity

NAME Hood HIP size8  
 HIP.24/64.STS.1.29. Z

SIZE A2 CAGE CODE 00779 DRAWING NO C-1102659 RESTRICTED TO

CUSTOMER DRAWING SCALE 1:1 SHEET 1 OF 1 REV A3

DIMENSIONS: mm

TOLERANCES UNLESS OTHERWISE SPECIFIED:

0	PLC	±
1	PLC	±
2	PLC	±
3	PLC	±
4	PLC	±
	ANGLES	±
	FINISH	±

单击下面可查看定价，库存，交付和生命周期等信息

[>>TE Connectivity\(泰科\)](#)