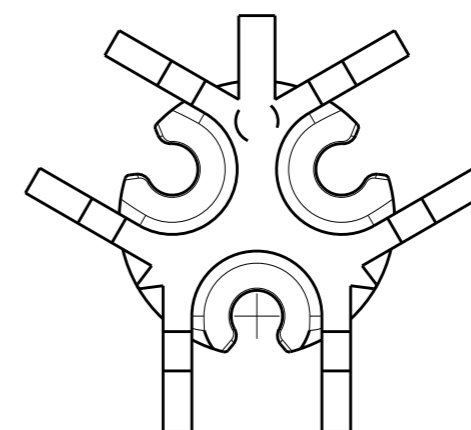
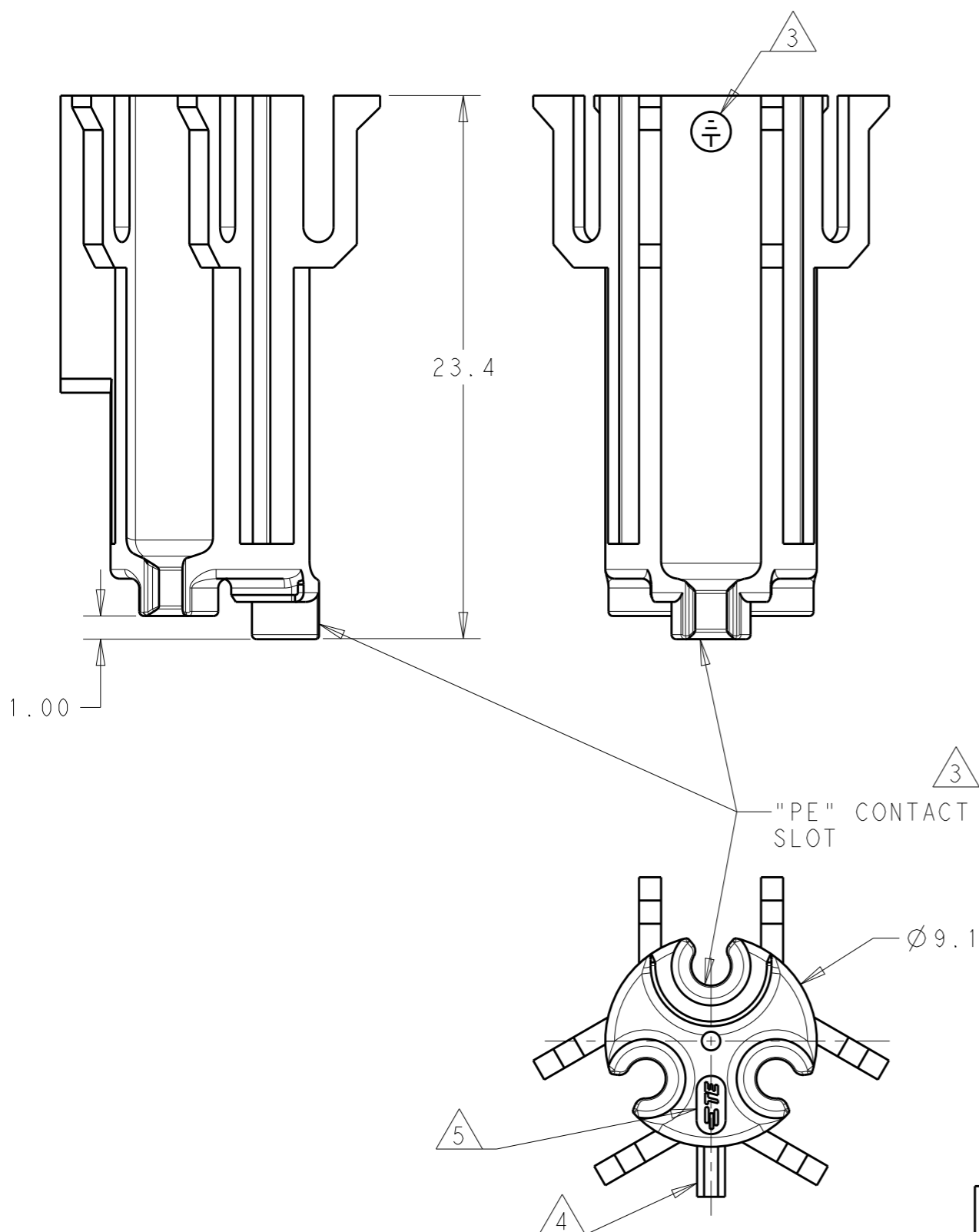


REVISIONS

P	LTR	DESCRIPTION	DATE	DWN	APVD
	A	REVISED AS PER ECR-15-005925	21APR2015	RS	JL
	B	REVISED AS PER ECR-15-011156	31JUL2015	RS	JL


NOTES:

1. MATERIAL: GLASS FILLED PBT, COLOR BLACK
2. MUST COMPLY WITH DIRECTIVE 2002/95/EC (ROHS).
3. "PE" SYMBOL IDENTIFIES "PE" CONTACT SLOT.
4. ASSEMBLY "KEY" ALIGNS WITH "PE" CONTACT SLOT AS SHOWN.
5. TE LOGO
6. THIS PRODUCT HAS NOT COMPLETED VALIDATION TESTING.



1-2213396-1
SHOWN

UL + IEC (DEKRA)	1-2213396-1
AGENCY APPROVALS	PART NO.

THIS DRAWING IS A CONTROLLED DOCUMENT.		DWN J. SHAFFER 31MAR2014	 TE Connectivity	
DIMENSIONS: mm		CHK M. LUKSIC 31MAR2014		
TOLERANCES UNLESS OTHERWISE SPECIFIED:		APVD M. LUKSIC 31MAR2014	NAME POSITIONER FOR CONTACTS NECTOR M-LINE; 3 POSITION	
0 PLC ±-		PRODUCT SPEC 108-133014	SIZE A3	
1 PLC ±0.2		APPLICATION SPEC 114-32111	CAGE CODE -	DRAWING NO C-2213396
2 PLC ±0.13		WEIGHT -	RESTRICTED TO -	
3 PLC ±-		SCALE 2:1		
4 PLC ±-		SHEET 1 OF 1		
ANGLES ±		REV B		
FINISH -		Customer Drawing		
MATERIAL SEE NOTE				

单击下面可查看定价，库存，交付和生命周期等信息

[>>TE Connectivity\(泰科\)](#)