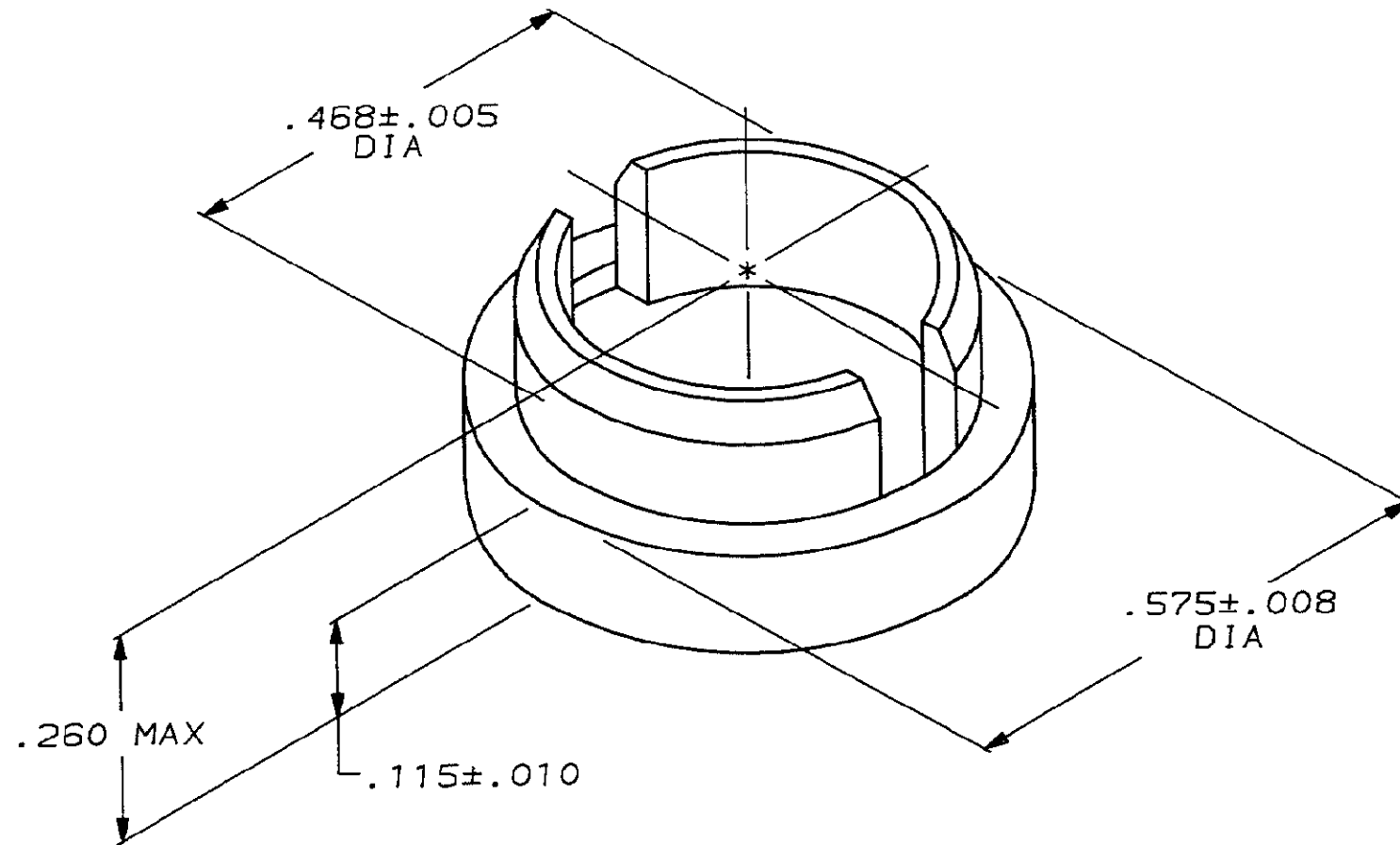


DRAWING MADE IN THIRD ANGLE PROJECTION

THIS DRAWING IS UNPUBLISHED. RELEASED FOR PUBLICATION .19  
 © COPYRIGHT 19 BY AMP INCORPORATED, HARRISBURG, PA. ALL INTERNATIONAL RIGHTS RESERVED. AMP PRODUCTS MAY BE COVERED BY U.S. AND FOREIGN PATENTS AND/OR PATENTS PENDING.

MOD	LOC	DIST
3	AJ	16

P		F		REVISIONS		
ZONE	LTR	DESCRIPTION	DATE	APPROVED		
✓	✓	0	PR 86-3347-032	3-2-87	MS/DH	
✓	✓	A	REV PER AJ-2604	3-23-87	TS/REC	
		B	REV PER AJ-2776	1/9/87	REC	



1. RECOMMENDED PANEL CUTOUT -  $.485 \pm .003$  DIA.
2.  $.125$  MAX PANEL THICKNESS.

222163-1

PART NO

UNLESS OTHERWISE SPECIFIED  
 DIMENSIONS ARE IN INCHES  
 TOLERANCES ON:  
 2 PL DEC ± \_\_\_\_\_  
 3 PL DEC ± \_\_\_\_\_  
 ANGLES ± \_\_\_\_\_

MATERIAL  
 POLYPROPYLENE  
 GENERAL PURPOSE

FINISH

DR M. SNEED 3-2-87

CHK D.S. HEIDE 3-6-87

APPD R.E. CAPP 3-6-87

APPD M. SNEED 3-9-87

PRODUCT SPEC

APPLICATION SPEC

WEIGHT

**AMP**

AMP INCORPORATED  
 Harrisburg, Pa. 17105

NAME  
**BUSHING, INSULATING**

SIZE

**B**

FSCM NO

00779

DRAWING NO

222163

SCALE

5:1

SHEET

1 OF 1

单击下面可查看定价，库存，交付和生命周期等信息

[>>TE Connectivity\(泰科\)](#)