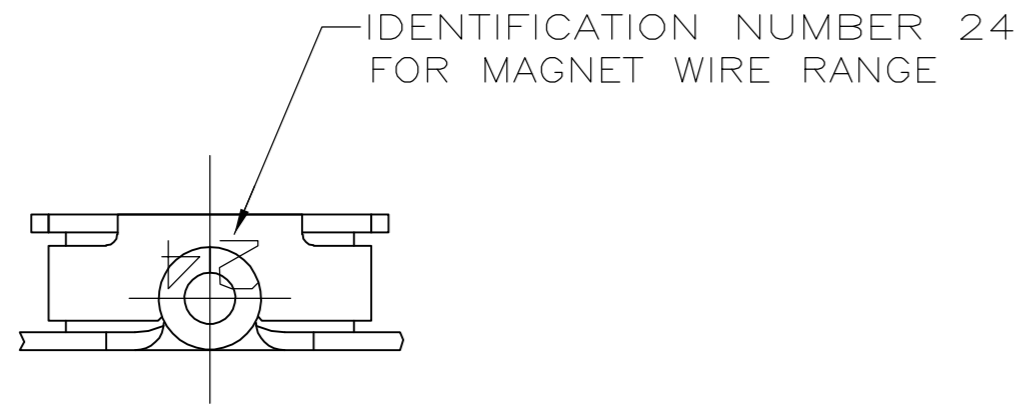
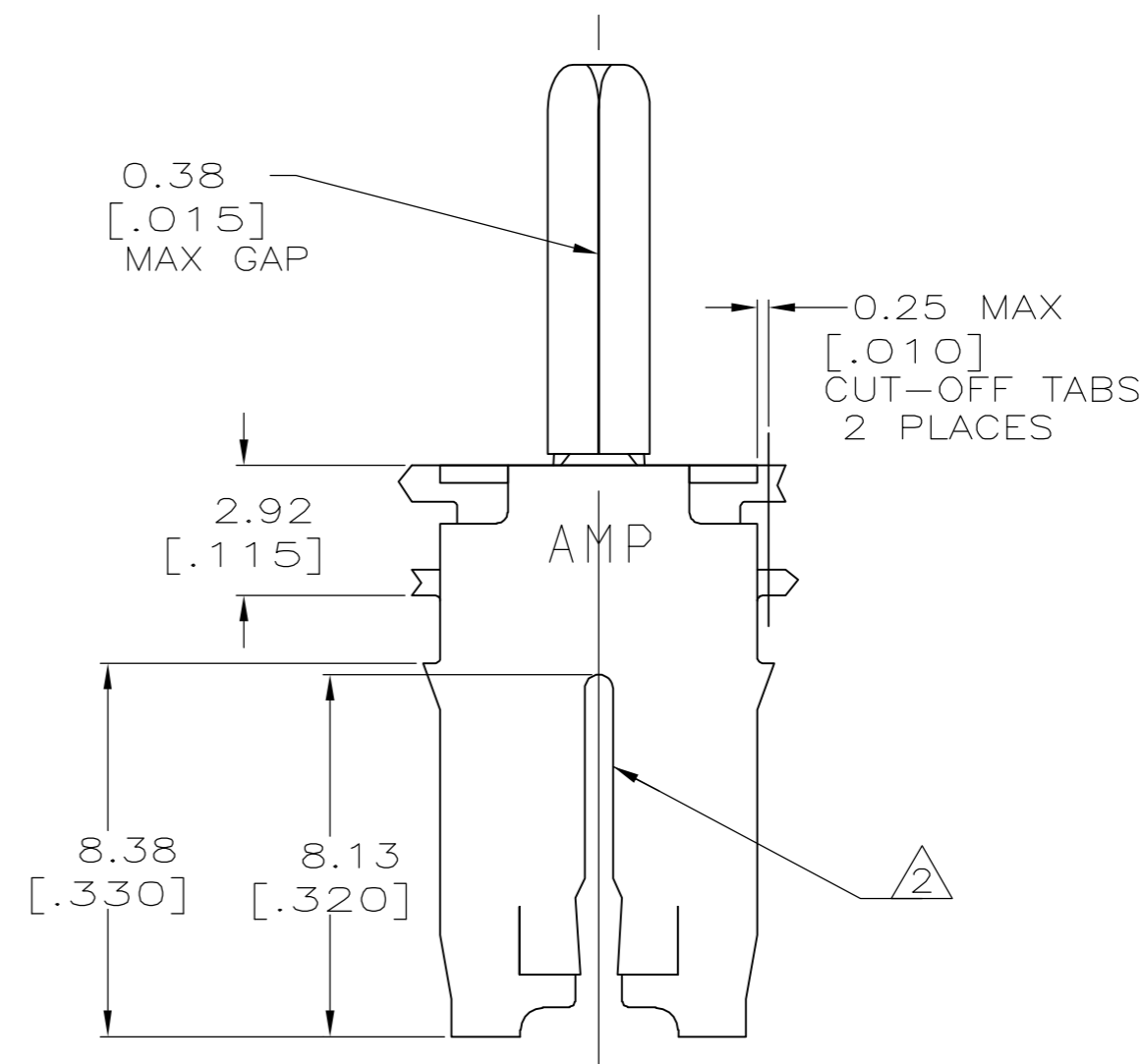
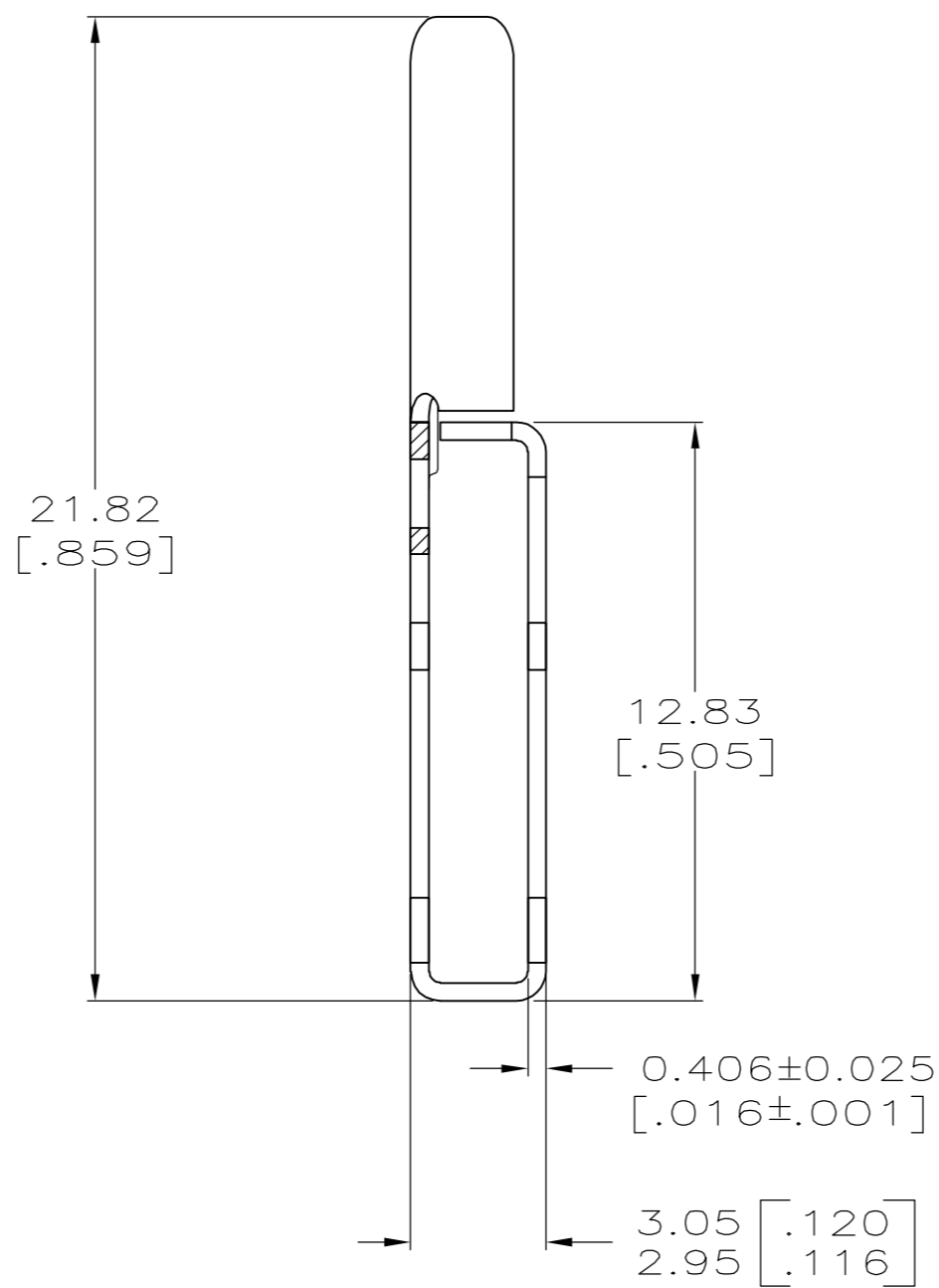
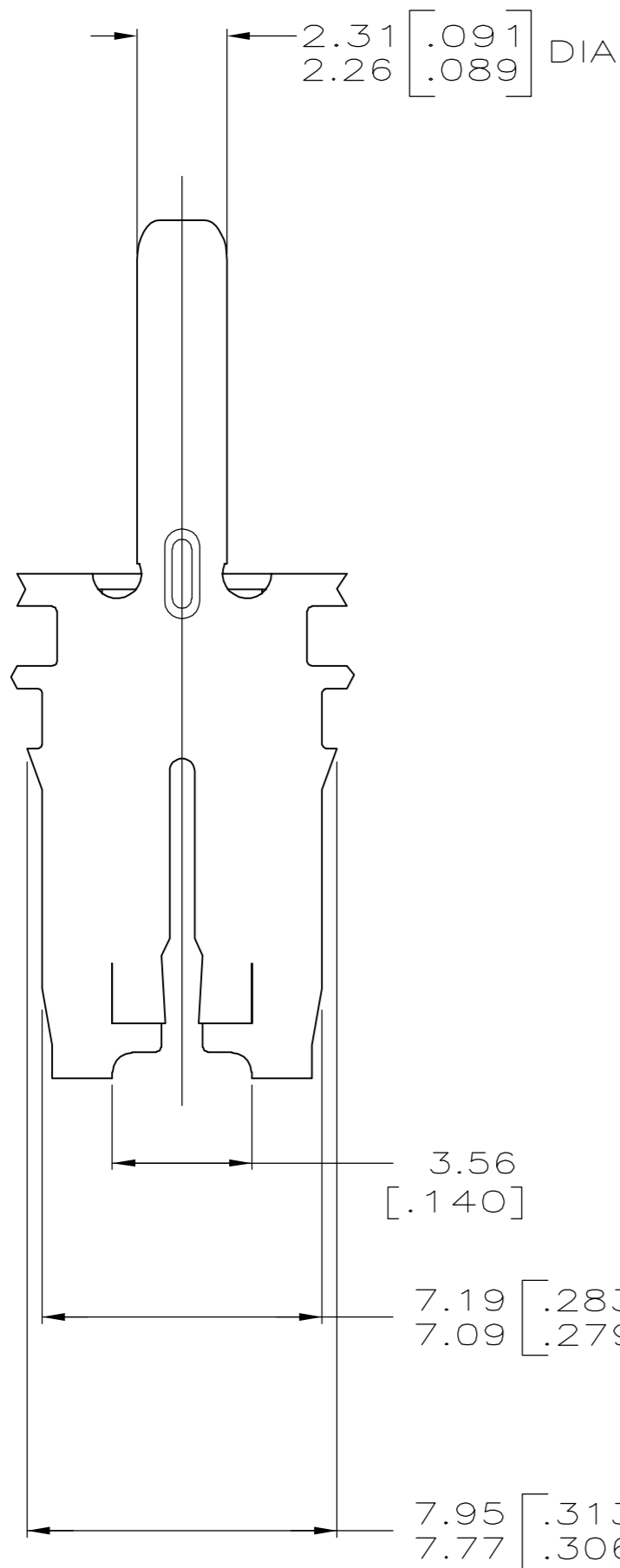


THIS DRAWING IS UNPUBLISHED. RELEASED FOR PUBLICATION
 © COPYRIGHT BY TYCO ELECTRONICS CORPORATION. ALL RIGHTS RESERVED.

LOC	DIST	REVISIONS			
P	LTR	DESCRIPTION	DATE	DWN	APVD
AF	50	F	REVISED PER 0G3A-0203-05	6APR05	MF KR



- 1 CONTINUOUS STRIP ON REELS WITH TERMINALS LOCATED ON 8.38±0.08 [.330±.003] CENTERS.
- 2 SLOT ACCEPTS 0.86-1.15mm [#19.5-#17] AWG COPPER MAGNET WIRE. 2 WIRES OF THE SAME SIZE MAX PER SLOT.
- 3 VARNISH RESIST OVER 0.002032 [.000080] MIN TIN
- 4 PRELIMINARY - NOT FOR PRODUCTION.



082 BRASS	4	63278-2
4M BRASS		63278-1
MATERIAL		PART NUMBER

THIS DRAWING IS A CONTROLLED DOCUMENT.		DWN	10APR97	Tyco Electronics Corporation Harrisburg, Pa 17105-3608
DIMENSIONS: INCHES		CHK	11APR97	
TOLERANCES UNLESS OTHERWISE SPECIFIED:		APVD	14APR97	
0 PLC ± - 1 PLC ± - 2 PLC ± 0.25[.010] 3 PLC ± - 4 PLC ± - ANGLES ± - FINISH - 3		NAME MICHAEL S. FEHER JEFF R. RUTH NELSON E. NEFF PRODUCT SPEC 108-2053 APPLICATION SPEC 114-2066 WEIGHT - CUSTOMER DRAWING	NAME PIN, 2.29[.090] DIA, 500 SERIES MAG-MATE - SIZE A2 CAGE CODE 00779 DRAWING NO C=63278 RESTRICTED TO - SCALE 6:1 SHEET 1 OF 1 REV F	

单击下面可查看定价，库存，交付和生命周期等信息

[>>TE Connectivity\(泰科\)](#)