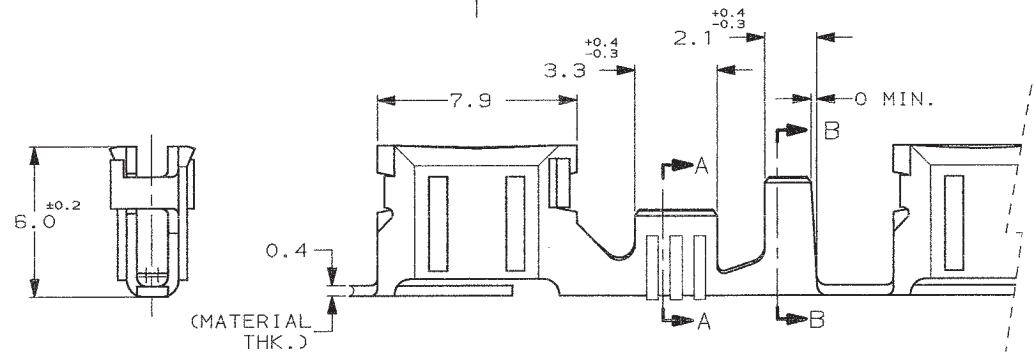
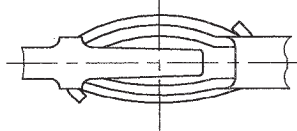
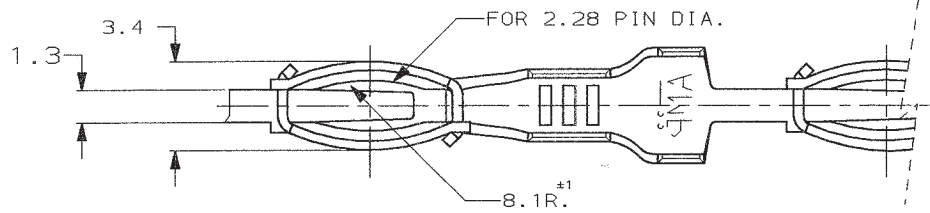


SCALA NON IMPEGNATIVA  
(DO NOT SCALE)  
DIMENSIONI IN mm  
(DIMENSIONS IN mm)

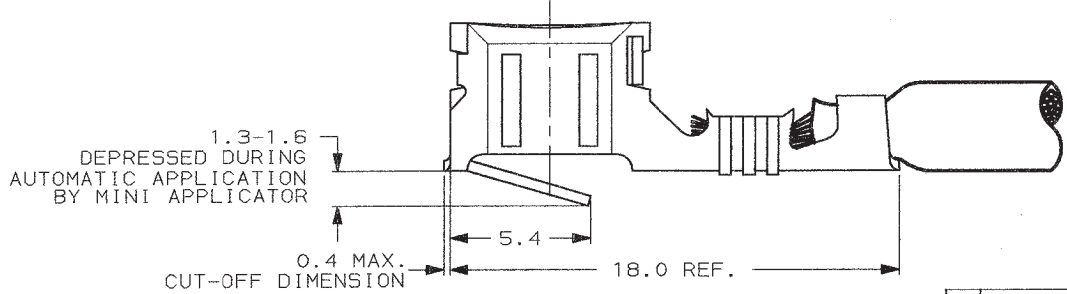
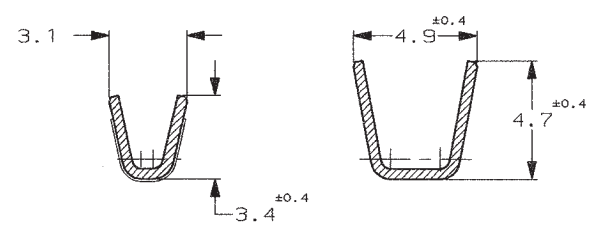
**METRIC**

PROIEZIONE EUROPEA  
(EUROPEAN PROJECTION)



SEZIONE A-A  
(SECTION A-A)

SEZIONE B-B  
(SECTION B-B)



STAGNATO (TIN PLATED)	BRONZO FOSF. (PH. BRONZE)	0-160640-2	Z
NUDO (UNPLATED)	BRONZO FOSF. (PH. BRONZE)	0-160640-1	Z
FINITURA / COLORE (FINISH / COLOUR)	MATERIALE (MATERIAL)	NUMERO (AMP P/N)	REV

CUSTOMER DWG. FOR REFERENCE ONLY      DISEGNO PER CLIENTE SOLO PER RIFERIMENTO

THIS DRAWING IS UNPUBLISHED. RELEASE FOR PUBLICATION 19  
© COPYRIGHT 19 BY AMP INCORPORATED, HARRISBURG, PA. ALL INTERNATIONAL RIGHT RESERVED. AMP PRODUCTS MAY BE COVERED BY U.S. AND FOREIGN PATENT AND/OR PATENT PENDING

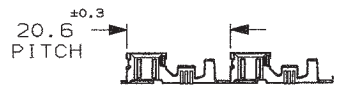
TOLLERANZE, SE NON DIVERSAMENTE SPECIFICATO (TOLERANCES, UNLESS OTHERWISE SPECIFIED)	DIAM. ISOLANTE (INS. DIA. RANGE) mm	RANGO FILO (WIRE RANGE)	SCALA (SCALE)
± 0.3	3.4-4.1	18-16 AWG (0.8-1.5 mm <sup>2</sup> ) REF.	5:1

ANGOLI (ANGLES) ± 2°  
DIS. H. YAALI (DR.) 11 JAN 2000  
CONT. C. TARTARI (CHKD) 11 JAN 2000

DESCRIZIONE (DESCRIPTION)  
**SNAP-IN CLUSTER REC. CONTACT**

REV. (REV.)	REV. (REV.)	LOC. (LOC.)	SIZE (SIZE)	NUMERO (DWG NO)	REV. (REV.)	FOGLIO (SHEET)
Z1	Z	I	A3	C-160640	Z1	1 OF 1

1) STATO DI FORNITURA -SCALA 1:1-  
(SUPPLY CONDITION -SCALE 1:1-)



SENSO DI USCITA DEL TERMINALE DALLA BOBINA (DIRECTION OFF TOP OF REEL)

2) CONFEZIONATO IN ACCORDO ALLA AMP SPEC. 107-20211.  
(PACKAGING ACCORDING TO AMP SPEC. 107-20211).

3) REELED WITH INTERLEAVE PAPER.

DISTRIBUZIONE (PRINT-DIST.)

单击下面可查看定价，库存，交付和生命周期等信息

[>>TE Connectivity\(泰科\)](#)