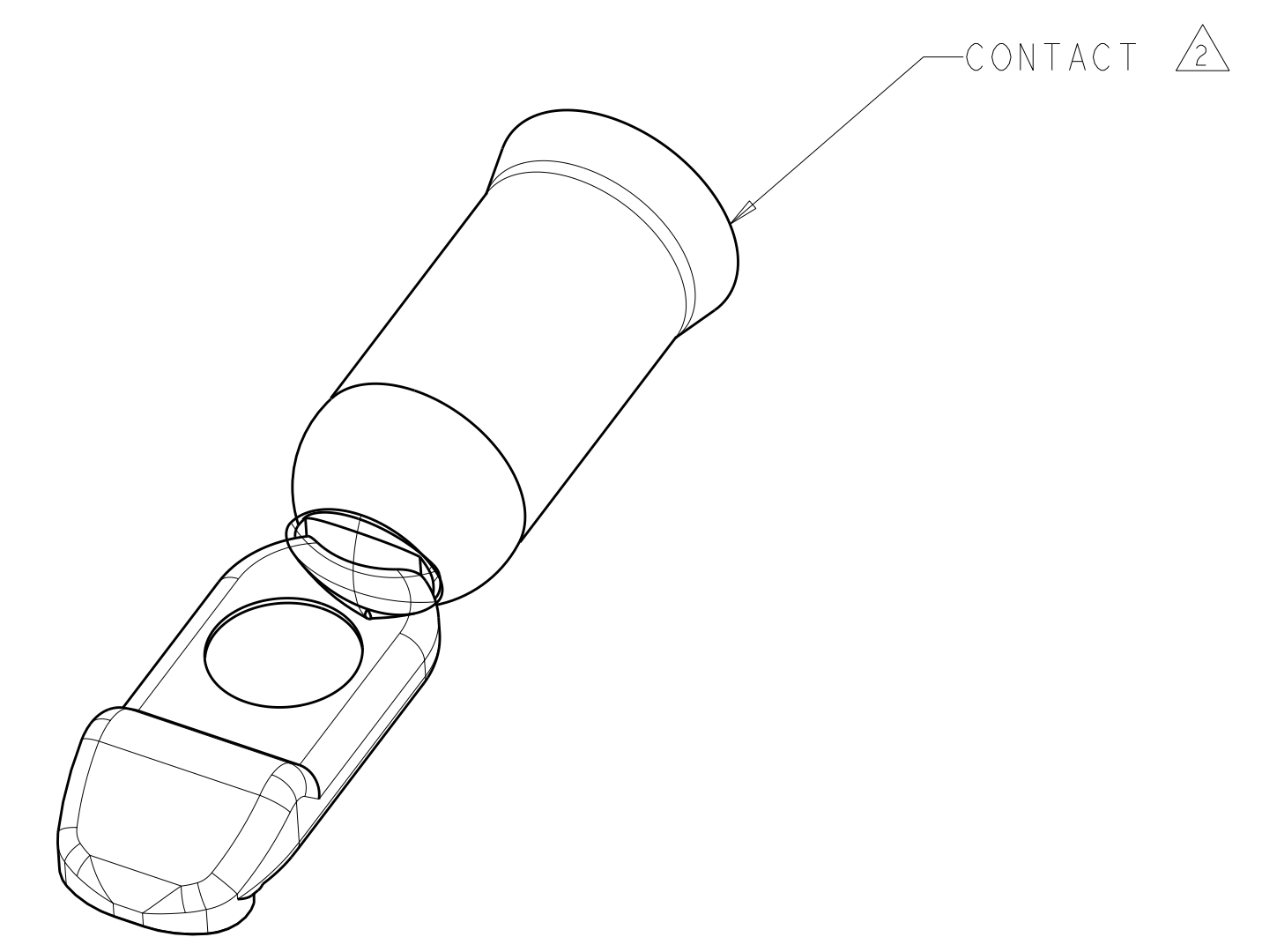
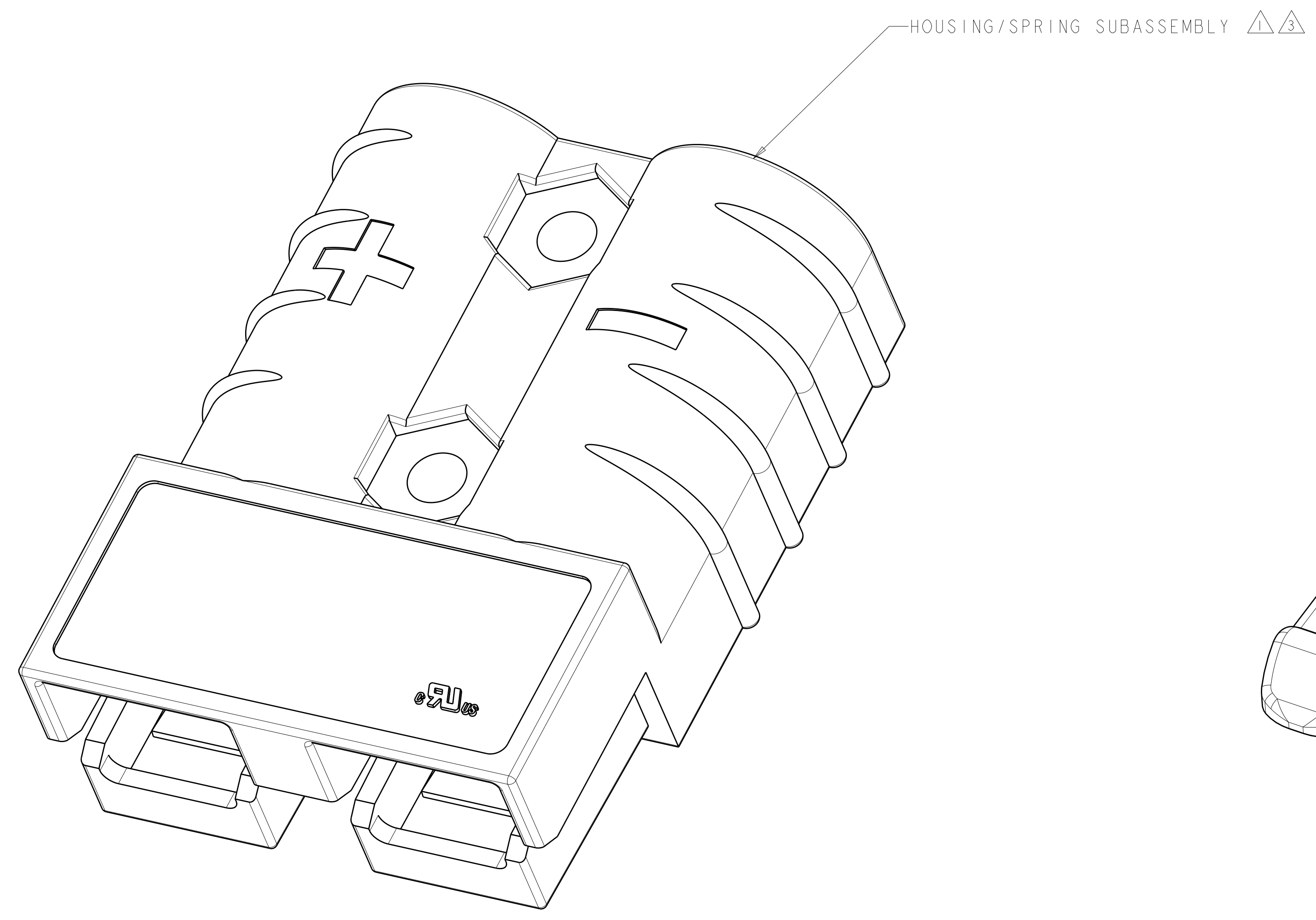


LOC	DIST	REVISIONS					
CM	00	P	LTR	DESCRIPTION	DATE	DWN	APVD
		01		REVISED PER ECR-10-010379	25MAY2010	HMR	JR

- △ HOUSING MATERIAL: POLYCARBONATE UL 94 V-0
- △ CONTACT MATERIAL: COPPER
PLATING: SILVER
- △ 647891-4 (COLOR GRAY) AND 647891-7 (COLOR BLACK)
KEY DETAIL ARE SHOWN.
- 4. A KIT INCLUDES 1 HOUSING SPRING ASSEMBLY AND 2 CONTACTS.



647878-1	647845-8 (YELLOW)	647891-8
647878-1	647845-7 (BLACK)	647891-7
647878-1	647845-5 (BLUE)	647891-5
647878-1	647845-4 (GRAY)	647891-4
647878-1	647845-3 (RED)	647891-3
△ CONTACT	△ HOUSING/SPRING SUBASSEMBLY	KIT P/N

<small>THIS DRAWING IS UNPUBLISHED. RELEASED FOR PUBLICATION. ALL RIGHTS RESERVED. THIS IS SUBJECT TO CHANGE WITHOUT NOTICE AND WITHOUT OBLIGATION. SHOULD BE CONTACTED FOR THE LATEST REVISION.</small>		DWN SHANE WIESE 15JUN2001 CHK K. KETELSLEGER 15JUN2001 APVD K. KETELSLEGER 15JUN2001	Tyco Electronics Harrisburg, PA 17105-3608
DIMENSIONS: mm 	TOLERANCES UNLESS OTHERWISE SPECIFIED: 0 PLC ± 1 PLC ± 2 PLC ± 3 PLC ± 4 PLC ± ANGLES ± FINISH ±	NAME CONNECTOR KIT, AMP POWER SERIES 50, 8 AWG PRODUCT SPEC - APPLICATION SPEC - WEIGHT - CUSTOMER DRAWING	SIZE A1 CAGE CODE 00779 DRAWING NO. C=647891 RESTRICTED TO - SCALE 5:1 SHEET 1 OF 1 REV 01

单击下面可查看定价，库存，交付和生命周期等信息

[>>TE Connectivity\(泰科\)](#)