

CODE 18 - BRAID TAIL BACKSHELL

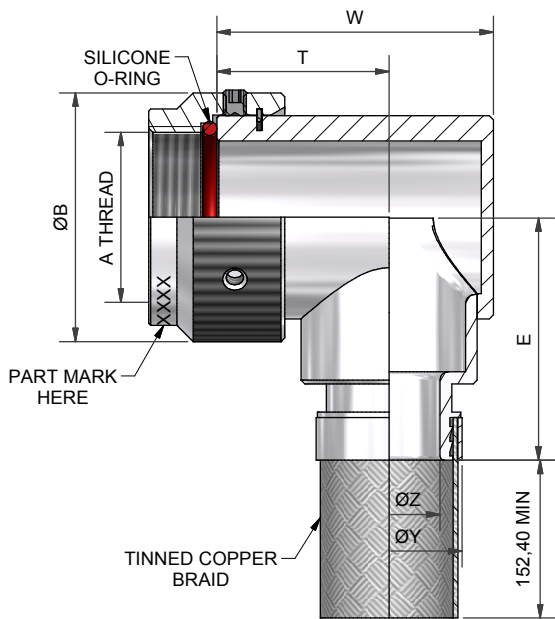
218M916-19B08

SERIES
 ORDER NUMBER (TABLE 1)
 MANUFACTURER CODE (TABLE 3)
 MATERIAL
 REFER TO CH00-0250-004
 FINISH
 REFER TO CH00-0250-004 (2)
 ENTRY SIZE (TABLE 2)

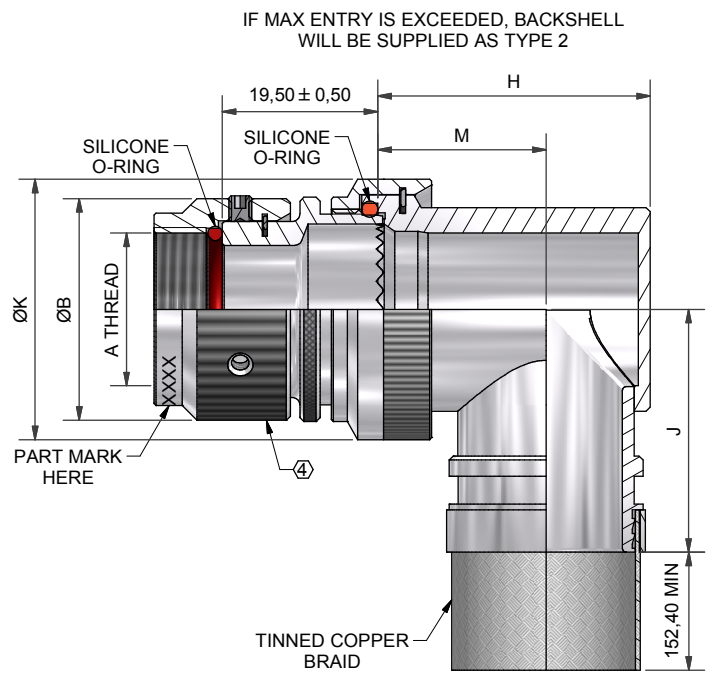
NOTES:

1. THIS PRODUCT IS DESIGNED TO TERMINATE A HEAT SHRINKABLE LIPPED BOOT TO A CONNECTOR.
- (2) FOR ADDITIONAL DIMENSIONS, ORDERING INFORMATION AND MODIFICATION, SEE CH00-0250-004.
3. BACKSHELL TO BE PERMANENTLY MARKED/BAGGED AND LABELLED WITH CODE IDENTIFICATION NUMBER AND PART NUMBER. (e.g. 06090-218M916-19B08).
- (4) WHEN ENTRY SIZE EXCEEDS "MAX ENTRY", A 2 PIECE BACKSHELL (TYPE 2) IS SUPPLIED.
5. BACKSHELL MATES TO MIL-DTL-5015D, CLASS A, E & R, MS3100, MS3101 & MS3106. RESILIENT INSERT, SOLDER TYPE AND BENDIX 10-214, CANNON CA-RX COMMERCIAL CRIMP TYPE.
6. BRAID TERMINATION RING MAY BE SUPPLIED AS TINEL-LOCK SHAPE MEMORY RING AT MANUFACTURERS OPTION.
- (7) ALL THREAD SIZES FOR ORDER NO. APPLY.
- (8) ADDITIONAL PIECE(S) SUPPLIED WHEN CONNECTOR MFR IS UNKNOWN ("D" IN TABLE 3) AND ENTRY SIZE DOES NOT EXCEED VALUE IN TABLE 1.
- (9) ANTI-ROTATIONAL SET SCREW, THREE #4-40 THREADED HOLES 120° ±5° APART, SINGLE MATING SET SCREW SUPPLIED.

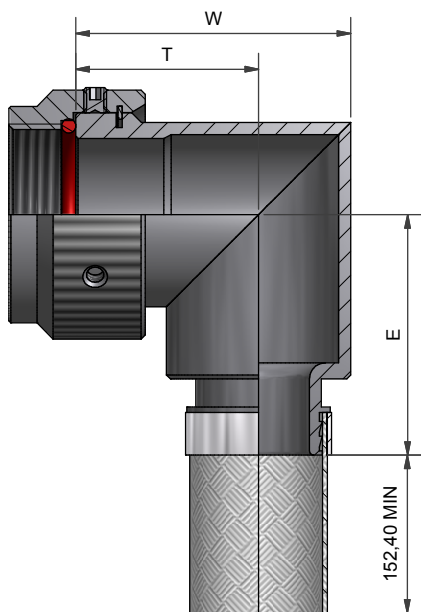
DRAWN	B.VESA	DATE 08/10/2015	 3RD ANGLE PROJECTION NOT TO SCALE	TITLE: BRAID TAIL BACKSHELL	 Polanco 	
CHECKED		08/10/2015				
APPROVED	K.SHEPPARD	16/10/2015				UNLESS OTHERWISE SPECIFIED ALL DIMENSIONS IN MILLIMETRES GENERAL TOL LINEAR +/-0.25MM ANGULAR +/- 1°
APPROVED	H.SMITH	23/10/2015				
REVISIONS				ASSY USED ON: MIL-DTL-5015D		
LTR	DESCRIPTION	DATE	APPROVED			
D	REVISED PER ECO-14-008400	04.06.14	I.MYONG			
E	REVISED PER ECO-15-015326	23.10.15	H.SMITH			
TE CAGE CODE: 06090 POLAMCO/TE CAGE CODE: U5792				TE CONNECTIVITY - POLAMCO LTD RESERVES THE RIGHT TO AMEND THIS DRAWING AND TO INDEP. Downloaded From Oneyac.com	DRAWING NO: 218M9XX	
				DRAWING REV: E	SHT 1	



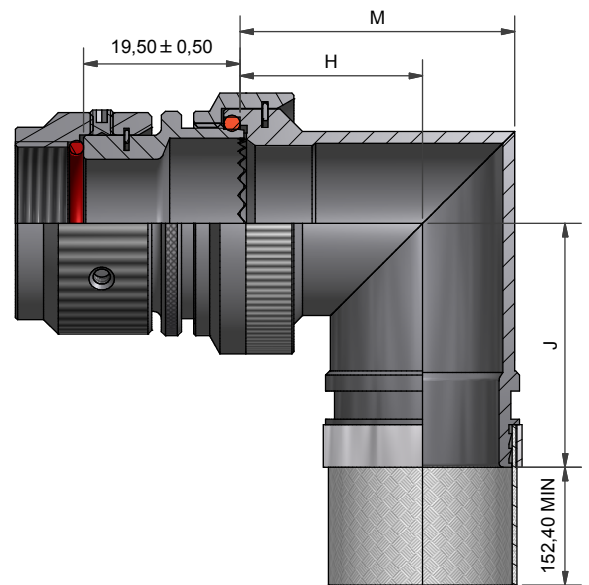
90° BACKSHELL - TYPE 1



90° BACKSHELL - TYPE 2



90° BACKSHELL - TYPE 1
STAINLESS STEEL AND
NICKEL ALUMINIUM BRONZE



90° BACKSHELL - TYPE 2
STAINLESS STEEL AND
NICKEL ALUMINIUM BRONZE

DRAWN	B.VESA	DATE	08/10/2015
CHECKED		DATE	08/10/2015
APPROVED	K.SHEPPARD	DATE	16/10/2015
APPROVED	H.SMITH	DATE	23/10/2015
REVISIONS			
LTR	DESCRIPTION	DATE	APPROVED
D	REVISED PER ECO-14-008400	04.06.14	I.MYONG
E	REVISED PER ECO-15-015326	23.10.15	H.SMITH



3RD ANGLE
PROJECTION
NOT TO
SCALE

UNLESS OTHERWISE SPECIFIED
ALL DIMENSIONS IN MILLIMETRES
GENERAL TOL
LINEAR +/-0,25MM
ANGULAR +/- 1°

TITLE:

BRAID TAIL BACKSHELL

ASSY USED ON:

MIL-DTL-5015D



TE CONNECTIVITY - POLAMCO LTD RESERVES THE RIGHT TO AMEND THIS DRAWING AND THEREOF IN THEIR APPLICATION.

DRAWING NO:
218M9XX

DRAWING REV:
E

SHT
2

TE CAGE CODE: 06090
POLAMCO/TE CAGE CODE: U5792

Downloaded From Oneyac.com

THESE DIMENSIONS APPLY IF BACKSHELL IS STAINLESS STEEL OR NICKEL ALUMINIUM BRONZE

TABLE 1

ORDER NUMBER	SHELL SIZE	MFR CODE TABLE 3	MAX ENTRY (4)	A THREAD	ØB MAX	W ±0,5	T ±0,5	E ±0,5	W ±0,5	T ±0,5	E ±0,5
08	8S	B	04	3/8-32 UNEF	18,5	21,7	15,2	24,0	21,7	15,2	24,0
	8S	C	04	7/16-28 UNEF	18,1	21,7	15,2	24,0	21,7	15,2	24,0
	8S	A, R	04	7/16-27 UNS	18,5	21,7	15,2	24,0	21,7	15,2	24,0
	8S	D (8)	04	(7)	18,5	21,7	15,2	24,0	21,7	15,2	24,0
10	10S	-	06	1/2-28 UNEF	19,8	23,2	15,7	25,7	23,2	15,7	25,7
11	10SL	C	07	9/16-24 UNEF	21,6	25,0	16,5	25,7	27,2	17,5	25,7
	10SL	A, B, R	07	5/8-24 UNEF	23,2	27,2	17,5	25,7	27,2	17,5	25,7
	10SL	D (8)	07	(7)	23,2	27,2	17,5	25,7	27,2	17,5	25,7
12	12 & 12S	B, C	08	5/8-24 UNEF	23,0	27,2	17,5	26,3	27,2	17,5	27,0
	12 & 12S	A, R	08	11/16-24 UNEF	24,9	27,2	17,5	26,3	27,2	17,5	27,0
	12 & 12S	D (8)	08	(7)	24,9	27,2	17,5	26,3	27,2	17,5	27,0
14	14 & 14S	-	10	3/4-20UNEF	27,7	30,7	19,5	28,7	30,7	19,5	28,7
16	16 & 16S	-	12	7/8-20 UNEF	30,1	34,2	21,5	30,4	34,2	21,5	30,4
18	18	-	13	1-20 UNEF	34,4	37,2	23,0	32,0	37,2	23,0	32,0
20	20	A, B, C	16	1 1/8-18 UNEF	37,6	40,7	24,5	33,6	40,7	24,5	33,6
	20	R	16	1 1/8-24 UNS	37,6	40,7	24,5	33,6	40,7	24,5	33,6
	20	D (8)	16	(7)	37,6	40,7	24,5	33,6	40,7	24,5	33,6
22	22	-	18	1 1/4-18 UNEF	40,6	43,7	26,0	35,1	43,7	26,0	35,1
24	24	-	20	1 3/8-18 UNEF	43,6	46,7	27,5	36,6	46,7	27,5	36,6
28	28	-	24	1 5/8-18 UNEF	48,6	51,7	30,0	39,1	51,7	30,0	39,1
32	32	B, C	24	1 7/8-16 UN	54,9	58,4	32,7	42,3	58,4	32,2	42,3
	32	A, R	24	1 29/32-18 UN	54,9	58,4	32,7	42,3	58,4	32,2	42,3
	32	D (8)	24	(7)	54,9	58,4	32,7	42,3	58,4	32,2	42,3
36	36	B	28	2 1/16-16 UNS	64,6	67,7	38,0	47,1	67,7	38,0	47,1
	36	R	28	2 1/16-20 UNS	64,6	67,7	38,0	47,1	67,7	38,0	47,1
	36	C	28	2 1/8-16 UN	64,6	67,7	38,0	47,1	67,7	38,0	47,1
	36	A	28	2 1/8-18 UNS	64,6	67,7	38,0	47,1	67,7	38,0	47,1
	36	D (8)	28	(7)	64,6	67,7	38,0	47,1	67,7	38,0	47,1
40	40	B	28	2 5/16-16 UN	70,6	72,2	41,1	49,3	72,2	41,1	49,3
	40	A, C, R	28	2 3/8-16UN	70,6	72,2	41,1	49,3	72,2	41,1	49,3
	40	D (8)	28	(7)	69,3	72,2	41,1	49,3	72,2	41,1	49,3
44	44	-	28	2 5/8-16 UN	82,0	77,6 MAX	41,1	61,5 MAX	72,2	41,1	61,5 MAX
48	48	C	28	2 13/16-18 UNS	82,0	84,0 MAX	44,1	61,5 MAX	75,5	40,8	61,5 MAX
	48	A, R	28	2 7/8-16 UN	82,0	84,0 MAX	47,2	61,5 MAX	75,5	40,8	61,5 MAX
	48	D (8)	28	(7)	82,0	84,0 MAX	47,2	61,5 MAX	75,5	40,8	61,5 MAX

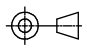
THESE DIMENSIONS APPLY IF BACKSHELL IS STAINLESS STEEL OR NICKEL ALUMINIUM BRONZE

TABLE 2

ENTRY SIZE	ØK MAX	ØZ REF	ØY REF	H ±0,5	M ±0,5	J ±0,5	H ±0,5	M ±0,5	J ±0,5
03	NA	4,77	13,1	NA	NA	NA	NA	NA	NA
04	NA	6,35	13,1	NA	NA	NA	NA	NA	NA
05	21,0	7,92	13,1	24,0	15,5	25,7	24,3	17,2	25,7
06	21,0	9,52	17,9	24,0	15,5	25,7	24,3	17,2	25,7
07	21,0	11,12	17,9	24,0	15,5	25,7	24,3	17,2	25,7
08	24,5	12,70	17,9	27,0	17,0	27,2	28,3	19,4	27,2
09	24,5	14,27	17,9	27,0	17,0	27,2	28,3	19,4	27,2
10	29,0	15,87	24,2	31,0	19,5	28,7	31,1	21,0	28,7
11	32,5	17,47	24,2	34,0	21,0	30,4	34,2	22,8	30,4
12	32,5	19,05	24,2	34,0	21,0	30,4	34,2	22,8	30,4
13	35,5	20,62	24,2	35,0	20,0	32,1	38,5	25,3	32,1
14	35,5	22,23	30,6	35,0	20,0	32,1	38,5	25,3	32,1
15	37,0	23,82	30,6	38,0	21,5	33,7	40,7	26,1	33,7
16	37,0	25,40	30,6	38,0	21,5	33,7	40,7	26,1	33,7
17	40,0	26,98	33,2	42,0	24,0	35,2	43,7	27,6	35,2
18	40,0	28,60	33,2	42,0	24,0	35,2	43,7	27,6	35,2
20	43,5	31,80	42,0	45,0	25,5	36,7	46,4	29,1	36,7
21	48,5	33,34	42,0	54,5	31,0	39,8	50,0	31,0	39,8
22	48,5	35,00	42,0	54,5	31,0	39,8	50,0	31,0	39,8
24	52,1	38,10	42,0	58,0	33,0	43,8	53,5	33,0	43,8
28	58,5	44,45	49,0	65,5	36,5	48,9	60,3	36,5	48,9

TABLE 3

MFR CODE	CONNECTOR MANUFACTURER (MS 3100, MS 3101 & MS 3106)
A	AMPHENOL - CLASS A
B	BENDIX - CLASS A, E & R
C	CANNON - CLASS A, E & R
D	MFR UNKNOWN, CLASS A, E & R
R	AMPHENOL - CLASS R
-	MFR CODE NOT REQUIRED

DRAWN	B.VESA	DATE	08/10/2015	 3RD ANGLE PROJECTION NOT TO SCALE UNLESS OTHERWISE SPECIFIED ALL DIMENSIONS IN MILLIMETRES GENERAL TOL LINEAR +/-0,25MM ANGULAR +/- 1°
CHECKED		DATE	08/10/2015	
APPROVED	K.SHEPPARD	DATE	16/10/2015	
APPROVED	H.SMITH	DATE	23/10/2015	
REVISIONS				
LTR	DESCRIPTION	DATE	APPROVED	
D	REVISED PER ECO-14-008400	04.06.14	I.MYONG	
E	REVISED PER ECO-15-015326	23.10.15	H.SMITH	

TITLE:		BRAID TAIL BACKSHELL	
ASSY USED ON:		MIL-DTL-5015D	
TE CONNECTIVITY - POLAMCO LTD RESERVES THE RIGHT TO AMEND THIS DRAWING AND TO INDEP			



Polamco



TE connectivity

单击下面可查看定价，库存，交付和生命周期等信息

[>>TE Connectivity\(泰科\)](#)