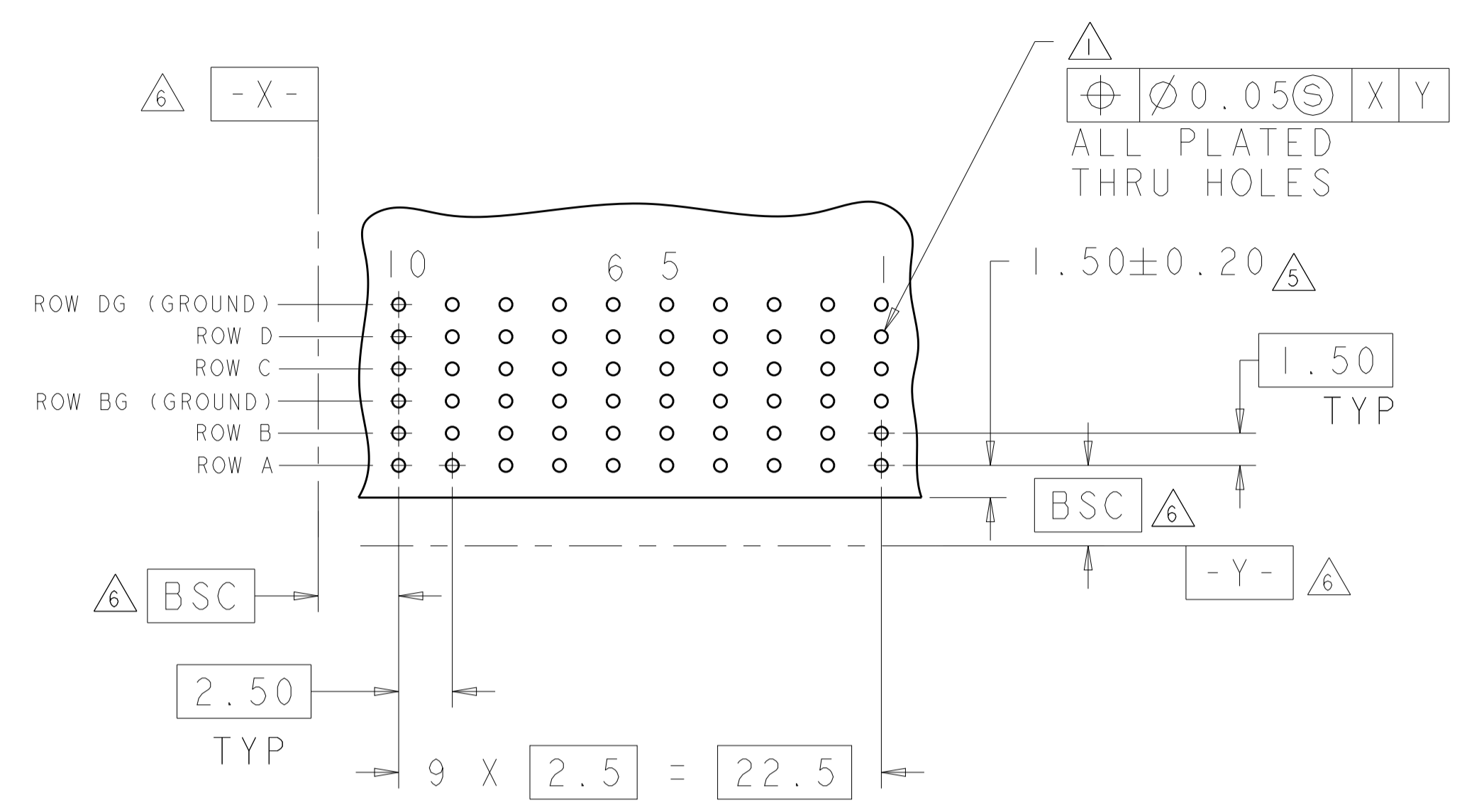
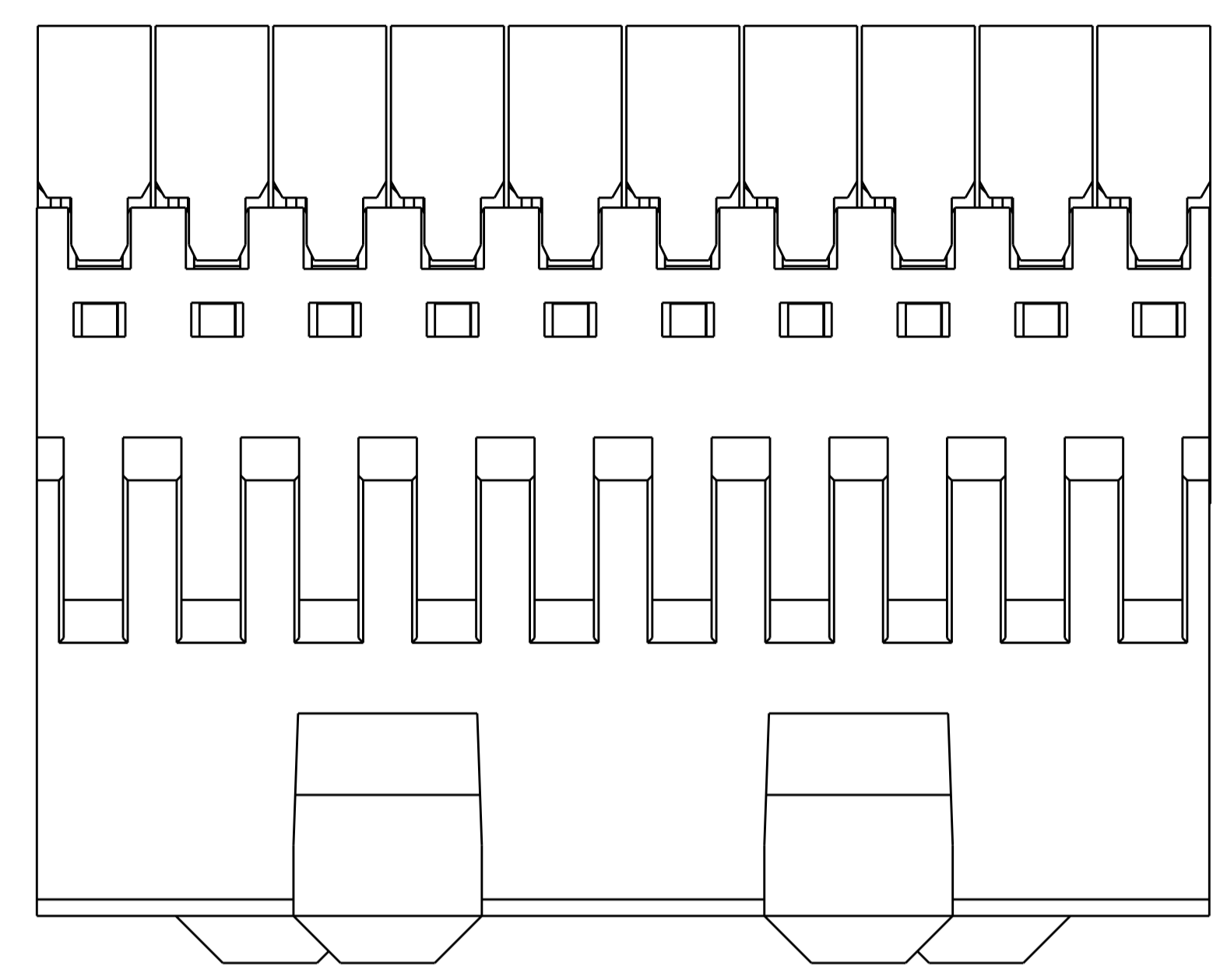
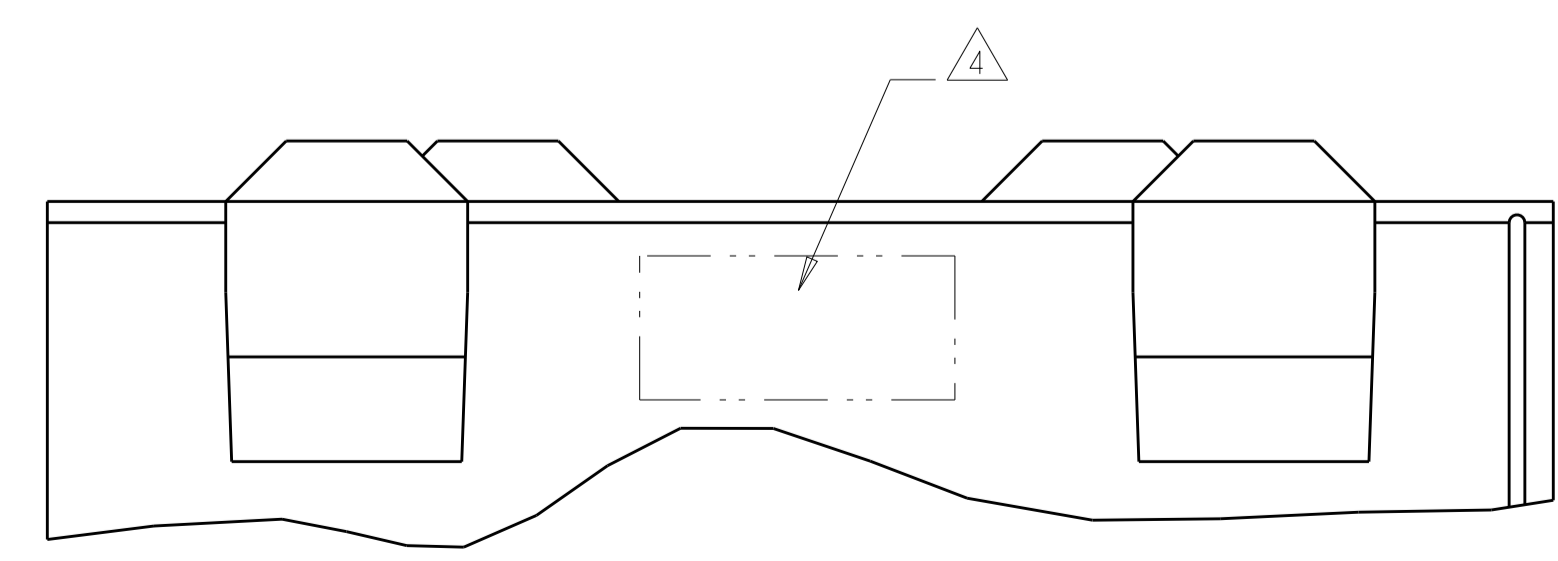
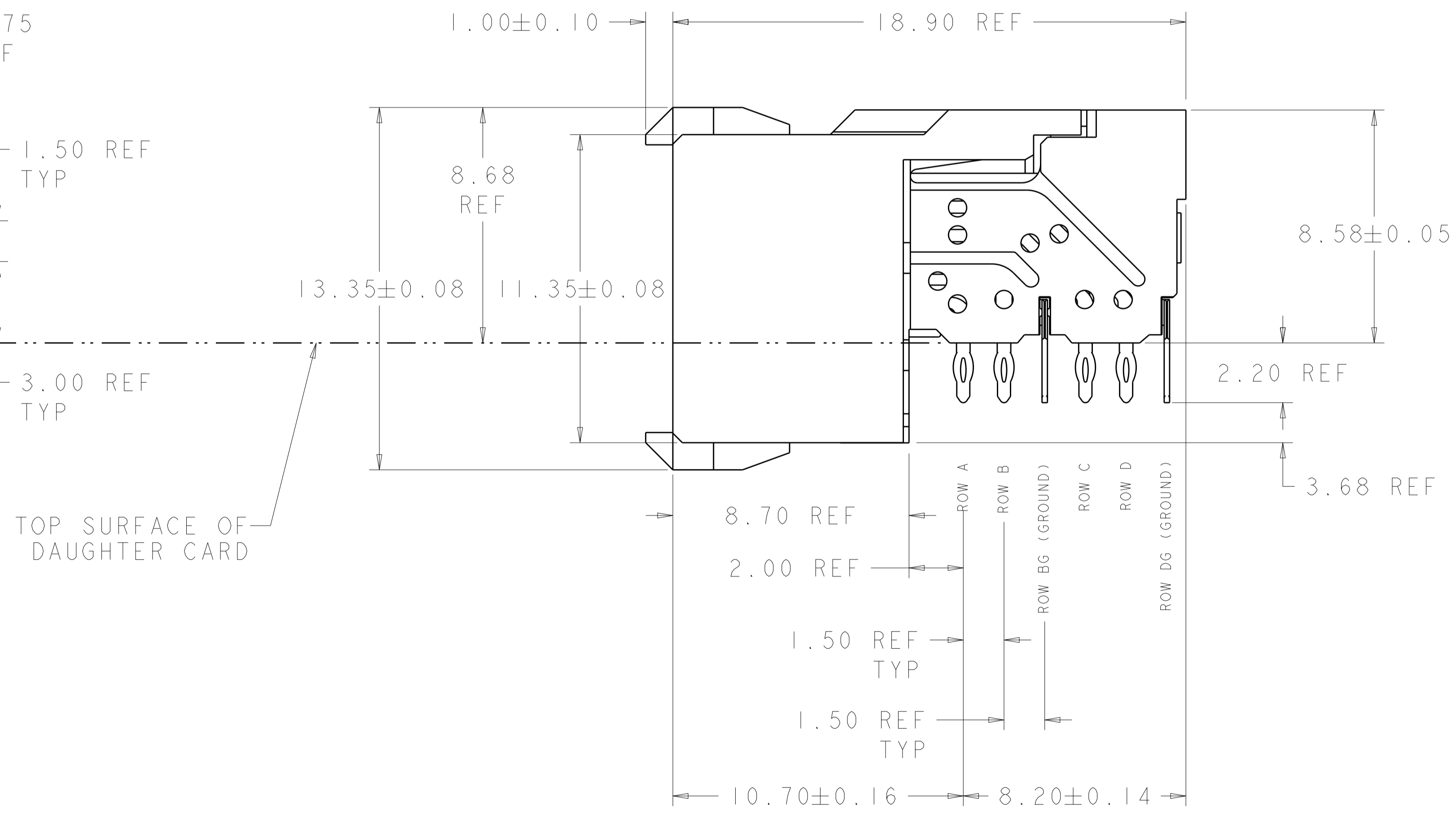
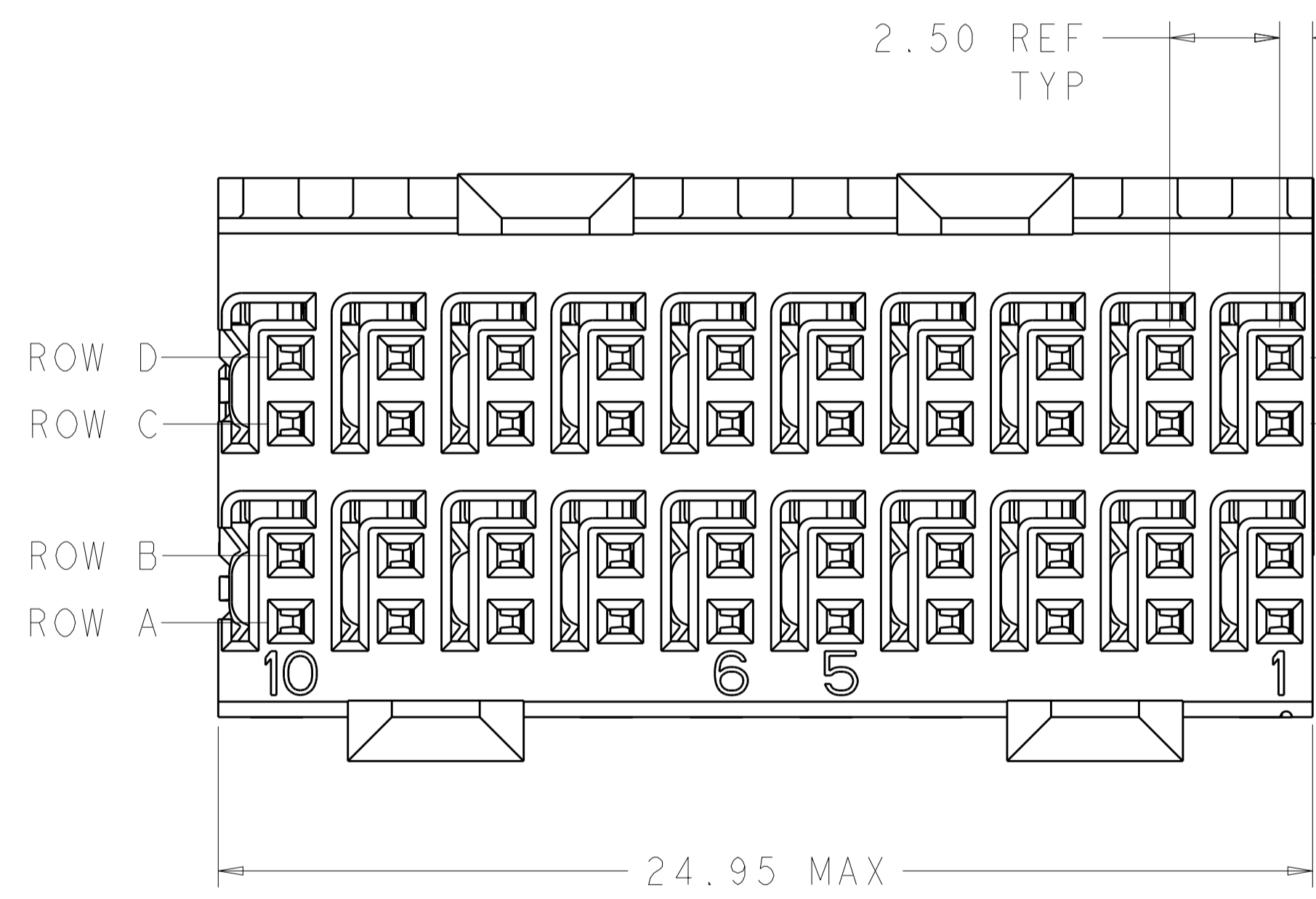


REVISIONS				
P.	LTN	DESCRIPTION	DATE	APV
D		REVISED PER ECO-14-005095	12APR2014	AP RP
E		REVISED PER ECO-16-008845	23SEP2016	AP RP



- △ REFERENCE APPLICATION SPEC 114-13059 FOR RECOMMENDED PLATED THRU HOLE DIAMETER AND PLATING THICKNESSES.
 - △ MATERIAL:
SHIELD - PHOSPHOR BRONZE
CONTACT - COPPER-NICKEL-SILICON
HOUSING, CHICKLET AND CHICKLET COVER - GLASS FILLED POLYESTER, UL 94V-0 RATED.
 - △ FINISH: SIGNAL AND GROUND CONTACTS:
MATING AREA: MEETS THE PERFORMANCE REQUIREMENTS OF PRODUCT SPECIFICATION 108-2055; BASED ON TELCORDIA GR-1217-CORE, APPLICATIONS IN UNCONTROLLED ENVIRONMENTS
COMPLIANT PIN AREA: 0.5 μm MIN BRIGHT TIN-LEAD OVER BASE PLATING
 - △ CONNECTOR MARKED WITH PART NUMBER AND DATE CODE IN APPROXIMATE AREA SHOWN
 - △ DIMENSION APPLIES TO CENTERLINE OF THRU HOLE.
 - △ DATUMS AND BASIC DIMENSIONS ESTABLISHED BY CUSTOMER.
7. CONTACT AREA LUBRICATED WITH BELLCORE APPROVED LUBRICANT. TECHNICAL REFERENCE: GR-1217-CORE, ISSUE 1, NOVEMBER 1995.



1469325-1
PART NUMBER

THIS DRAWING IS A CONTROLLED DOCUMENT.		OWN S. J. MAGARO 09JUL2003	TE Connectivity
DIMENSIONS: mm		CHK R. A. PATTERSON 09JUL2003	
TOLERANCES UNLESS OTHERWISE SPECIFIED:		APV B. PATTERSON 16MAY2007	NAME RECEPTACLE ASSEMBLY, 2 PAIR, 25mm, HMZd
0 PLC ± 1 PLC ± 2 PLC ± 3 PLC ± 4 PLC ± ANGLES ±		PRODUCT SPEC	SIZE CAGE CODE DRAWING NO
MATERIAL		APPLICATION SPEC	A100779C=1469325
FINISH		WEIGHT	RESTRICTED TO
CUSTOMER DRAWING		SCALE 8:1	SHEET 1 OF 1 REV E

单击下面可查看定价，库存，交付和生命周期等信息

[>>TE Connectivity\(泰科\)](#)