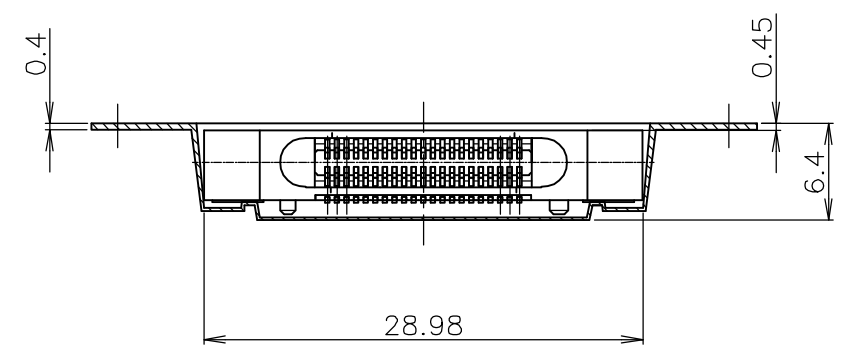
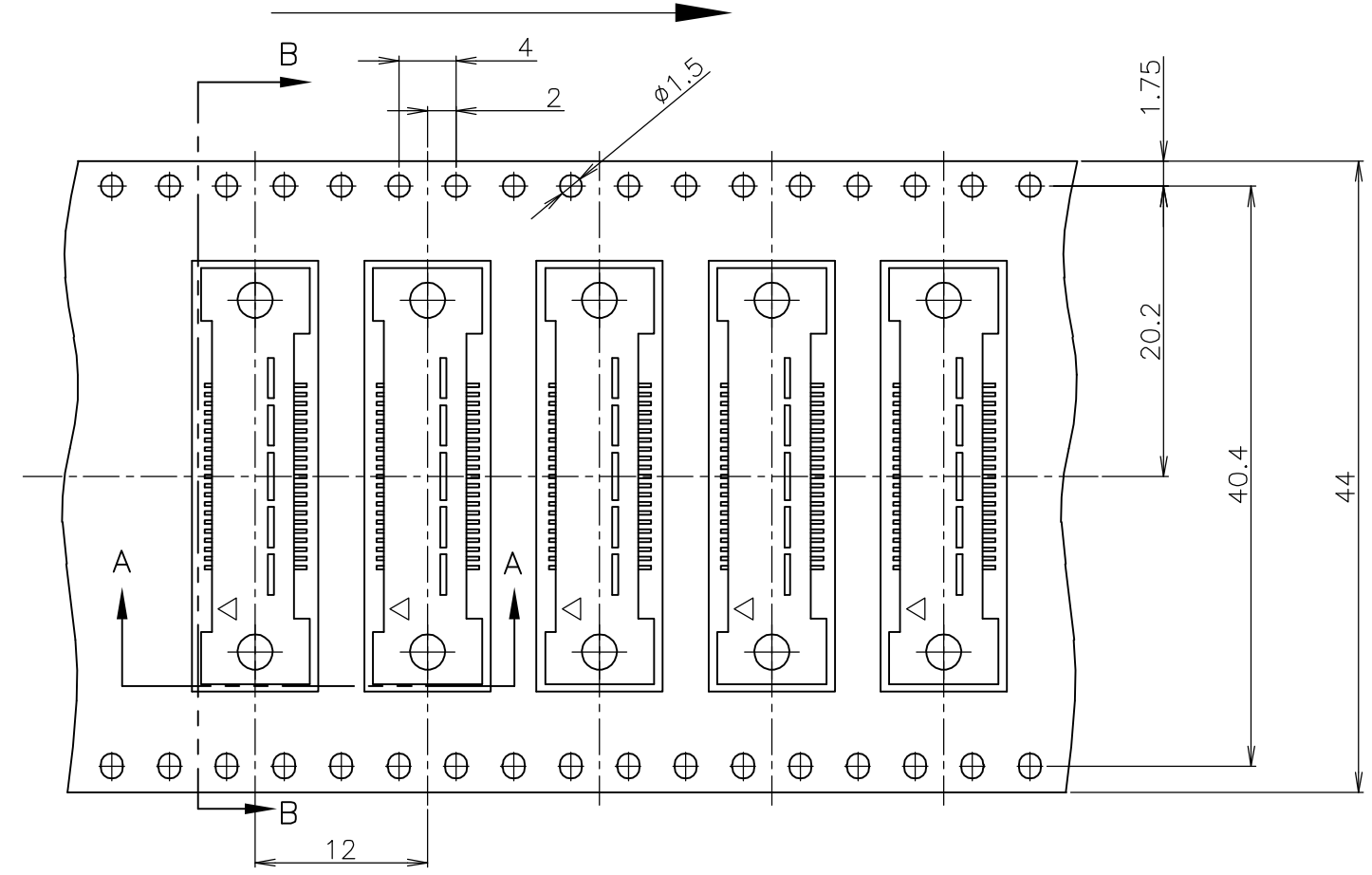


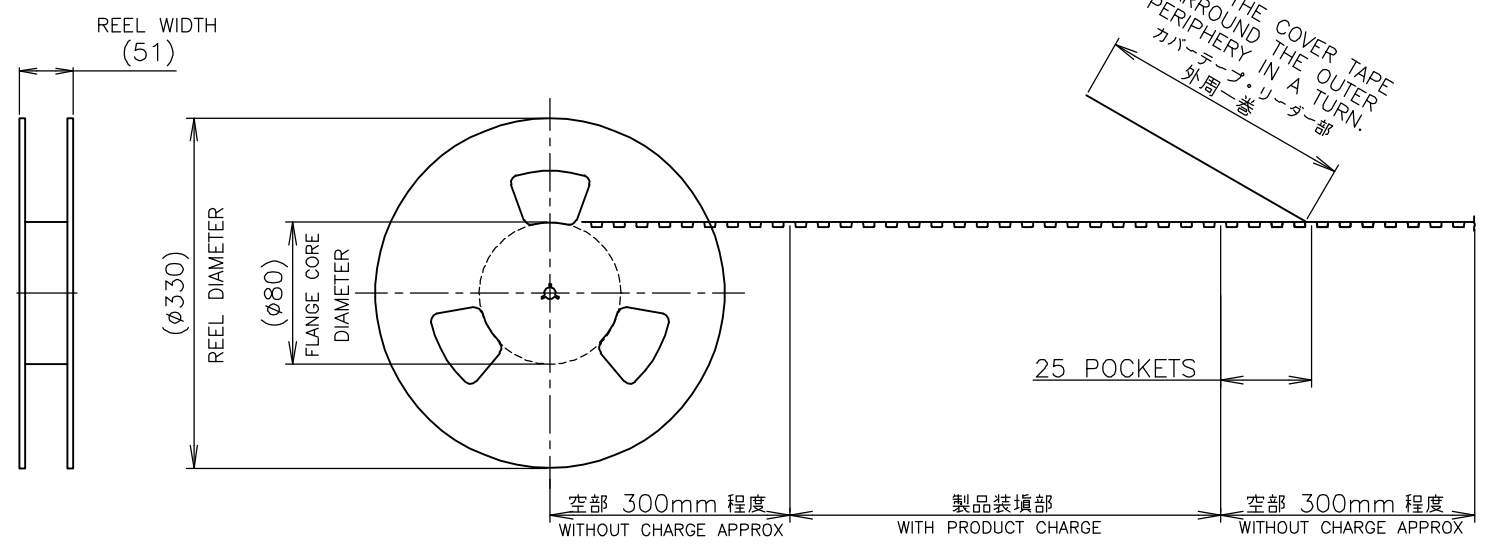
THIS DRAWING IS UNPUBLISHED. RELEASED FOR PUBLICATION JAN , 2005.
 © COPYRIGHT 2005 BY TYCO ELECTRONICS CORPORATION. ALL RIGHTS RESERVED.

LOC	DIST	REVISIONS				
		P	LTR	DESCRIPTION	DATE	DWN
J		A	RELEASED	29NOV05	H.F	Y.Y

リール引き出し方向
DIRECTION OFF TOP OF REEL



WINDING THE COVER TAPE
AROUND THE OUTER
PERIPHERY IN A TURN.
カバーテープ・リール部
外周一巻



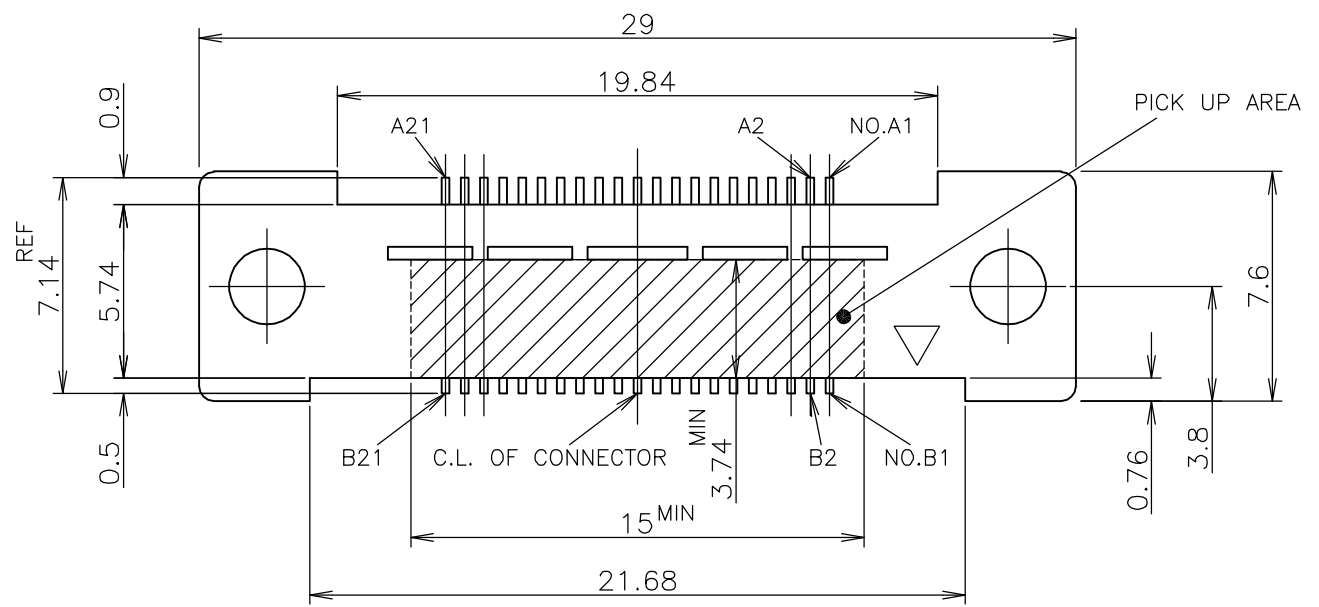
△ 材料;
エンボステープ : PS
カバーテープ : PET

△ MATERIAL ;
EMBOSS TAPE : PS
COVER TAPE : PET

THIS DRAWING IS A CONTROLLED DOCUMENT.		DWN	H.FUKUZAKI	29NOV05	Tyco Electronics AMP K.K. Kawasaki, Japan
DIMENSIONS: 単位: 耗 mm		CHK	H.FUTATSUGI	29NOV05	
TOLERANCES UNLESS OTHERWISE SPECIFIED: 一般公差		APVD	Y.YAMAMOTO	29NOV05	
0-PLC ± 1-PLC ± ±0.3 2-PLC ± 3-PLC ± 4-PLC ± ANGLES ±3°		PRODUCT SPEC 製品規格 108-78235		NAME 名称 EMBOSS ASSY 0.635mm PITCH BAY CONN. RECEPTACLE.	
MATERIAL 材料 △		FINISH 仕上		APPLICATION SPEC 取付適用規格	
		WEIGHT		SIZE A3	
		CUSTOMER DRAWING		CAGE CODE 00779	
				DRAWING NO C-1903260	
				RESTRICTED TO	
				SCALE 尺度 NTS	
				SHEET 1 OF 3	
				REV A	

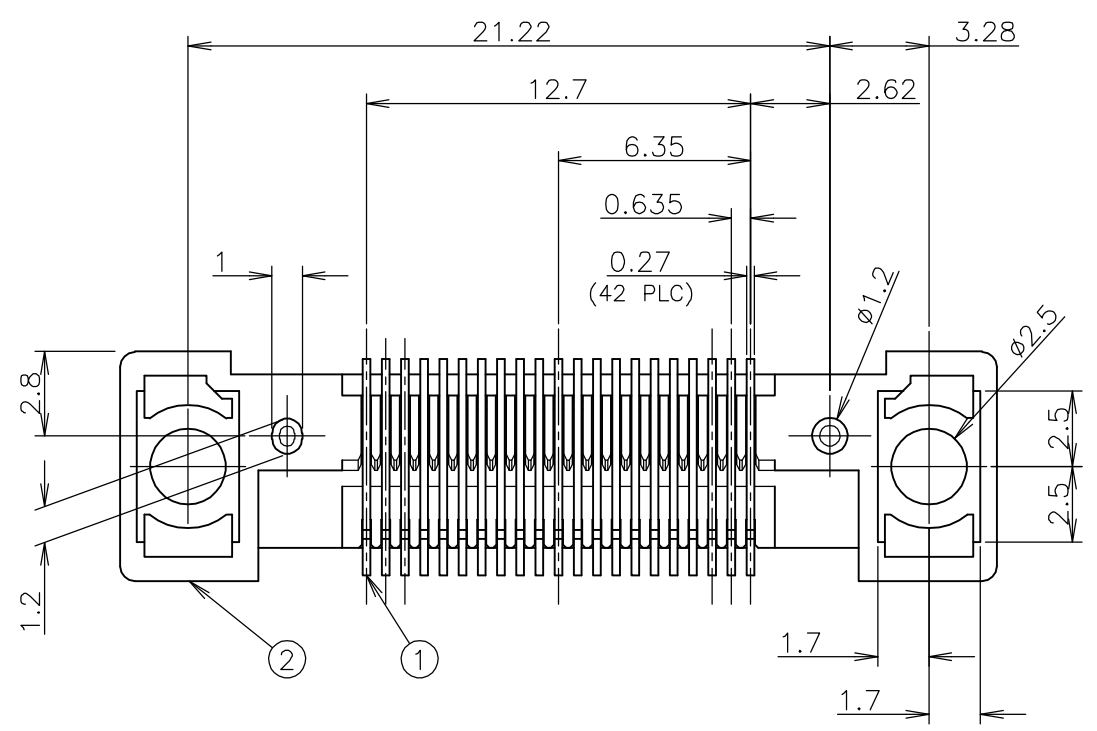
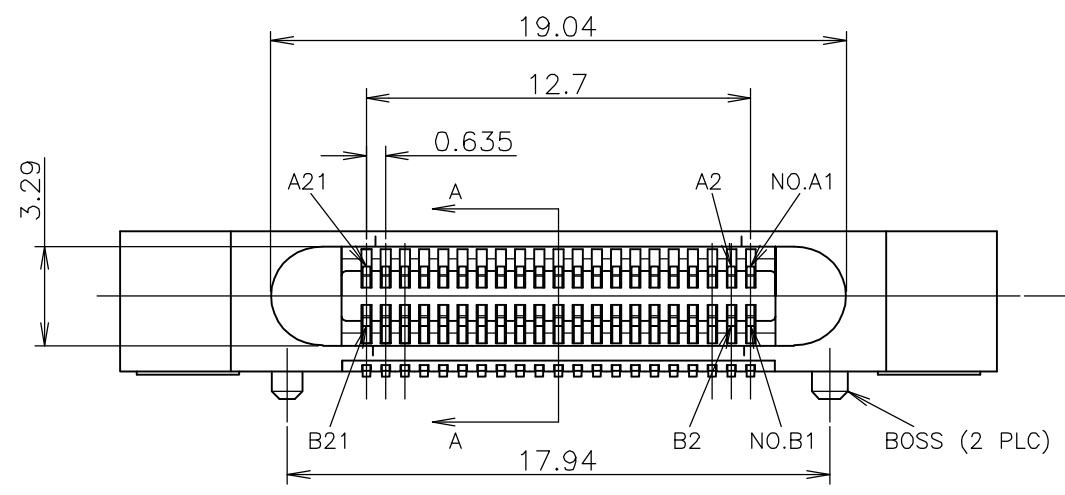
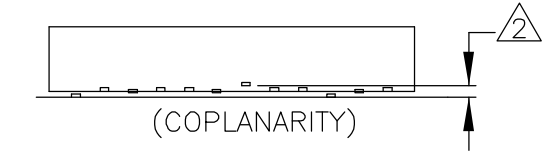
THIS DRAWING IS UNPUBLISHED. RELEASED FOR PUBLICATION
 © COPYRIGHT BY TYCO ELECTRONICS CORPORATION. ALL RIGHTS RESERVED.

LOC	DIST	REVISIONS		
		P	LTR	DESCRIPTION
J	/	-	-	SEE SHEET 1



注記
 1 材質:
 ハウジング; 熱可塑性樹脂 (UL94V-0, 黒色)
 コンタクト; 銅合金
 仕上げ; 全面ニッケル下地めっき
 接点部 金めっき
 はんだ付け部 すずめっき
 △ コネクタを平坦面に置き、タインの浮きは0.1以下。
 3 一般公差: ±0.3, ±3°

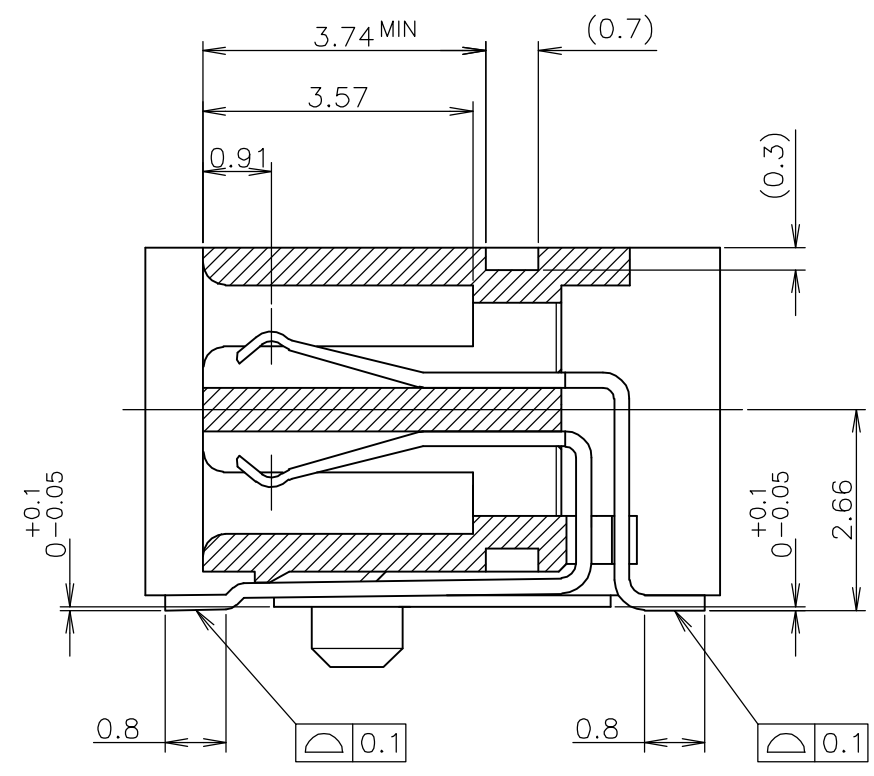
NOTE
 1 MATERIAL
 HOUSING : THERMO-PLASTICS(UL94V-0,BLACK)
 CONTACT : COPPER ALLOY
 FINISH : ALL OVER Ni UNDER PLATING.
 Au PLATING ON CONTACT AREA
 Sn PLATING ON TINE AREA
 △ MUST BE MEASURED FLOATING AMOUNT OF TINE
 FROM DATUM SURFACE IS 0.1 MAX.
 3 GENERAL TOLERANCE : ±0.3,±3°



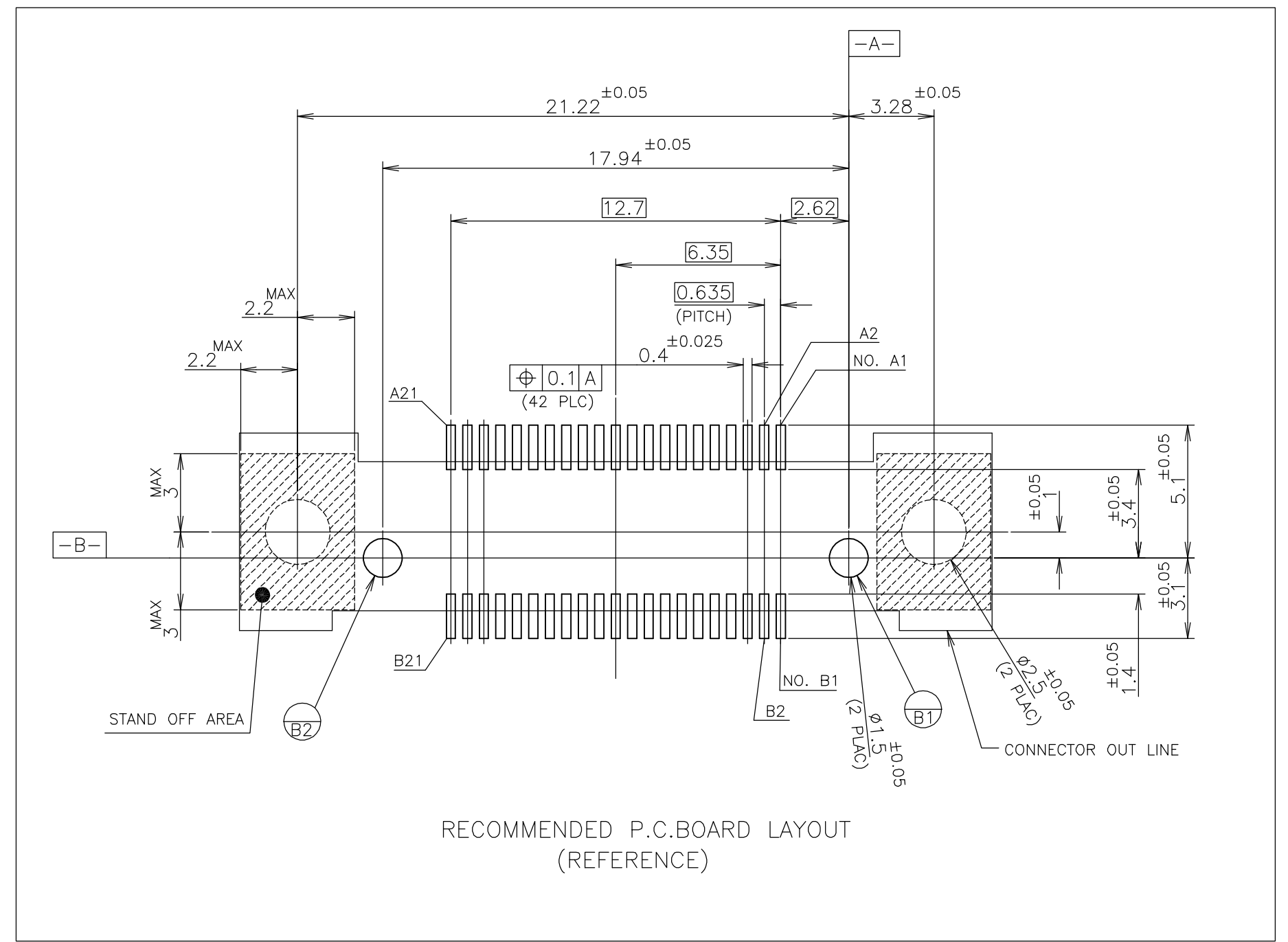
THIS DRAWING IS A CONTROLLED DOCUMENT.		DWN	Tyco Electronics AMP K.K.	
DIMENSIONS: 単位: 耗 mm		CHK	Kawasaki, Japan	
TOLERANCES UNLESS OTHERWISE SPECIFIED: 一般公差		APVD	NAME 名称	
0 PLC ± -		PRODUCT SPEC 製品規格	EMBOSS ASSY	
1 PLC ± -		APPLICATION SPEC 取付適用規格	0.635mm PITCH BAY CONN. RECEPTACLE	
2 PLC ± -		WEIGHT	SIZE A3	CAGE CODE 00779
3 PLC ± -		CUSTOMER DRAWING	DRAWING NO 番号 C-1903260	RESTRICTED TO
4 PLC ± -			SCALE 尺度 4:1	SHEET 2 OF 3
ANGLES ± -				REV A
FINISH 仕上				

THIS DRAWING IS UNPUBLISHED. RELEASED FOR PUBLICATION
 © COPYRIGHT BY TYCO ELECTRONICS CORPORATION. ALL RIGHTS RESERVED.

LOC	DIST	REVISIONS		
J	/	P	LTR	DESCRIPTION
				DATE
				DWN
				APVD
		SEE SHEET 1		



SECT A-A
(SCALE 10:1)



RECOMMENDED P.C.BOARD LAYOUT
(REFERENCE)

THIS DRAWING IS A CONTROLLED DOCUMENT.		DWN	Tyco Electronics AMP K.K. Kawasaki, Japan		
DIMENSIONS: 単位: 耗 mm	TOLERANCES UNLESS OTHERWISE SPECIFIED: 一般公差	CHK	NAME 名称		
	0 PLC ± -	APVD	EMBOSS ASSY		
	1 PLC ± -	PRODUCT SPEC	0.635mm PITCH BAY CONN. RECEPTACLE		
	2 PLC ± -	APPLICATION SPEC	SIZE	CAGE CODE	DRAWING NO
	3 PLC ± -	取付適用規格	A3	00779	C-1903260
4 PLC ± -	FINISH 仕上	WEIGHT	RESTRICTED TO		
MATERIAL 材料		CUSTOMER DRAWING			SCALE 尺度 5:1
			SHEET	3 OF 3	REV A

单击下面可查看定价，库存，交付和生命周期等信息

[>>TE Connectivity\(泰科\)](#)