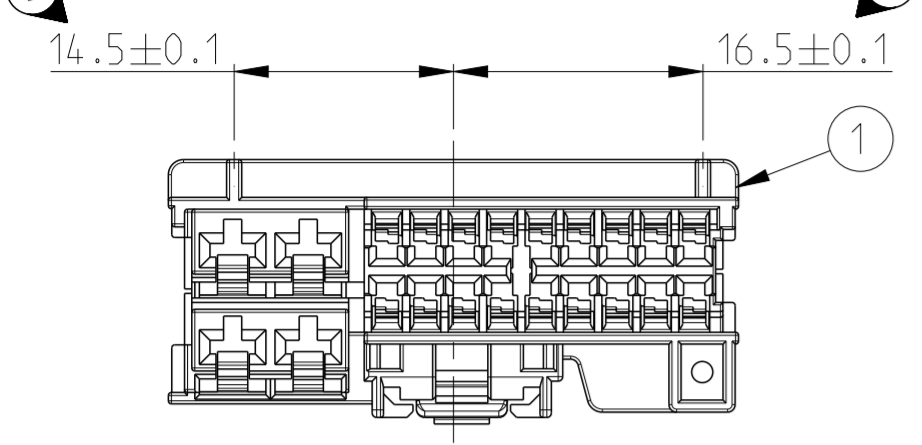
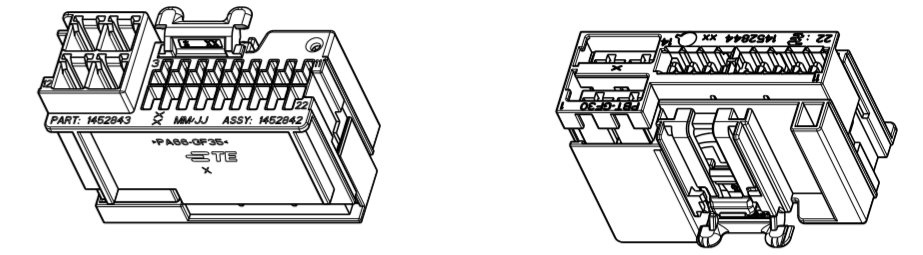
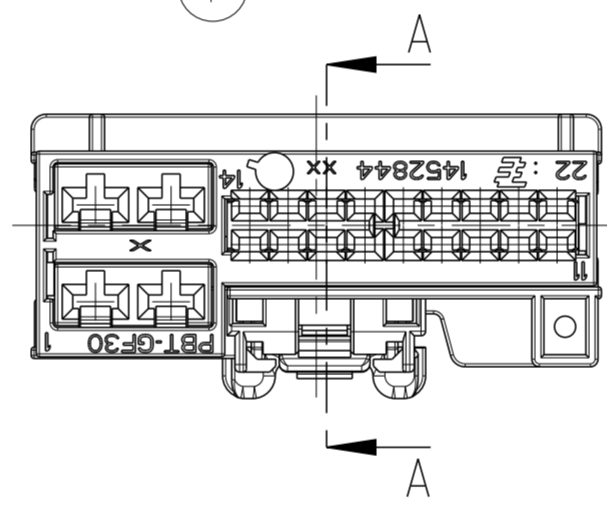
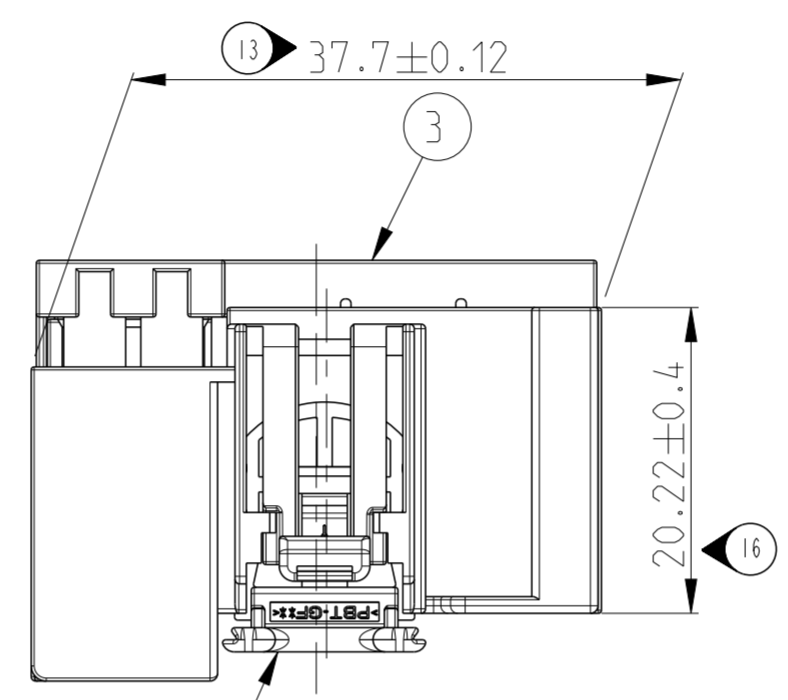
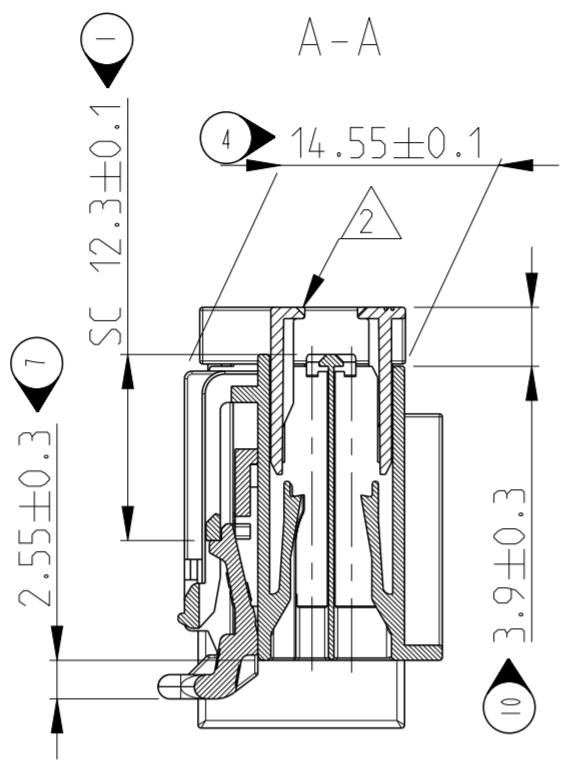
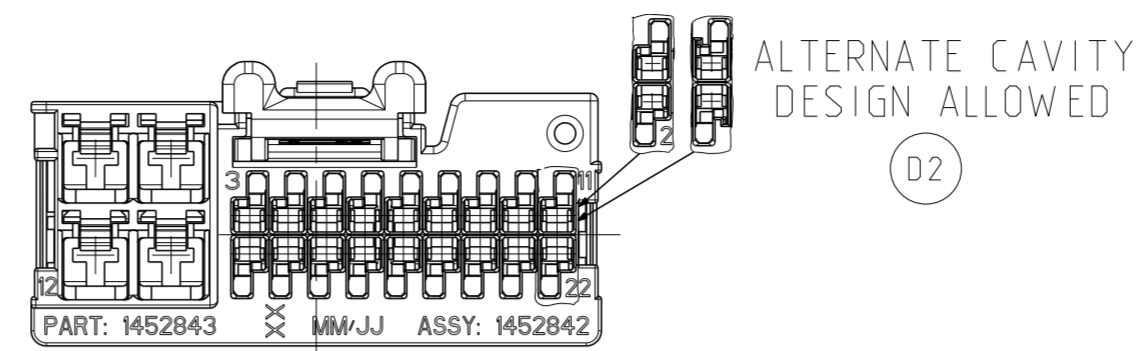
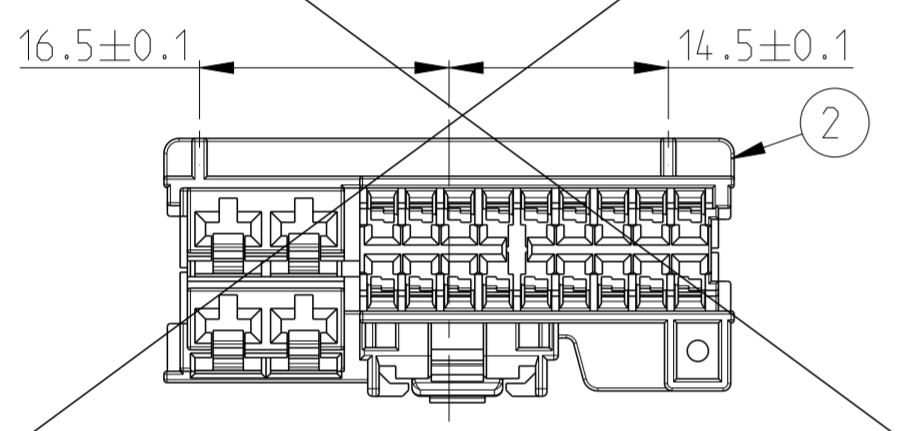


LOC	DIST	REVISIONS			
P	LTR	DESCRIPTION	DATE	DWN	APVD
A1	-	D1	E-11-007076	05APR2011	BF KR
		D2	ECR-14-018619	12DEC2014	SS PT

**CODING A / Kodierung A**  
**0-1452842-3 BLACK / schwarz**  
**1-1452842-3 GREY / grau**



**CODING B / Kodierung B**  
**0-1452842-2 BLACK / schwarz**



- NOTES:  
Bemerkungen:
- 1 MATED WITH TE-PN 114-18633  
Passend zu TE-PN 114-18633
  - 2 DELIVERY CONDITION: SPACER IN PRE-LOCKED POSITION  
Anlieferungszustand: Spacer in Vorraststellung
  - 3 CONTACT SYSTEM: GET AND FORD CAT 3  
Kontaktsystem: GET und FORD CAT 3
  - SC SIGNIFICANT CHARACTERISTIC  
Significantes Merkmal
  - 4 INTERFACE SIGNAL PINS DIMENSIONS  
FROM 0.64 x 0.64 mm TO 1.2 x 0.64 mm  
Dimensionen der Stifte in der Schnittstelle  
von 0.64 x 0.64 mm bis 1.2 x 0.64 mm
- PART NUMBER 0-1452842-1 SUPERSEADED BY 0-1452842-3  
AND 1-1452842-1 SUPERSEADED BY 1-1452842-3
- LATEST VALID REVISION OF 0-1452842-1 AND 1-1452842-1  
SEE TE-DRAWING 1452842 REV.C2

FORD CAT 0	9U5T-14474-MA	0-1719958-1	TIN PLATE	0.50-0.75 mm <sup>2</sup>	GET 2ND GENERATION
		9U5T-14474-LA	0-1719957-1	TIN PLATE	0.22-0.35 mm <sup>2</sup>
	3F2T-14474-RA	0-1393366-1	TIN PLATE	0.50-0.75 mm <sup>2</sup>	GET
	3F2T-14474-SA	0-1393367-1	TIN PLATE	0.22-0.35 mm <sup>2</sup>	GET
	1L2T-14474-CA	0-1393365-1	GOLD PLATE	0.50-0.75 mm <sup>2</sup>	GET
	1L2T-14474-DA	0-1393364-1	GOLD PLATE	0.22-0.35 mm <sup>2</sup>	GET
FORD CAT 3	97BG-14474-BAA	YAZAKI PART	TIN PLATE	0.35 mm <sup>2</sup>	
	1F1T-14474-LA	0-1326030-1	TIN PLATE	0.35 mm <sup>2</sup>	
	97BG-14474-BBA	YAZAKI PART	TIN PLATE	0.75-1.0 mm <sup>2</sup>	
	1F1T-14474-BA	0-1326030-2	TIN PLATE	0.75-1.0 mm <sup>2</sup>	
	97BG-14474-BCA	YAZAKI PART	TIN PLATE	1.5-2.5 mm <sup>2</sup>	
	1F1T-14474-CA	0-1326030-3	TIN PLATE	1.5-2.5 mm <sup>2</sup>	
	1F1T-14474-DA	0-1326030-4	TIN PLATE	2.5-4.0 mm <sup>2</sup>	
	TERMINALS FORD PN Ford Kontakt PN	TERMINALS TE PN TE Kontakt PN	FINISH Oberflaeche	WIRE SIZE (mm <sup>2</sup> ) Drahtquerschnitt (mm <sup>2</sup> )	NOTES Bemerkungen

1x	1x	-	-	-	-	-	PBT-GF20	CPA UNSEALED	RED	4
1x	1x	1x	1x	1x	1x	1x	PBT-GF30	22POS. SPACER	RED	3
-	-	1x	-	-	-	-	PA66-GF35	22POS. FEMALE HOUSING CODING B	BLACK	2
1x	-	-	1x	-	1x	-	PA66-GF35	22POS. FEMALE HOUSING CODING A	GREY	1
-	1x	-	-	1x	-	1x	PA66-GF35	22POS. FEMALE HOUSING CODING A	BLACK	1
							MATERIAL	DESCRIPTION	COLOUR	ITEM NO
REVISION OF EACH ASSY NO (WHEN BLANK, USE DWG REVISION)										
WEIGHT OF EACH ASSY NO (G)										
8.05	8.05	7.70	7.70	7.70	7.70	7.70	TE-ASSY PN			
1-1452842-9	0-1452842-9	0-1452842-2	1-1452842-3	0-1452842-3	1-1452842-1	0-1452842-1	CUSTOMER PN			
							CODING			

THIS DRAWING IS A CONTROLLED DOCUMENT.

DIMENSIONS: mm

TOLERANCES UNLESS OTHERWISE SPECIFIED:

0 PLC	±
1 PLC	±
2 PLC	±
3 PLC	±
4 PLC	±
ANGLES	±5°
FINISH	

DWN: G.PUCKEL 05FEB2004  
 CHK: K.ROTH 05FEB2004  
 APVD: G.MUMPER 05FEB2004

NAME: 22 POS. FEMALE HOUSING ASSY (18 x GET 1.2 AND 4 x YAZAKI 2.8)

SIZE: A2 CAGE CODE: 100779 DRAWING NO: C-1452842 RESTRICTED TO: -

SCALE: 2:1 SHEET 1 OF 1 REV: 02

Customer Drawing

单击下面可查看定价，库存，交付和生命周期等信息

[>>TE Connectivity\(泰科\)](#)