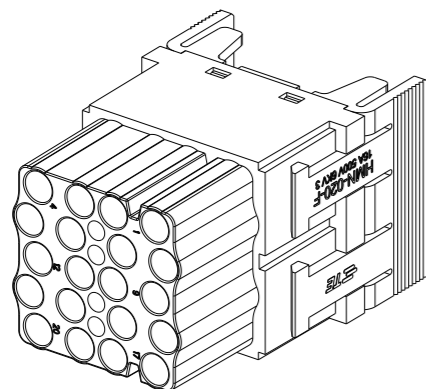


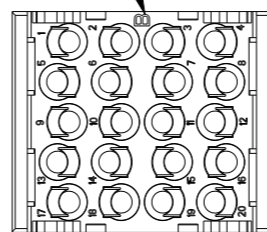
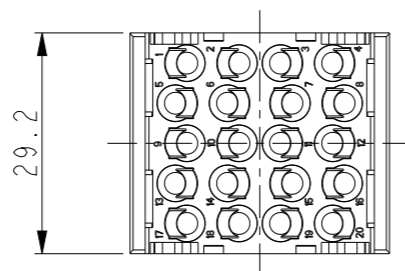
REVISIONS

P	LTR	DESCRIPTION	DATE	DWN	APVD
	A	INITIAL	25MAR2015	DW	CW
	B	ECR-15-018270	08DEC2015	DW	CW
	BI	ECR-18-004560	27MAR2018	CH	CW
	C	ECR-21-111798	29SEP2021	WQR	CW



TYPE-1: T2111202201-000
 类型-1: T2111202201-000

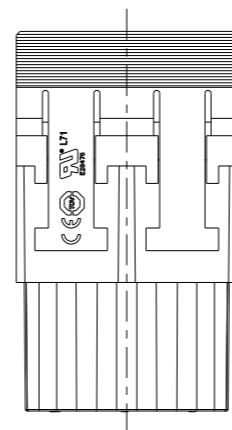
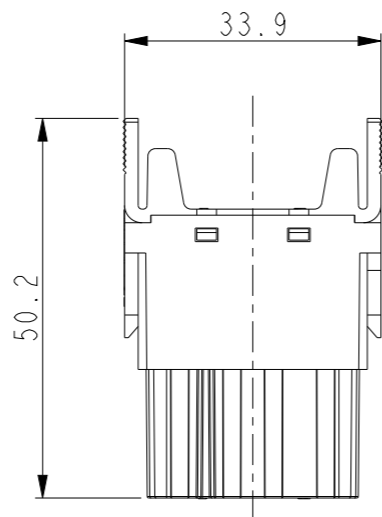
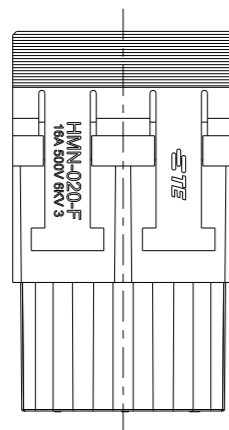
LASER PRINT MARKING, ARIAL FONT,
 HEIGHT 2mm, LOCATION PER ACTUAL POSITION
 激光打标, ARIAL 字体, 字高2mm, 位置按实际情况调整.



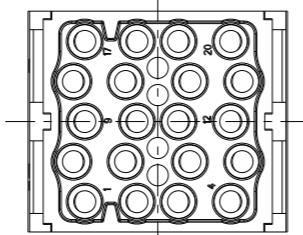
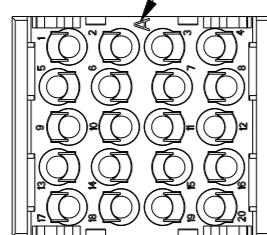
TYPE-3: T2111202201-B00,
 THIS TYPE IS SAME AS TYPE-1,
 ONLY ADD LASER PRINT MARKING "B"
 类型-3: T2111202201-B00
 此类型同类型-1, 只是增加了激光打标"B".

- NOTES:
- TECHNICAL CHARACTERISTICS:
 INSULATION MATERIAL: PC
 RATED VOLTAGE: 500V
 RATED CURRENT: 16A
 INSULATION RESISTANCE: $\geq 400M\Omega$
 RATED IMPULSE VOLTAGE: 6KV
 POLLUTION DEGREE: 3
 FLAMMABILITY: UL94V-0
 MATING CYCLES: 500 CYCLES
 OPERATION TEMPERATURE: $-40\sim+125^{\circ}C$
 WIRE RANGE: $0.14\sim 4.0\text{ mm}^2$ (26~12 AWG)
 CONTACT TYPE: CRIMP CONTACT
 - CONTACT NEED TO BE ORDERED SEPARATELY.
 (ORDER No. REFER TO DRAWING:T20300X20XX000)

- 注释:
- 技术参数:
 绝缘材料: PC
 额定电压: 500V
 额定电流: 16A
 绝缘电阻: $\geq 400M\Omega$
 额定脉冲电压: 6KV
 污染等级: 3
 阻燃等级: UL94V-0
 插拔次数: 500次
 工作温度: $-40\sim+125^{\circ}C$
 接线范围: $0.14\sim 4.0\text{ mm}^2$ (26~12 AWG)
 接线类型: 冷压接
 - 端子需要单独订购.
 (订货号参考图面: T20300X20XX000)




LASER PRINT MARKING, ARIAL FONT,
 HEIGHT 2mm, LOCATION PER ACTUAL POSITION
 激光打标, ARIAL 字体, 字高2mm, 位置按实际情况调整.



TYPE-2: T2111202201-A00,
 THIS TYPE IS SAME AS TYPE-1,
 ONLY ADD LASER PRINT MARKING "A"
 类型-2: T2111202201-A00
 此类型同类型-1, 只是增加了激光打标"A".

T2111202201-B00	HMN-020-F	HMN-020 FEMALE MODULE INSERT, MARK B HMN-020 模块母插, 打B标识	TYPE-3 类型-3
T2111202201-A00	HMN-020-F	HMN-020 FEMALE MODULE INSERT, MARK A HMN-020 模块母插, 打A标识	TYPE-2 类型-2
T2111202201-000	HMN-020-F	HMN-020 FEMALE MODULE INSERT HMN-020 模块母插	TYPE-1 类型-1
PART NUMBER 料号	PART DESCRIPTION 描述		TYPE 类型

THIS DRAWING IS A CONTROLLED DOCUMENT.		DWN 25MAR2015 DAVID.WANG	 TE Connectivity			
		CHK 25MAR2015 CHRIS.WANG				
		APVD 25MAR2015 XIANG.XU				
DIMENSIONS: mm		PRODUCT SPEC 108-137063	NAME HMN-020-F			
TOLERANCES UNLESS OTHERWISE SPECIFIED: 0 PLC \pm - 1 PLC \pm - 2 PLC \pm - 3 PLC \pm - 4 PLC \pm - ANGLES \pm -		APPLICATION SPEC 114-137063	SIZE A3	CAGE CODE 00779	DRAWING NO G-T2111202201000	RESTRICTED TO
MATERIAL -		WEIGHT -	SCALE 1:1		SHEET 1 OF 1	REV C
		CUSTOMER DRAWING				

单击下面可查看定价，库存，交付和生命周期等信息

[>>TE Connectivity\(泰科\)](#)